

HCAI Seismic Certification

for Vektor®-CH and Vektor®-CS

HCAI Seismic Certification Preapproval

HCAI Special Seismic Certification Preapproval includes the Vektor-CH and Vektor-CS models under OSP-503. Use the following pages as guidance for selecting appropriate construction and approved accessories, determining corner weights and bracket heights for isolator selection, and calculating the fan centerline for installation purposes or coordinating layouts with third-party supplied equipment.

HCAI Construction and Accessories

To be considered HCAI approved, models must be per the items listed in the Approved Construction section.

HCAI Approved Construction

- Sizes 12-30
- Arrangement 10
- Class II
- Welded scroll
- Spark C
- Single fan, no bypass air plenum (BAP)*
- Isolation base (isolators by others)
- Baldor motor

HCAI Approved Options and Accessories

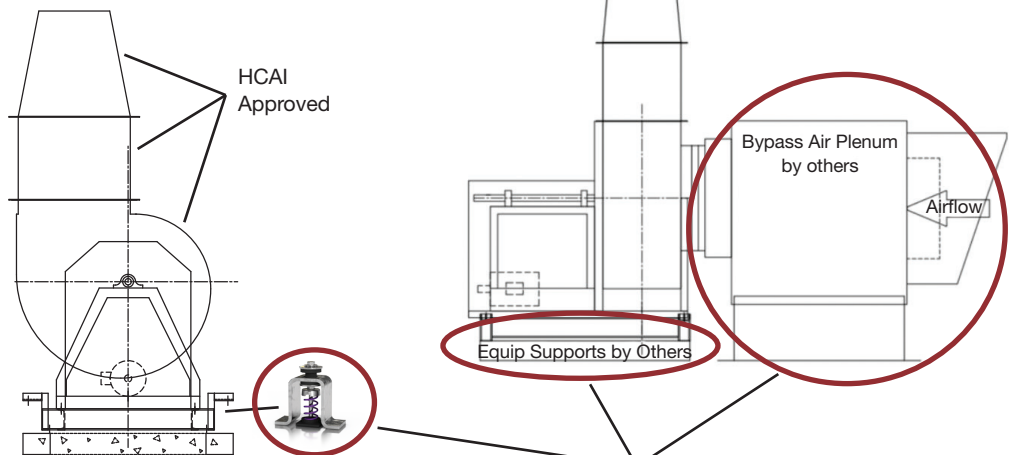
- Weatherhood (motor cover)
- Sure-Aire™ probes and/or electronics
- Disconnect switch**
- Extended lube lines (copper or nylon)
- Extended life bearings (80k or 200k)
- Inlet and outlet flanges (slip fit or punched)
- Bolted access door

*CAPS® requires bypass air plenums on all Vektor-CS selections and on Vektor-CH selections with multiple fans. At this time, customers will need a Special Design Request (SDR) to remove the bypass air plenum from an order.

**Consult factory for approved switches.

The above construction and accessories are the only items included in HCAI Special Seismic Certification Preapproval.

Any selection in CAPS® of different construction or accessories, other than those listed above, cannot be supplied with that certification.

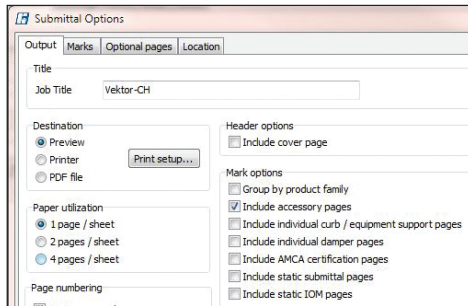


Common accessories not included with HCAI Special Seismic Certification Preapproval

The following directions are guidelines for finding the fan corner weights and determining fan centerline dimension. Information required to make these calculations is found on the fan submittal in CAPS. After the fan is selected and configured per HCAI construction, verify that under the Isolation question that the Isolation Type is *Ht. Saving Base* and Isolator Deflection is *Spring, Restrained, 1Inch*. The isolators showing on the submittal are for example only and will not be supplied by Greenheck for HCAI applications.

NOTE: an SDR will be used to remove the list price associated with the isolators.

When printing the submittal, select the *Include accessory pages* found in the Mark options section.



Corner Weight Determination

View the page titled *Isolator Base* in the submittal – the corner weights are listed, corners A through D, in the fan configuration section (see image below). These weights should be used in sizing the isolators.

Isolation Base
Type: Ht. Saving Base

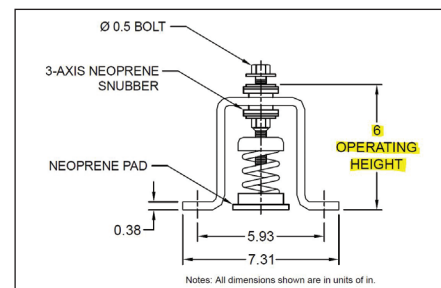
Standard Construction Features:
Structural steel channel. Welded construction. Pre-punched mounting holes for fan and isolator mounting. Height savings brackets for isolator mounting.

Fan Configuration

Model:	VEKTOR-CS-33-10-II	Discharge Position:	UB
Arrangement:	10	Class:	II
Rotation:	CW	Motor Frame Size:	284T
Motor Position:	Centered	Isolator/Deflection:	Spring, Restrained, 1 Inch
Corner Weight A (lb):	654	Corner Weight B (lb):	531
Corner Weight C (lb):	582	Corner Weight D (lb):	479

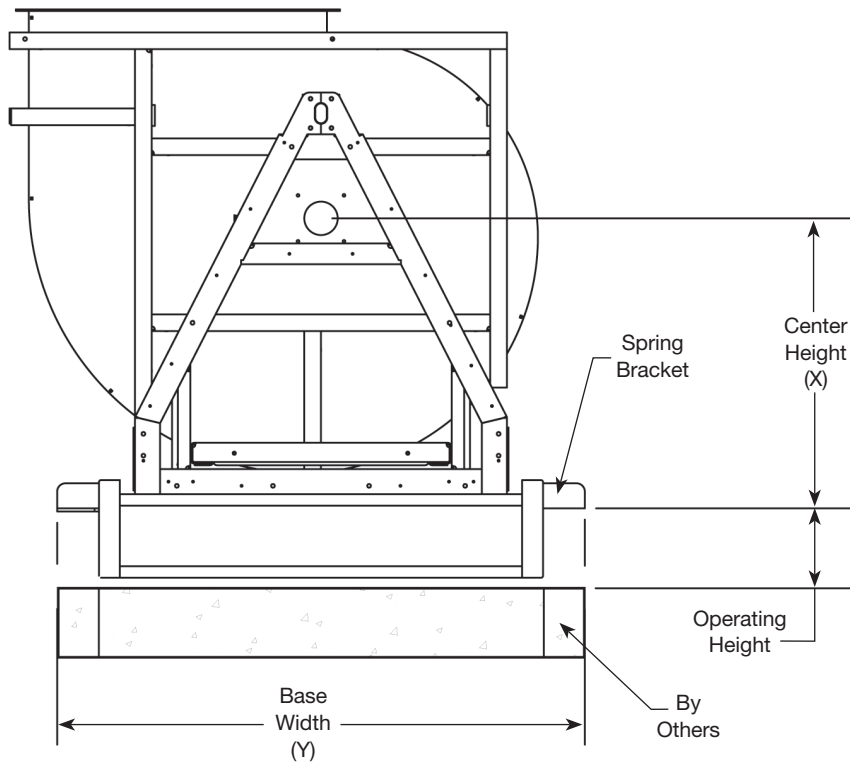
Corner Height Determination

1. Determine the New Operating Height of the isolator provided by the isolator manufacturer.
2. Use the drawing and fan size to determine the Center Height (Dimension X).
3. Determine the Fan Centerline Height:
 - a. New Operating Height (Step 1) + Center Height (Step 2) = Fan Centerline Height
4. Determine the operating height of the Greenheck sample isolator located on the Isolators page in the fan submittal (see image):
 - b. Call this dimension Old Operating Height.
 - c. CAUTION: The New Operating Height must be equal to or greater than the Old Operating Height. This ensures the fan rests on the isolators.
 - d. Use the Old Operating Height to determine the clearance hole provided for isolators.



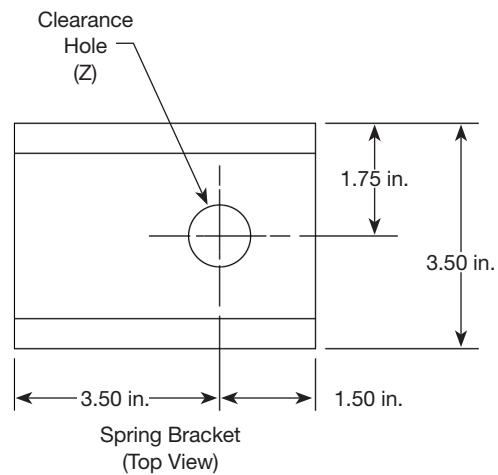


Use the drawing below to calculate the fan centerline for installation purposes and to coordinate system layout with third-party supplied equipment.



Fan Centerline Distances		
Size 12	X=24.11"	Y=39.22"
Size 15	X=28.01"	Y=43.58"
Size 18	X=29.01"	Y=43.58"
Size 22	X=33.81"	Y=48.94"
Size 24	X=36.51"	Y=51.96"
Size 27	X=39.54"	Y=55.30"
Size 30	X=43.14"	Y=59.32"

Operating Height	Z
6.00"	0.563"
7.56"	0.688"



For more information regarding the Greenheck Vektor-C Series and HCAI Special Seismic Certification Preapproval, visit www.greenheck.com or consult your local Greenheck sales representative.



HCAI Seismic Certification Preapproval