

Plenum

APD-24
Arrg. 4



APH-24
Arrg. 1



APM-24
Arrg. 4



Model APD is AMCA Licensed for Air and Sound Performance and Efficiency

Model APH and APM are AMCA Licensed for Sound and Air Performance

Best Available Program
5 Days

Models APD, APH and APM Direct and Belt Drive

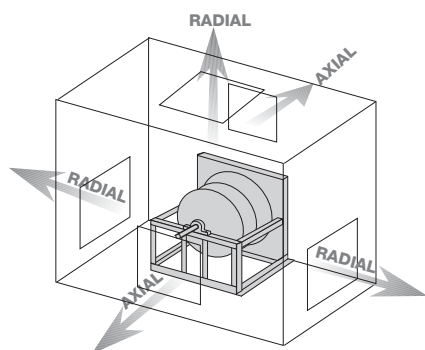
Plenum fans are designed for clean air handling applications where the fan operates unhoused within a pressurized plenum with airstream temperatures up to 200°F. The compact size of the plenum fan makes it an excellent selection for retrofit and replacement applications and in variable air volume systems.





Quick Build Performance

Capacities up to 70,000 cfm and 7 in. wg of static pressure.

Standard Construction	APD	APH	APM
Wheel - powder coated steel, backward curved, 7-bladed	■		
Wheel - aluminum, airfoil, 12-bladed		■	■
Heavy-gauge spun inlet cone	■	■	■
Minimum bearing life of L ₁₀ 80,000 hours (Average life - L ₅₀ 400,000 hours)		■	
Minimum bearing life of L ₁₀ 40,000 (80,000 optional) hours (Average life - L ₅₀ 400,000 hours)			■
Final assembly vibration analysis	■	■	Optional
Options and Accessories			
Protective cage		■	■
Guard - inlet	■	■	■
Totally enclosed belt guard		■	■
Inlet collars, flanges, and screens		■	■
Extended lube line kit		■	■
Decorative or protective powder coating		■	■
Isolation base		■	■
Sure-Aire™, airflow monitoring	■	■	■

Typical Installation



	Mounting	Model	Arrangement
 APH	Horizontal* Motor on Base Belt Drive	APH	1, 3
 APM	Horizontal** Motor on Frame (Top) Belt Drive	APH, APM	3
 APH	Horizontal** Motor on Frame (Side) Belt Drive	APH, APM	3
 APD	Horizontal Direct Drive	APD, APH, APM	4

*Arrangement 1 & 3 units with horizontal mounting must be mounted on an isolation base.

**Not available with isolation base.