

## Assembly Instructions

**READ THROUGH THESE INSTRUCTIONS PRIOR TO STARTING ASSEMBLY.**

### Document Instructions

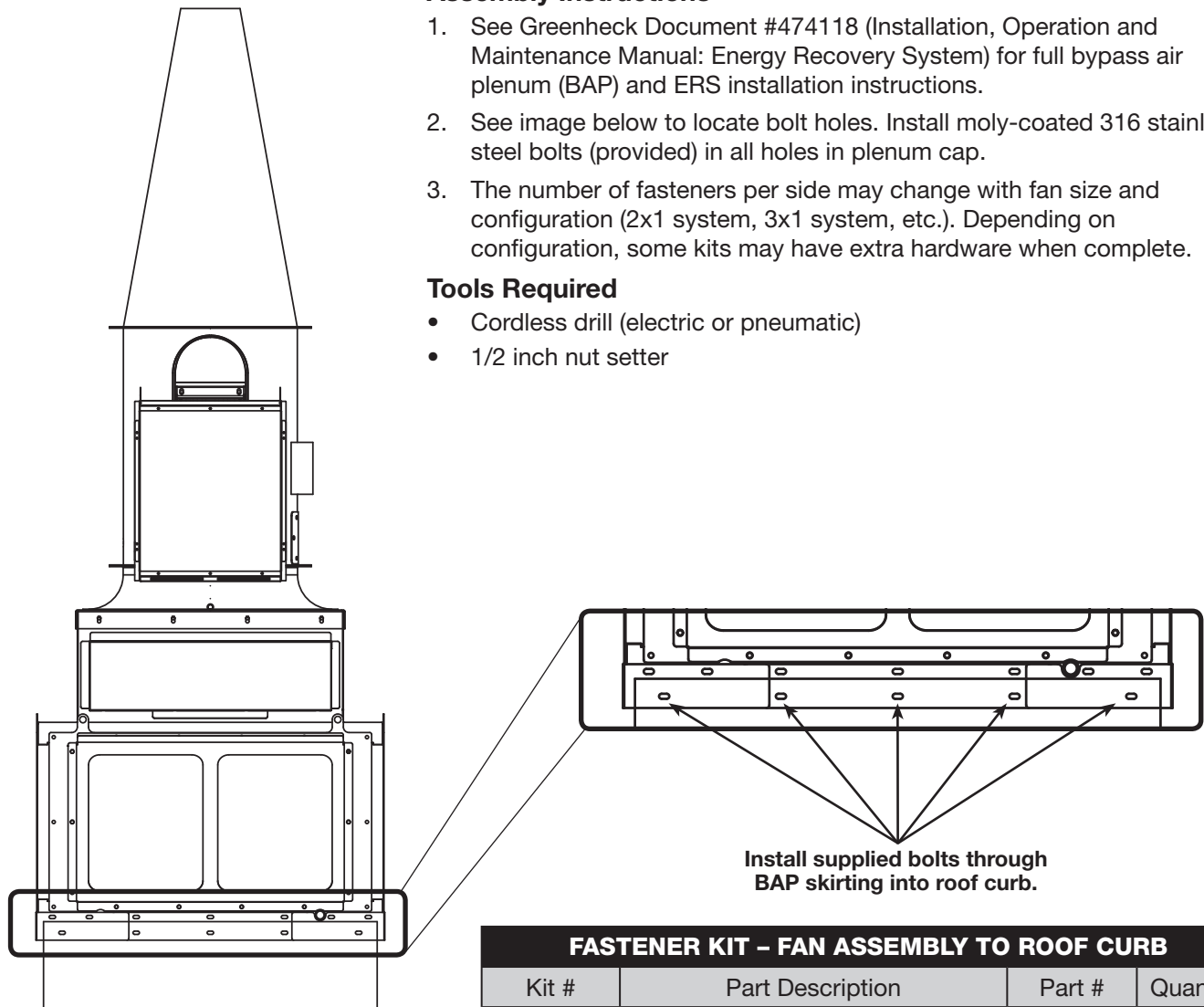
Use Document #1016918 with fastener kits 915003-915006. This kit is to be used with the Vektor-M Energy Recovery System (ERS). The fasteners contained within the kit are to be used to attach the fan assembly to the roof curb. Use images located within this document to locate the position of the fasteners on the unit.

### Assembly Instructions

1. See Greenheck Document #474118 (Installation, Operation and Maintenance Manual: Energy Recovery System) for full bypass air plenum (BAP) and ERS installation instructions.
2. See image below to locate bolt holes. Install moly-coated 316 stainless steel bolts (provided) in all holes in plenum cap.
3. The number of fasteners per side may change with fan size and configuration (2x1 system, 3x1 system, etc.). Depending on configuration, some kits may have extra hardware when complete.

### Tools Required

- Cordless drill (electric or pneumatic)
- 1/2 inch nut setter



### FASTENER KIT – FAN ASSEMBLY TO ROOF CURB

Kit #	Part Description	Part #	Quantity
915003	CS,HH,.313-18X2,SS,316,MOLY	416980	23
915004			30
915005			35
915006			45