

Assembly and Installation Instructions

Please read and save these instructions for future reference. Read carefully before attempting to assemble, install, operate or maintain the product described. Protect yourself and others by observing all safety information. Failure to comply with instructions could result in personal injury and/or property damage! Upon receiving the product, check for any damage that may have occurred during transit and report it immediately to the shipper. Also verify that all accessory items are accounted for.

STEP 1: Unpack and Inspect Parts

Part Description	Quantity	ERV-90	ERV-120
		Part #	Part #
Roof Curb Kit			
12-inch	1	851721	851822
16-inch	1	851720	851823
End Channel			
1. 12-inch	2	700197	702035
2. 16-inch	2	700253	702036
Non-Supply Side Channel			
12-inch		657259	702039
16-inch		657262	702040
Side Channel			
12-inch	2	657254	702037
16-inch	2	657261	702038
Duct Adaptor (12 & 16 in. high curbs)			
Inner Duct Channel	1	700195	702042
Inner Cross Channel	1	700199	702045
Duct Cross Channel	1	700193	702044
Outer Duct Channel	1	700194	702043
Hardware Kit	1	852902	852902
3/8-16 x 3/4 Serrated Flange Bolts	24	415459	415459
3/8-16 x 3/4 Serrated Flange Nuts	24	415457	415457
Screws, SMS (A) 12 x 0.625 (IHH)	36	415180	415180

SPECIAL TOOLS REQUIRED

- Cordless drill
- 5/16 in. Nut setter
- 9/16 in. Nut setter
- Open or Closed 9/16 in. wrench
- Awl — for hole alignment

STEP 2: Assemble Main Curb

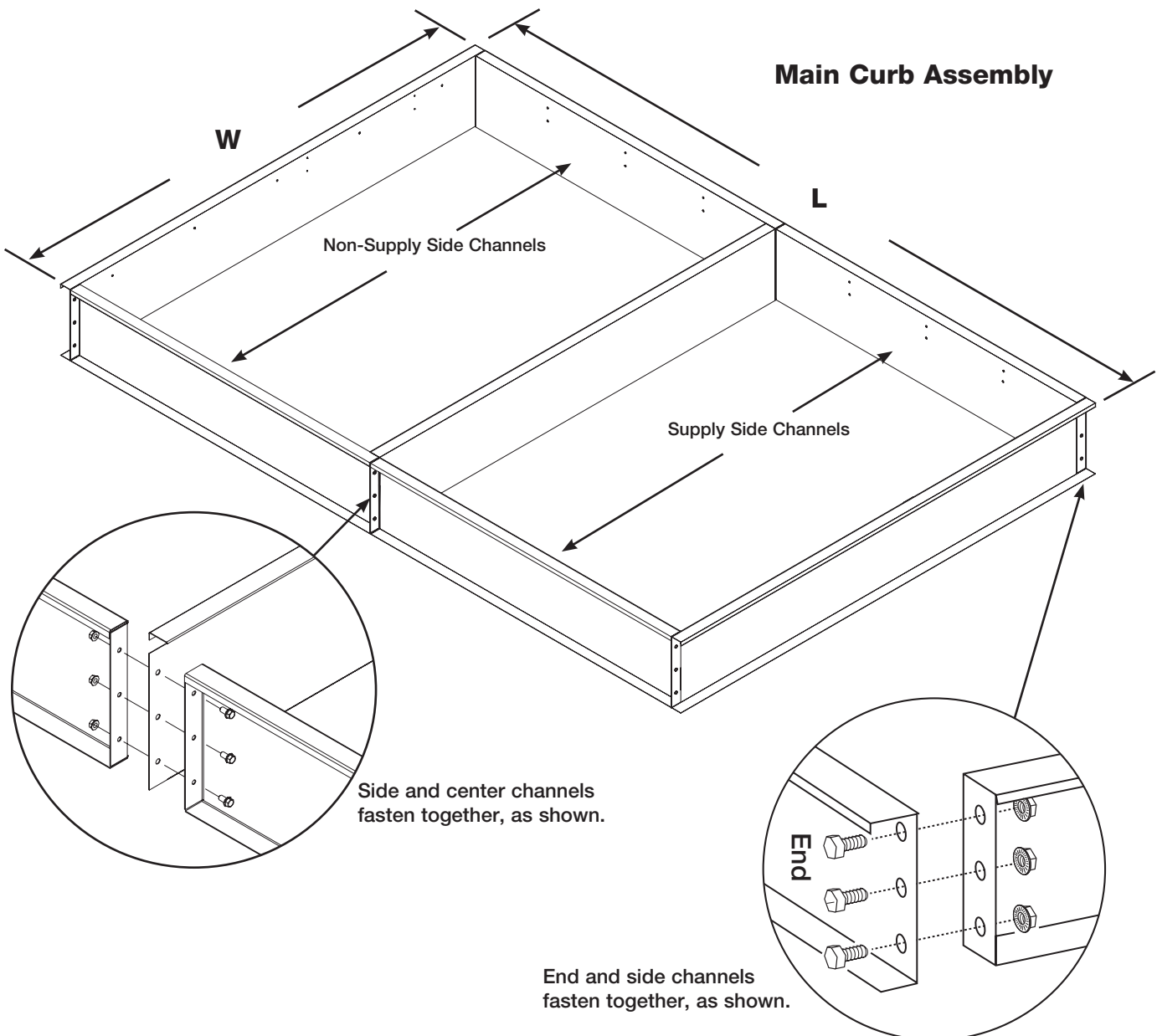
Hardware Required: (24) $\frac{3}{8}$ -16 x $\frac{3}{4}$ Serrated Flange Bolts
 (24) $\frac{3}{8}$ -16 x $\frac{3}{4}$ Serrated Flange Nuts
 (2) End Channels
 (1) Center Channel
 (2) Non-Supply Side Channels
 (2) Supply Side Channels

Instructions:

- See **Main Curb Assembly** for positioning the Side, Center, and End Channels.
- Align the holes and fasten as shown below.

Channel Lengths and Overall Curb Dimensions						
	Non-Supply Length	Supply Length	End Length	Center Length	L	W
ERV-90	58.37	58.63	80.50	80.50	120.50	80.50
ERV-120	64.88	73.87	92.75	92.75	142.25	92.75

All dimensions in inches.

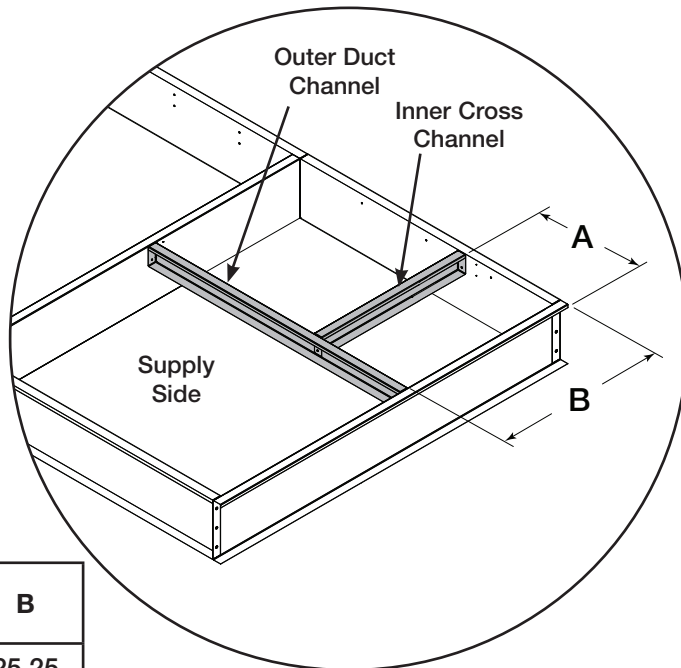


IMPORTANT! *The following steps are for ductwork support. These steps are required only if the ductwork will be installed prior to the ERV unit.*

STEP 3: Fastening Inner Cross and Outer Duct Channel

Hardware Required: (8) Screws, SMS (A) 12 x 0.625 (IHH)
 (1) Inner Cross Channel
 (1) Outer Duct Channel

- Instructions:**
- Position the Outer Duct Channel as depicted.
 - Align the holes and fasten using (4) 12 x 0.625 (IHH) screws.
 - Position the Inner Cross Channel as depicted.
 - Align the holes and fasten using (4) 12 x 0.625 (IHH) screws.



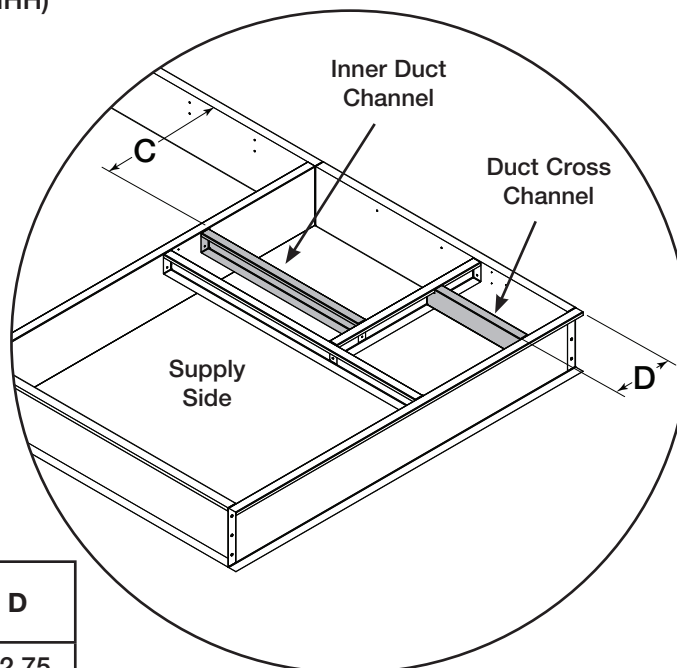
	Inner Cross Length	Outer Duct Length	A	B
ERV-90	23.50	58.60	22.13	25.25
ERV-120	34.50	74.00	35.75	36.25

All dimensions in inches.

STEP 4: Fastening Inner Duct and Duct Cross Channels

Hardware Required: (8) Screws, SMS (A) 12 x 0.625 (IHH)
 (1) Duct Cross Channel
 (1) Inner Duct Channel

- Instructions:**
- Position the Inner Duct Channel as depicted.
 - Align the holes and fasten using (4) 12 x 0.625 (IHH) screws.
 - Position the Duct Cross Channel as depicted.
 - Align the holes and fasten using (4) 12 x 0.625 (IHH) screws.

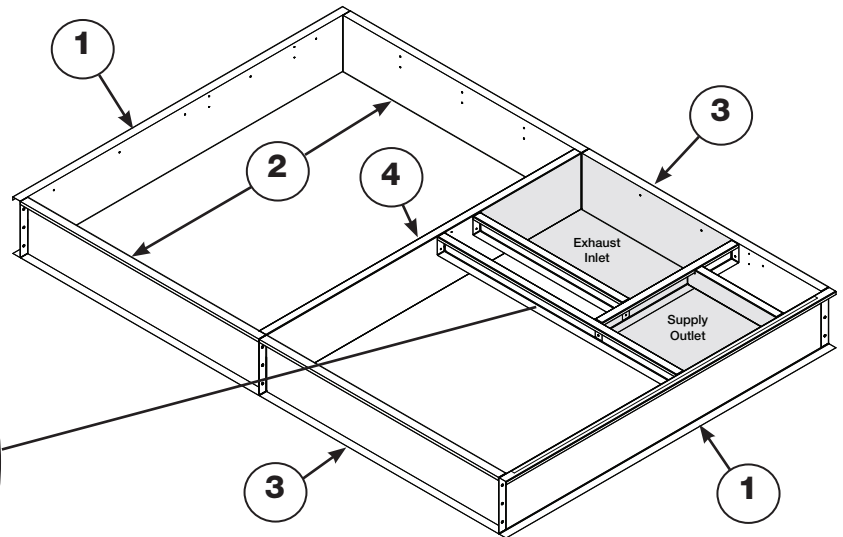
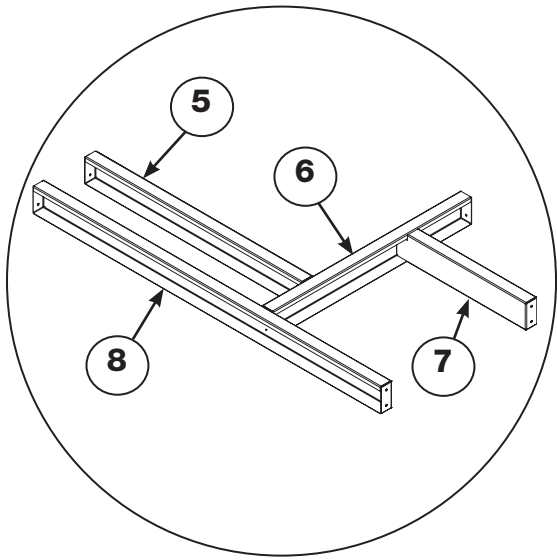


	Duct Cross Length	Inner Duct Length	C	D
ERV-90	22.13	36.50	27.70	12.75
ERV-120	35.75	38.12	32.25	13.00

All dimensions in inches.

ERV-90: Final Roof Curb Assembly

Duct Adaptor Assembly



ERV-120: Final Roof Curb Assembly

Duct Adaptor Assembly

