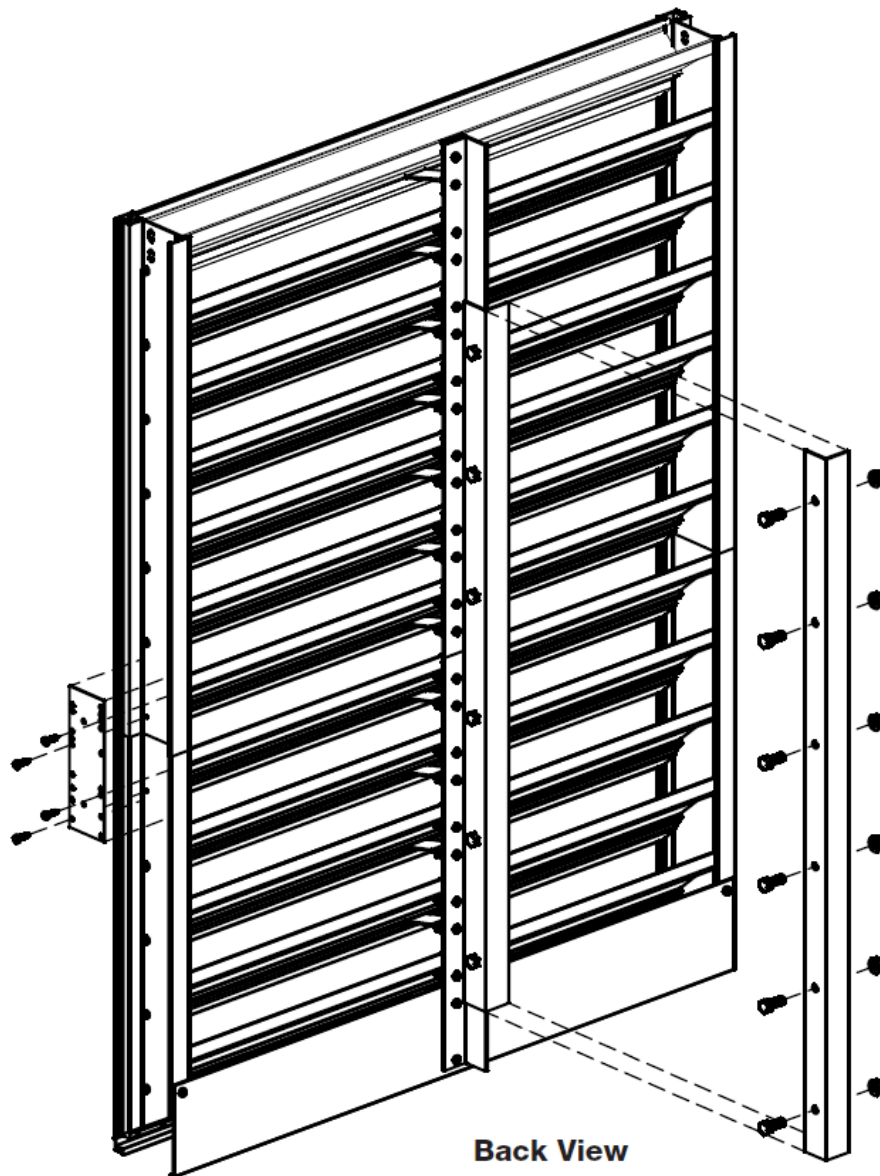


## Installation, Operation and Maintenance Manual

Please read and save these instructions for future reference. Read carefully before attempting to assemble, install, operate or maintain the product described. Protect yourself and others by observing all safety information. Failure to comply with these instructions will result in voiding of the product warranty and may result in personal injury and/or property damage.



# INSTALLATION GUIDELINES

## Step 1

Attach the 36" angle splice to the lower section with 18" above the lower section. (See "TOP VIEW" for orientation of angle splice.)

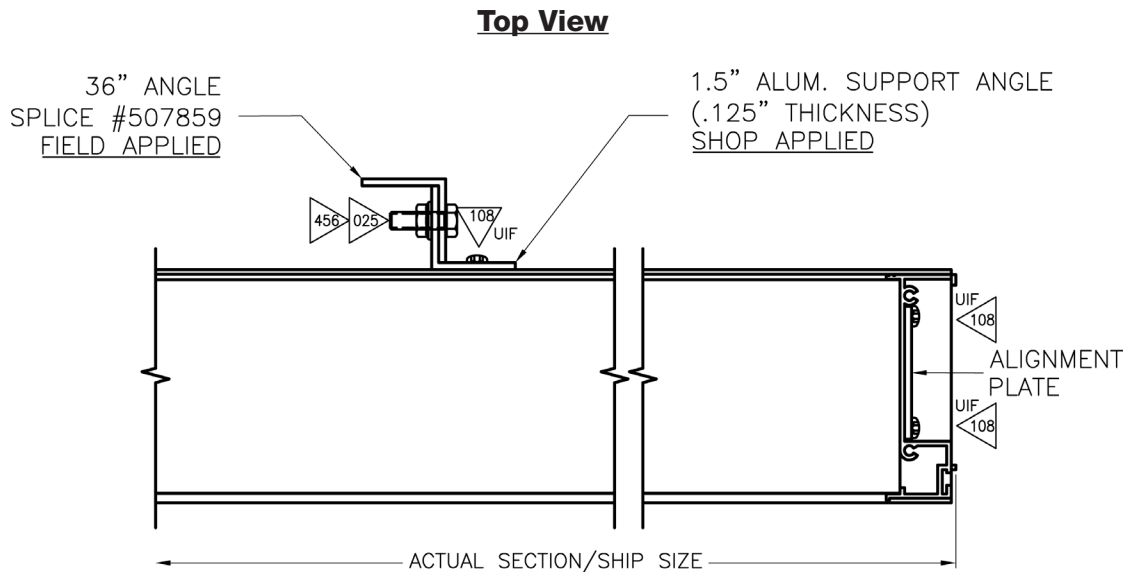
## Step 2

Drill 3/8" holes in the support angle on both the upper and lower sections to match with the 36" splice angle.

## Step 3

Attach the splice angle with 5/16" bolts. Six (6) bolts per splice angle are required.

NOTE: Please reference the Alignment Plate IOM if alignment plates are to be field installed.



### These fasteners supplied by Greenheck

025	5/16-18x1 HH ZP CS
456	5/16-ZP Spin-Lock Nut
108	#10-16 x3/4 TPH 18-8 SS

## Our Commitment

*As a result of our commitment to continuous improvement, Greenheck reserves the right to change specifications without notice.*

Product warranties can be found online at [Greenheck.com](http://Greenheck.com), either on the specific product page or in the literature section of the website at [Greenheck.com/Resources/Library/Literature](http://Greenheck.com/Resources/Library/Literature).

