

These instructions are for installing vertical mount fire and combination fire smoke dampers in a fire resistant ventilation duct (UL Ventilation duct Assembly HNLN.V-5)

Refer to:

'Installation Instructions for FD, DFD, DFD X series, and FD X series Fire Damper Models' (Part #481324)

or

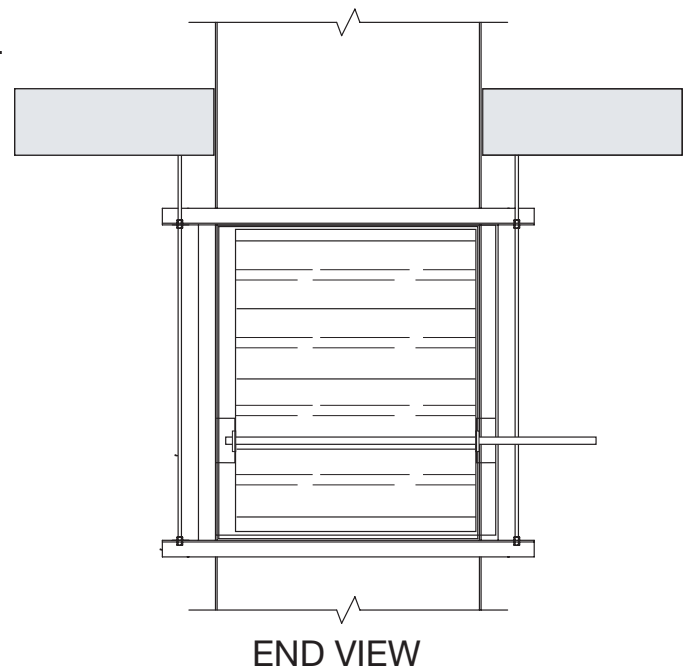
'Installation Instructions for FSD-XXX, DFD-XXX, and SSFSD-XXX Series Fire & Combination Fire Smoke Dampers' (Part #481318)

or

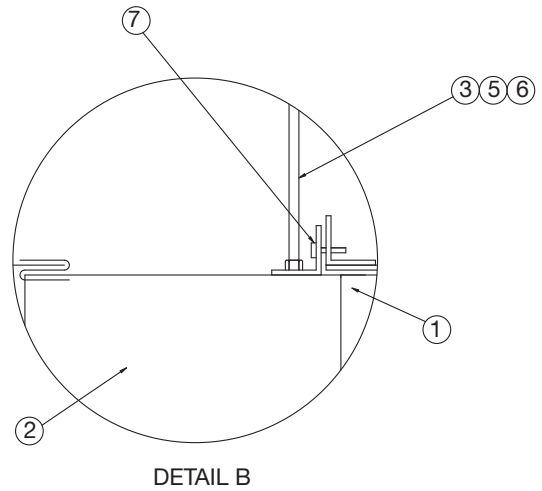
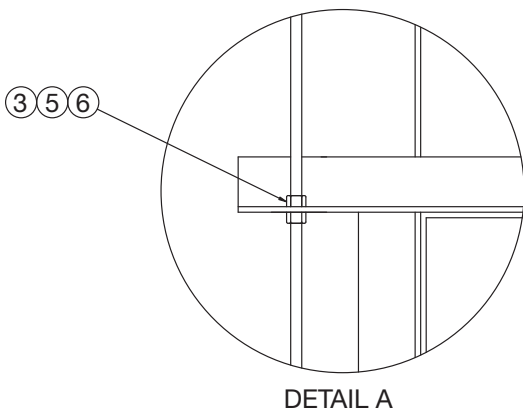
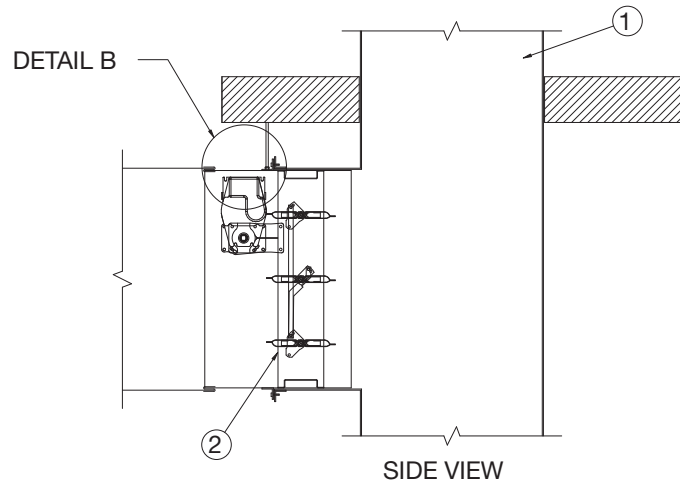
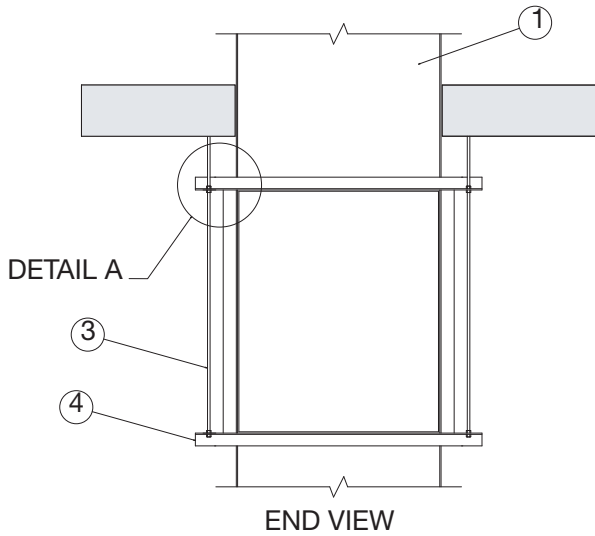
"Installation Instructions for OFSD, ODFD, OFD, and OSSFD Series Dampers" (Part #461337) for additional details.



- 1) The damper sleeve must slip inside the fire resistant duct spool. Damper sleeve assembly will be ¼ in. (6 mm), ½ in. (13 mm) maximum, smaller than duct spool size.
- 2) Damper is to be supplied with factory mounted sleeve. Sleeve gauge will be minimum of 16 ga. (1.5 mm) for dampers up to 36 in. wide x 24 in. (914 mm x 610 mm) high and 14 ga. (2 mm) for dampers exceeding 36 in. wide x 24 in. high (914 mm x 610 mm).
- 3) Mounting angles need to be the following sizes:
 - 1½ in. x 1½ in. x ¼ in. up to 24 in. (38 mm x 38 mm x 6 mm up to 610 mm)
 - 2 in. x 2 in. x ¼ in. over 24 in. up to 32 in. (51 mm x 51 mm x 6 mm over 610 mm up to 813 mm)
 - 2½ in. x 2½ in. x ¼ in. over 32 in. up to 40 in. (64 mm x 64 mm x 6 mm over 813 mm up to 1016 mm)
 - 3 in. x 3 in. x ¼ in. above 40 in. (76 mm x 76 mm x 6 mm above 1016 mm)
- 4) Mounting angle fasteners:
 - #10 bolts or screws
 - ⅜ in. (4.7 mm) steel rivets
 - ½ in. (13 mm) long welds
- 5) Mounting Angle Fasteners Spacing:
 - Mounting angles to dampers, space fasteners on 6 in. (152 mm) on center.
 - Mounting angle to spool flange, space fasteners on 12 in. (305 mm) on center.
 - Minimum 2 fasteners per side
- 6) Hanger rods:
 - ⅜ inch threaded rod anchored to the floor above and attached to the mounting angles through hole in the angles and secured with hex nut and washer (Items 5 & 6). Anchor to masonry per assembly No. V-5.
- 7) Duct to Damper Sleeve Connection:
 - See the fire damper or the combination fire smoke installation instructions for breakaway, flanged, or non-breakaway connections.



Item	Description
1	Fire resistant ventilation duct (UL HNLN Assembly No. V-5)
2	Fire damper or combination fire smoke damper
3	Hanger rods in accordance with assembly no. V-5
4	Mounting angles (see instruction #3)
5	3/8 in. (10 mm) hex nuts
6	3/8 in. (10 mm) flat washer
7	Mounting angle fasteners (see instructions #4)



Our Commitment

As a result of our commitment to continuous improvement, Greenheck reserves the right to change specifications without notice.

Product warranties can be found online at Greenheck.com, either on the specific product page or in the literature section of the website at Greenheck.com/Resources/Library/Literature.

