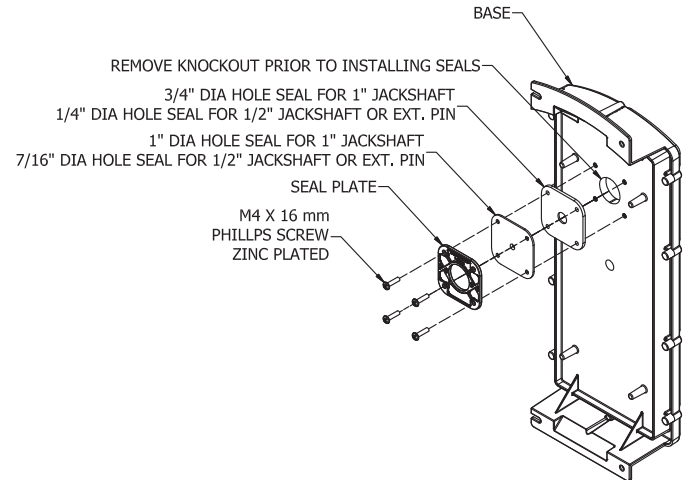
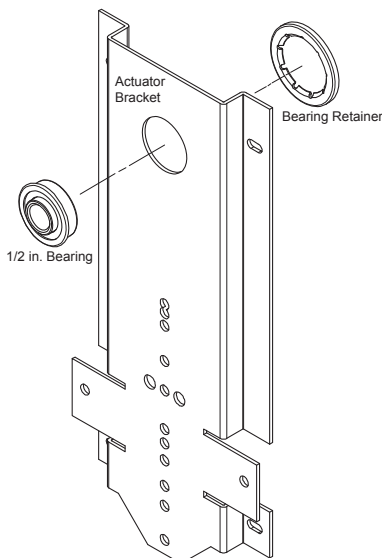


### Instructions

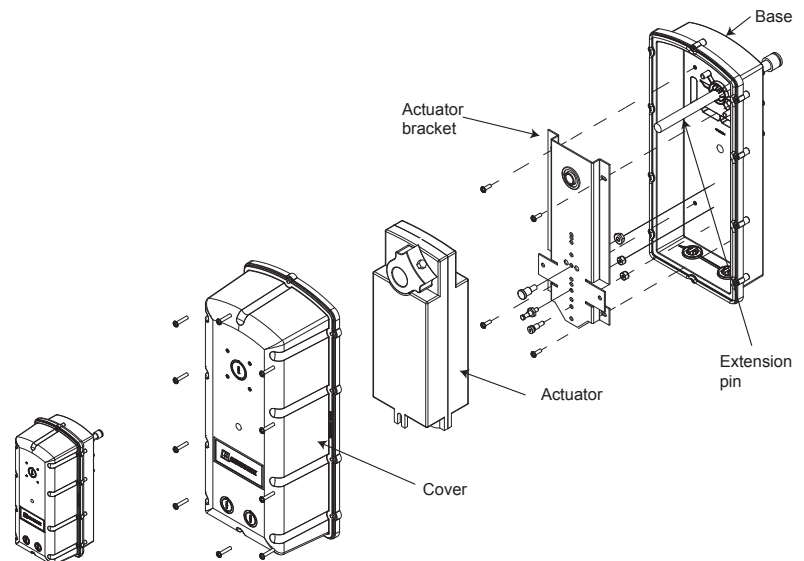
1. Knock-out shaft hole in enclosure base (see **Figure 1**).
2. Install shaft gasket in enclosure base using M4 x 12 mm phillips pan head screws (included)
  - a. See **Figure 1** to determine which gaskets to use depending the diameter of the damper's extension pin or jackshaft.
3. Mount actuator bracket to enclosure base
  - a. If 1 in. jackshaft remove 1/2 in. bearing (see **Figure 2**)
  - b. Install anti-rotation pin
    - i. Belimo actuators can utilize the gold colored anti-rotation pin and Honeywell actuators can utilize the included shoulder bolt pin (see **Figure 3**). Alternatively, the anti-rotation strap that is included with most direct couple actuators can be fastened to the actuator bracket.
    - ii. Line the actuator that will be installed in the enclosure up with the center of the actuator bracket shaft hole to determine the proper hole location if anti-rotation pin is being used and then install pin in hole (see **Figure 3**). Alternatively, mount the anti-rotation pin that comes with the actuator to the actuator bracket.
  - c. Mount the actuator bracket to the base using the 4 – M4 x 12 mm phillips pan head screws (included) (see **Figure 3**).



**Figure 1: Seal Installation**



**Figure 2: Removing the Bearing**



**Figure 3: Actuator Installation**

#### 4. Mounting the enclosure base

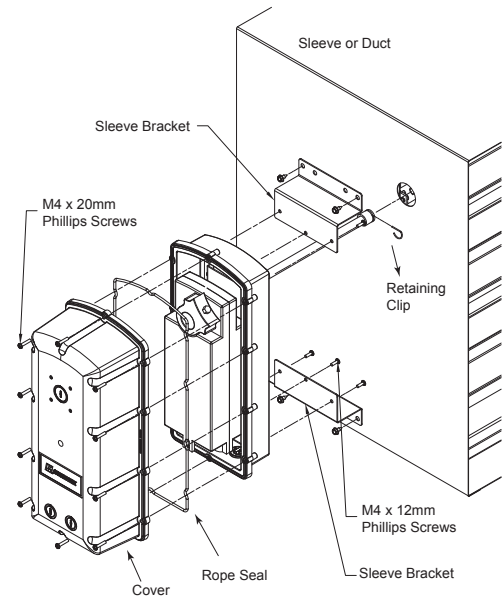
- a. When mounting the enclosure directly to the damper's sleeve or duct work slide the enclosure base over the shaft and fasten using sheet metal screws (see **Figure 4**).
- b. When mounting directly to the damper's jackshaft bracket or to the damper frame when using an extension pin first install the provided stand-off bracket using fasteners (see **Figure 5**). Then mount the included mounting base bracket to the stand-off bracket. Finally, mount the enclosure base to the mounting base bracket using the included fasteners.

#### 5. Install the actuator.

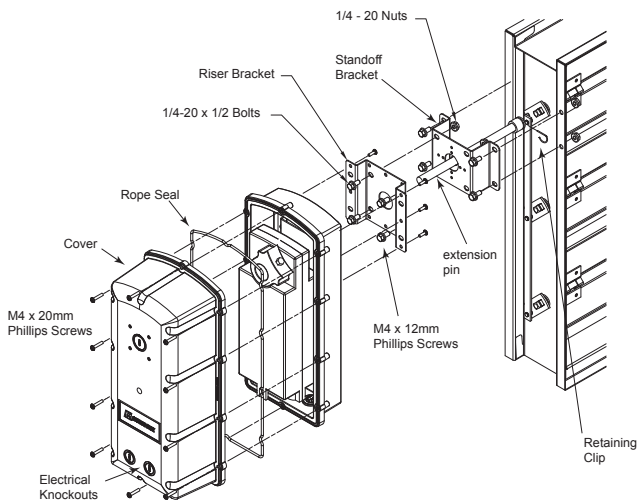
6. Trim jackshaft or extension pin as needed. Position the enclosure cover on the base. The jackshaft or extension pin may need to be trimmed to be all enclosure cover to be installed.

#### 7. Install enclosure cover.

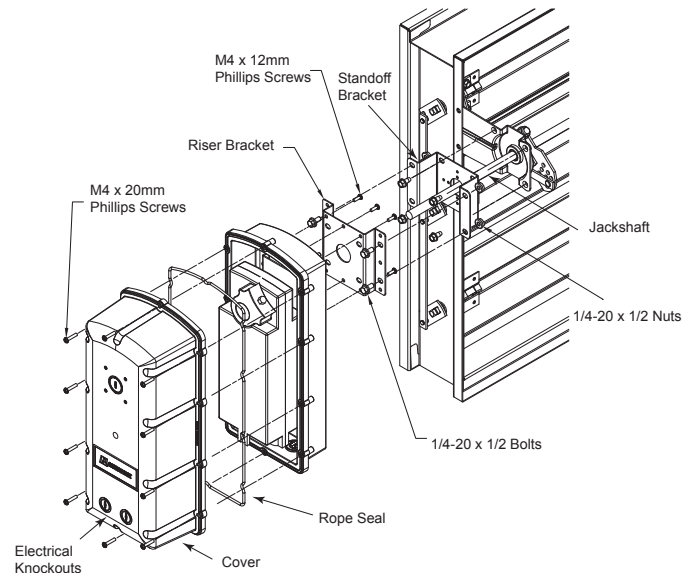
- a. Before installing the cover determine which electrical knock-outs will be removed from the cover to run power to the actuator.
- b. Install the cover using the ten included fasteners.



**Figure 4: Mounting to the sleeve**



**Figure 5: Mounting direct to the damper**



## **Our Commitment**

As a result of our commitment to continuous improvement, Greenheck reserves the right to change specifications without notice.

Specific Greenheck product warranties are located on [greenheck.com](http://greenheck.com) within the product area tabs and in the Library under Warranties.

