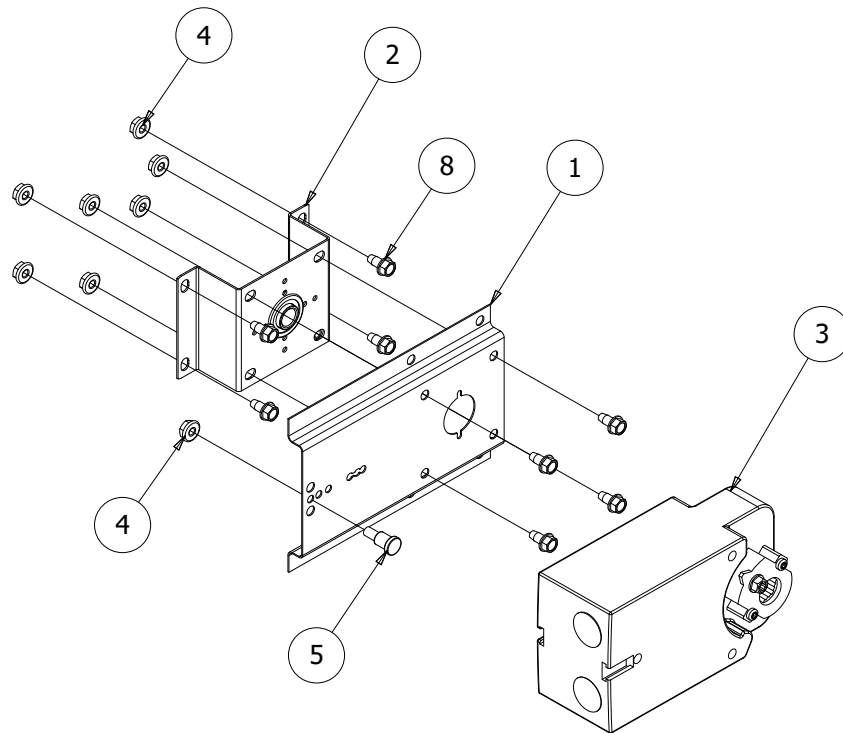


These instructions apply to the external field installation of Honeywell actuators on Greenheck control dampers. These models are direct drive actuators that rotate to their energized position when power is applied and spring return to their fail position when power is disconnected.

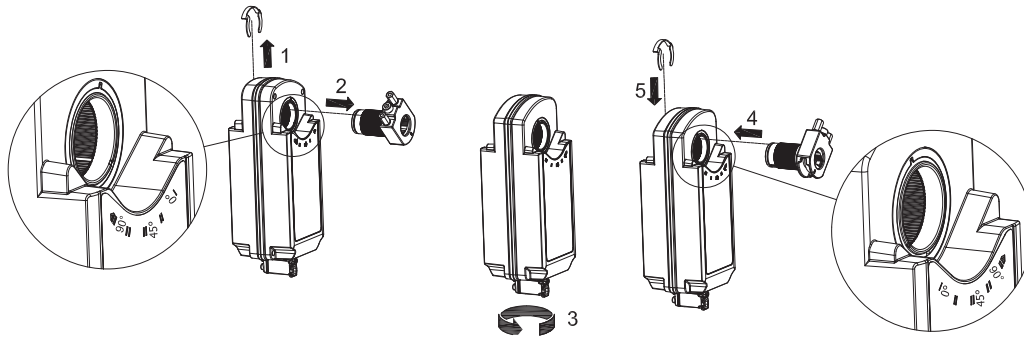
Model	Volts	Running	Holding	Auxillary Switch
MS8105A1130	24	6VA	3VA	Yes
MS7505A2130	24	6VA	3VA	Yes
MS7505A2030	24	6VA	3VA	No

Item	Part No.	Quantity	Description
1	723092	1	Anti rotation bracket
2	815027	1	Standoff bracket
3	-	1	Actuator
4	415455	9	¼ - 20 spinlock nut
5	417272	1	Mounting stud
6	415934	1	#10-24 hex nut (not shown)
7	416048	1	¼ x ¾ shoulder bolt (not shown)
8	415264	8	¼ - 20 x ½ TEK screw

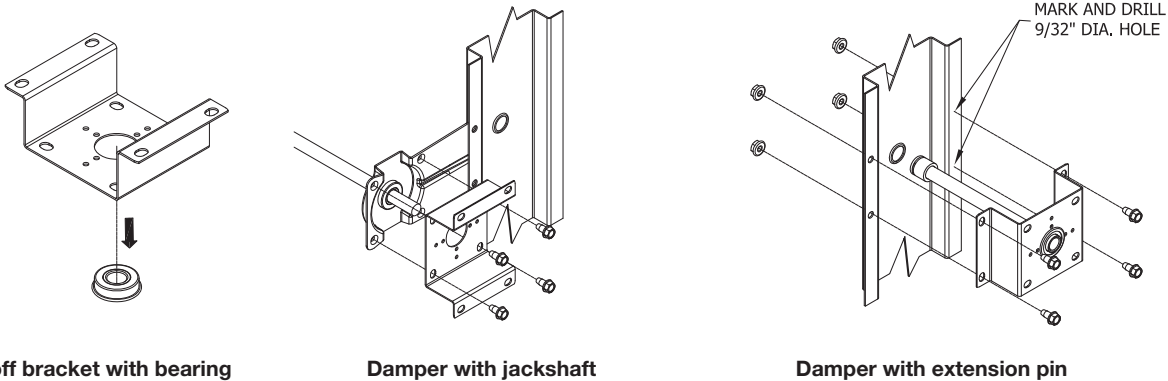


## Instructions for Galvanized Steel Kit

1. Determine actuator fail position and change actuator clamp location if necessary.
2. Lock the actuator clamp in place using the retaining clamp.



3. Remove the bearing from the stand-off bracket (jackshaft only).
4. Install stand-off bracket. Mark and drill 9/32 in. holes (extension pin only).

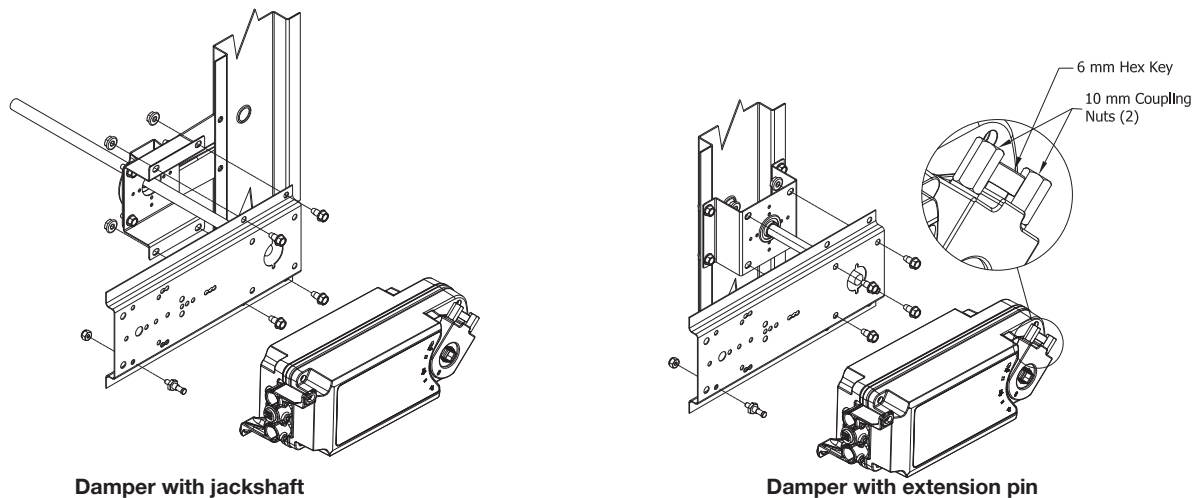


Standoff bracket with bearing

Damper with jackshaft

Damper with extension pin

5. Install anti-rotation bracket and actuator. Anti-rotation bracket may be attached (a) perpendicular up, (b) perpendicular down, or (c) parallel from duct (shown).



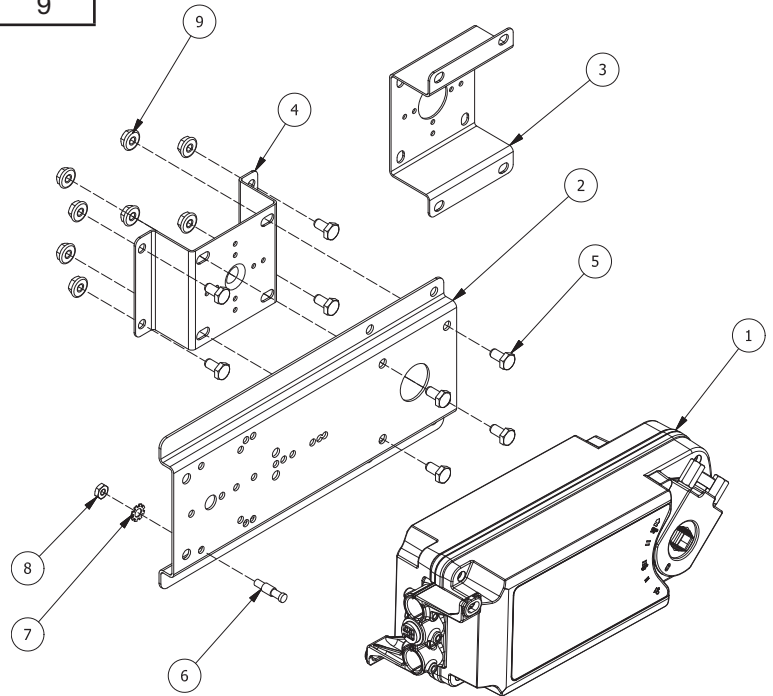
Damper with jackshaft

Damper with extension pin

6. Rotate damper blades to desired fail position (open) or (closed, ensure blade seals are compressed). Turn 6 mm hex screw to center damper shaft. Tighten (2) 10 mm hex screw to allow 95 degrees of actuator rotation.
7. Wiring should be per an approved project or job wiring diagram and must comply with all applicable wiring codes.
8. Apply power to the actuator. Damper blades should fully open or close and return to the fail position when power is disconnected.

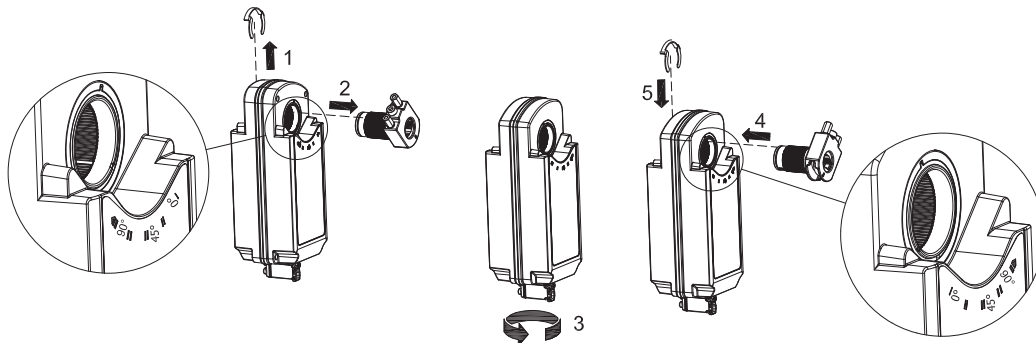
## 316 Stainless Steel Kit

Item	Part #	Description	Qty
1	689990	Anti-rotation bracket, 316SS	1
2	687784	Standoff bracket, 316SS	1
3	-	Actuator	1
4	687405	Standoff bracket 316SS	1
5	415868	¼-20 x ½ stud, 316SS	8
6	417273	Mounting stud (not shown)	1
7	417305	¼ - 20 spinlock bolt, 316SS	9

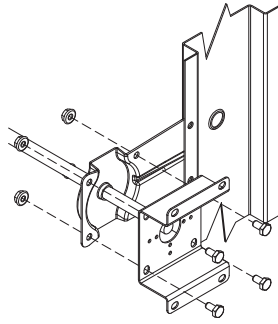


## Instructions for 316SS Kit

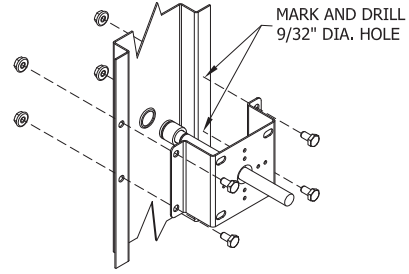
1. Determine actuator fail position and change actuator clamp location if necessary.
2. Lock the actuator clamp in place using the retaining clamp.



3. Install stand-off bracket. Mark and drill ⅜ in. holes (extension pin only).

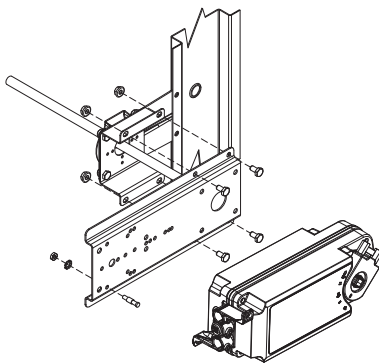


**Damper with jackshaft**

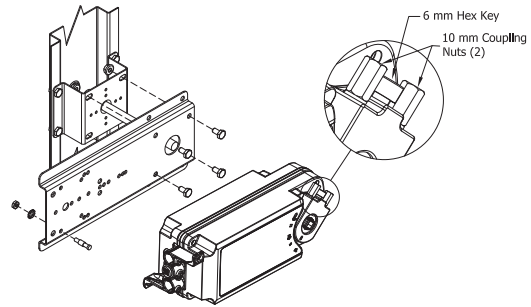


**Damper with extension pin**

4. Install anti-rotation bracket and actuator. Anti-rotation bracket may be attached (a) perpendicular up, (b) perpendicular down, or (c) parallel from duct (shown).



**Damper with jackshaft**



**Damper with extension pin**

5. Rotate damper blades to desired fail position (open) or (closed, ensure blade seals are compressed). Turn 6mm hex nut to center damper shaft. Tighten (2) 10 mm hex screws to allow 95 degrees of actuator rotation.
6. Wiring should be per an approved project or job wiring diagram and must comply with all applicable wiring codes.
7. Apply power to the actuator. Damper blades should fully open or close and return to the fail position when power is disconnected.

## **Our Commitment**

*As a result of our commitment to continuous improvement, Greenheck reserves the right to change specifications without notice.*

Product warranties can be found online at [Greenheck.com](http://Greenheck.com), either on the specific product page or in the literature section of the website at [Greenheck.com/Resources/Library/Literature](http://Greenheck.com/Resources/Library/Literature).



Phone: (715) 359-6171 • Fax: (715) 355-2399 • E-mail: [gfcinfo@greenheck.com](mailto:gfcinfo@greenheck.com) • Website: [www.greenheck.com](http://www.greenheck.com)