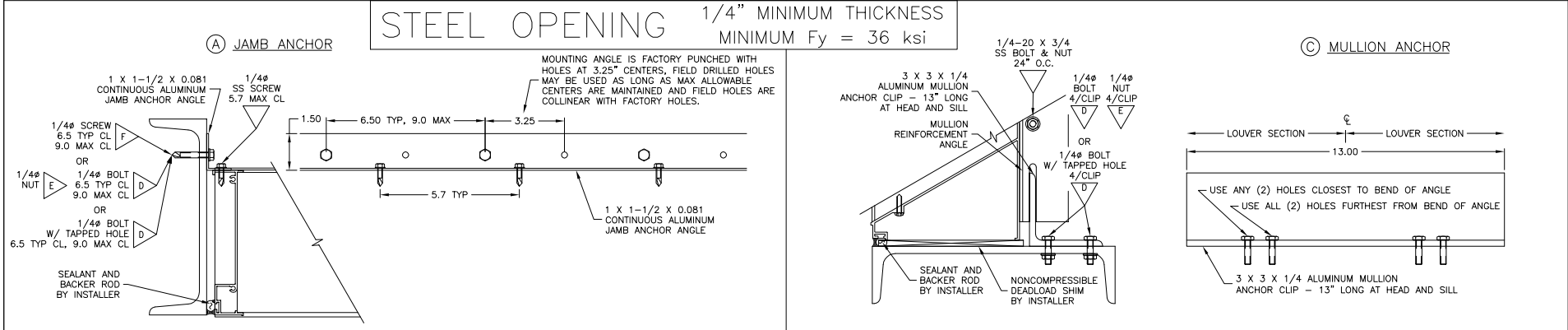
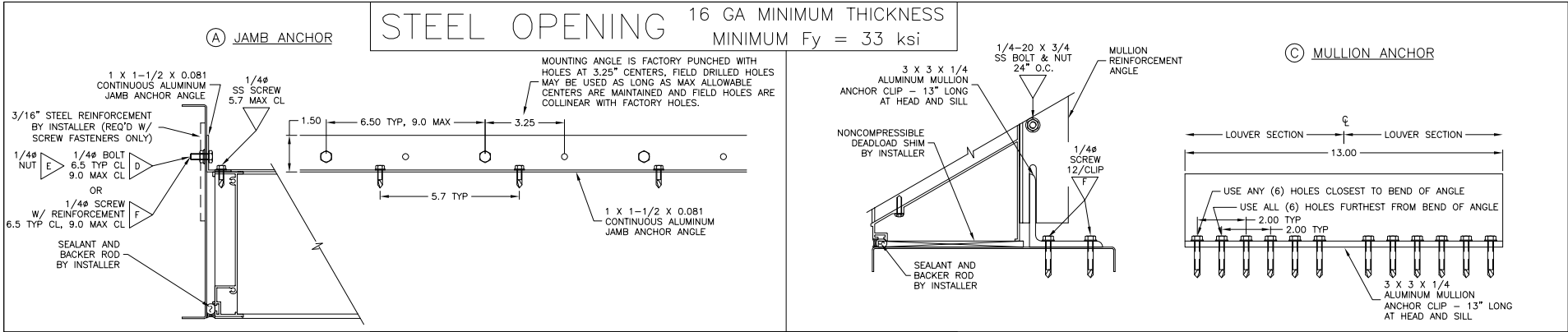


FIELD FASTENER SCHEDULE (BY INSTALLER)

TYPE	DESCRIPTION	MIN. EMBED.	MIN. EDGE DIST.	MIN. SPACING
A	1/2" LAG SCREW	3"	2 1/2"	3"
B	1/4" WOOD SCREW	3"	1 1/2"	1 1/2"
C1	1/4" TAPCON ANCHOR	1 1/4"	1"	3.25" (MAX)
C2	1/4" TAPCON ANCHOR	1 3/4"	2.5"	2" (MAX)

INSTALLER TO PROVIDE SEPARATION OF DISSIMILAR MATERIALS AS REQUIRED

INSTRUCTIONAL				
PAINT	PART NO.	MAT'L	GAUGE	DESCRIPTION
				 P.O. BOX 410 SCHOFIELD, WISCONSIN 54476-0410 DRAWN BY: STEELE DATE: 08/17/2011 SUPERSEDES: SCALE: CAD DRAWING NO.
ESD-635X INSTALLATION DETAILS 1 OF 2				ENG. REF: IAN36764 ESD-635X IOM PART # 475579 622155



GENERAL NOTES:

1. IT SHALL BE THE RESPONSIBILITY OF THE PERMIT HOLDER TO VERIFY THE STRUCTURAL INTEGRITY OF THE EXISTING STRUCTURE TO SUPPORT THE LOADS SUPERIMPOSED BY THE LOUVERS.
2. INSTALLER TO PROVIDE SEPARATION OF DISSIMILAR MATERIALS AS REQUIRED.
3. WOOD SUBSTRATE TO BE MINIMUM G = 0.42 DENSITY.
4. CONCRETE SUBSTRATE TO BE MINIMUM 3,200 PSI.
5. STEEL STUD OPENINGS (16 GA MINIMUM THICKNESS) TO BE MINIMUM Fy = 33 ksi
6. STRUCTURAL STEEL OPENINGS (1/4" MINIMUM THICKNESS) TO BE MINIMUM Fy = 36 ksi.

FIELD FASTENER SCHEDULE (BY INSTALLER)

TYPE	DESCRIPTION	MIN. EMBED.	MIN. EDGE DIST.	MIN. SPACING
D	1/4" BOLT	FULL	1/2"	1"
E	1/4" NUT	FULL	1/2"	1"
F	1/4" SCREW	FULL	1/2"	1"

INSTALLER TO PROVIDE SEPARATION OF DISSIMILAR MATERIALS AS REQUIRED

INSTRUCTIONAL				
PAIN	PART NO.	MAT'L	GAUGE	DESCRIPTION
				GREENHECK <small>P.O. BOX 410 SCHOFIELD, WISCONSIN 54476-0410</small>
DRAWN BY		ECC		
DATE		JAN 36764		
SUPERSEDES		08/18/2011		
SCALE		ESD-635X		
TITLE		IOM PART #		
ESD-635X INSTALLATION		475579		
DETAILS 2 OF 2		CAD DRAWING NO.		
		622708		

