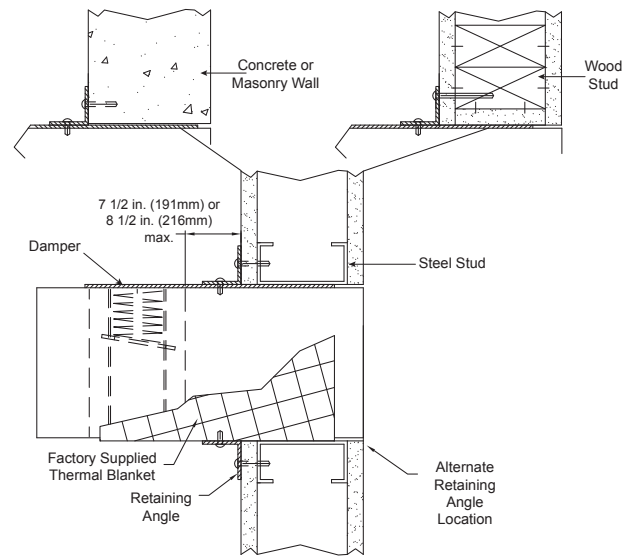


- Approved installations for curtain fire dampers
- 1) Through the grille access and
  - 2) Installation in continuing duct.

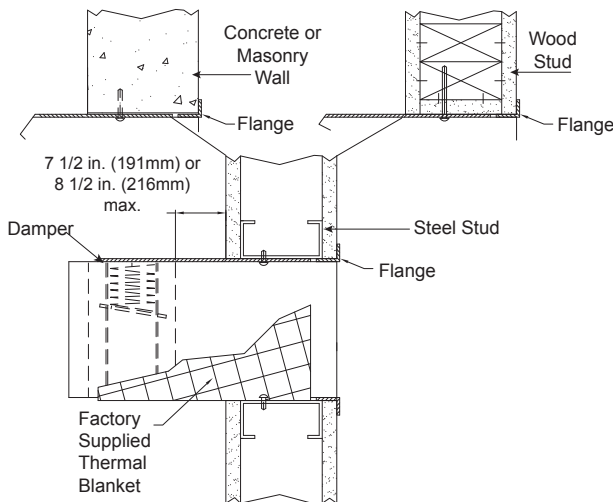
The following maximum distances outside the barrier apply:

- Steel stud and masonry barriers:
  - 8½ in. (216mm) provided the width and height of the damper are both 24 in. (610mm) or less and the damper sleeve is 20 gauge
  - 7½ in. (191mm) in all other instances
- Wood stud walls: 6½ in. (165mm)

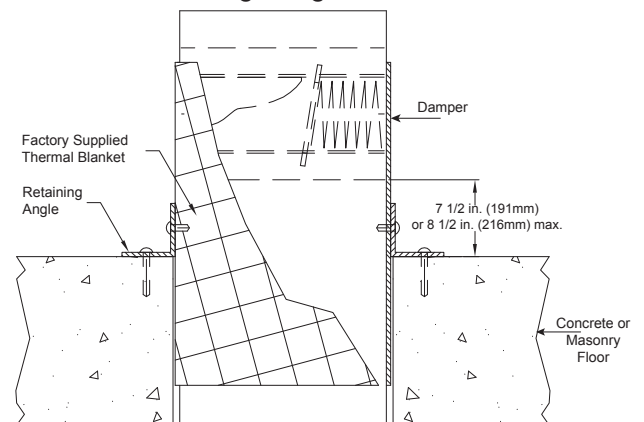
For access to inspect the damper and fusible link, refer to the requirements of NFPA 90A.



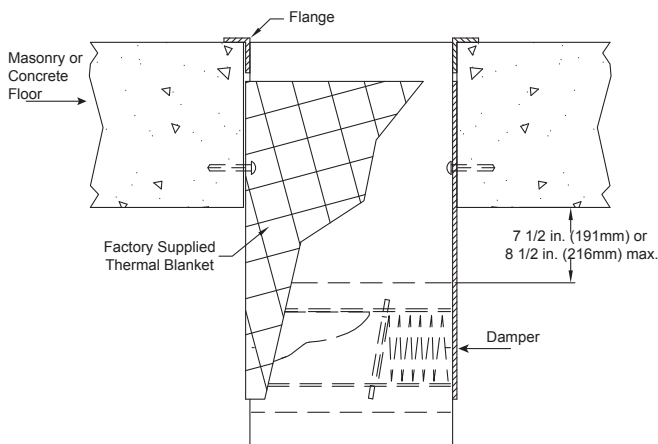
**Type A- Vertical Mount, Duct Terminates Single Angle Method**



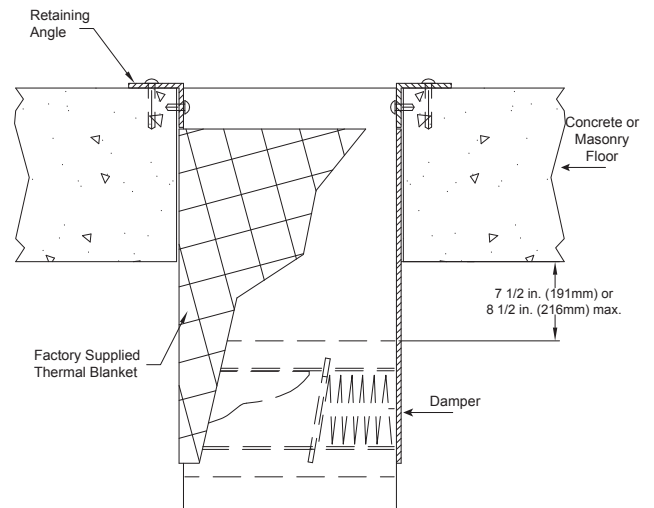
**Type A- Vertical Mount, Duct Terminates Flange Method**



**Type A - Horizontal Mount Above Floor/Wall, Duct Terminates Single Angle Method**

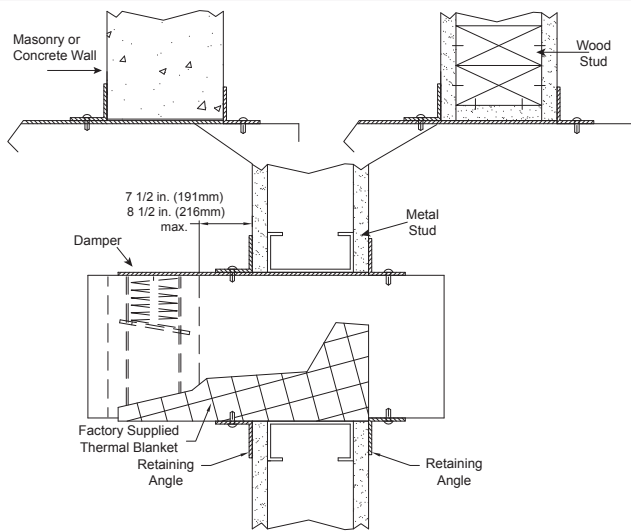


**Type A - Horizontal Mount Below Floor/Wall, Duct Terminates Flange Method**

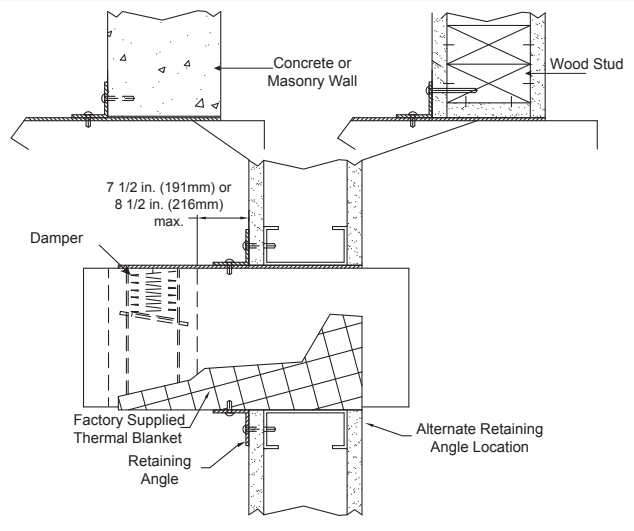


**Type A - Horizontal Mount Below Floor/Wall, Duct Terminates Single Angle Method**

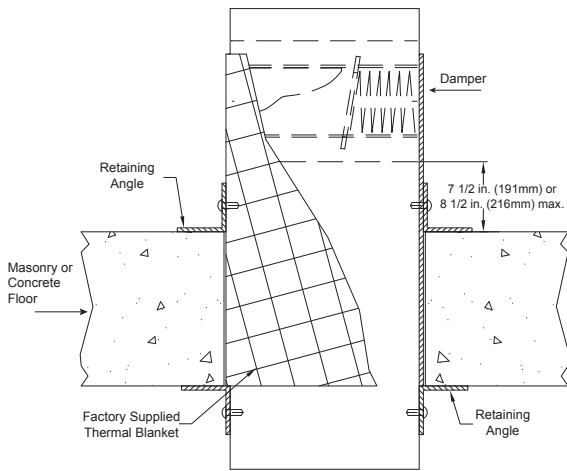
# Type A cont....



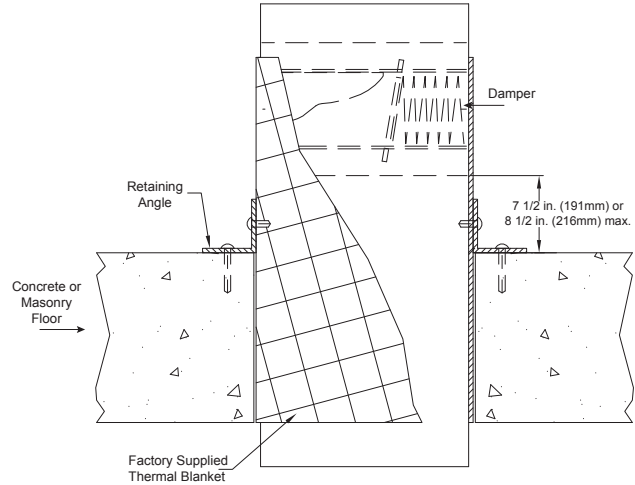
**Type A- Vertical Mount, Thru Duct with Two Retaining Angles**



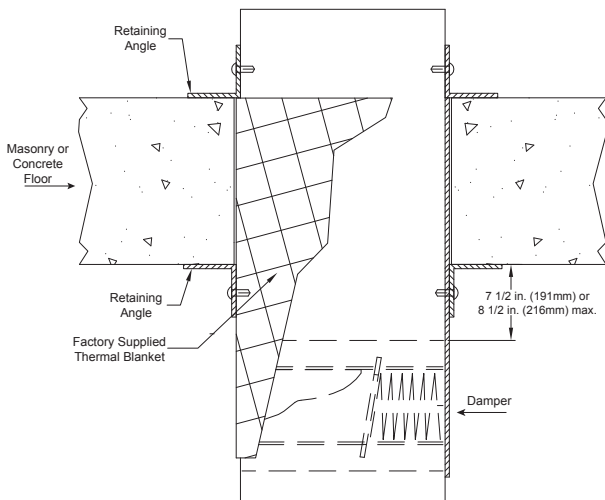
**Type A- Vertical Mount, Thru Duct with Single Retaining Angle**



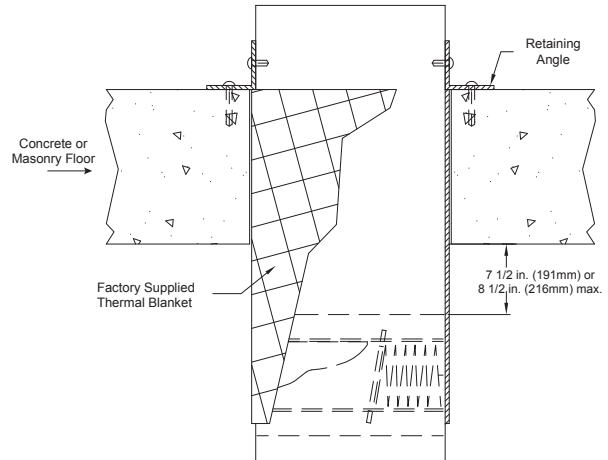
**Type A - Horizontal Mount Above Floor/Wall, Thru Duct with Two Retaining Angles**



**Type A - Horizontal Mount Above Floor/Wall, Thru Duct with Single Retaining Angle**

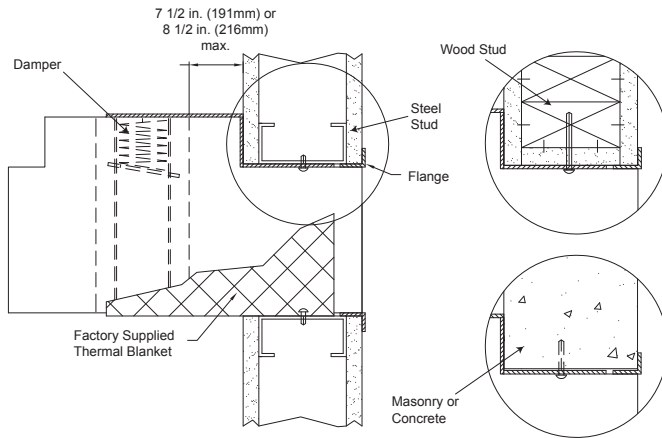


**Type A - Horizontal Mount Below Floor/Wall, Thru Duct with Two Retaining Angles**

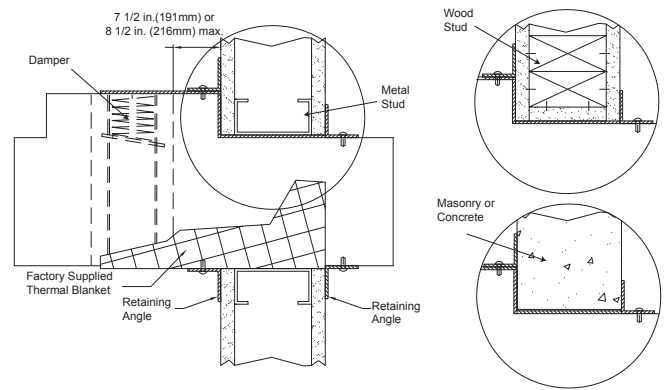


**Type A - Horizontal Mount Below Floor/Wall, Thru Duct with Single Retaining Angle**

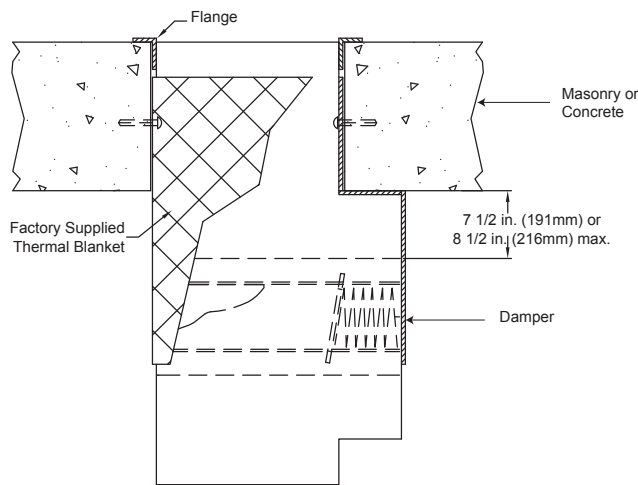
# Type B2



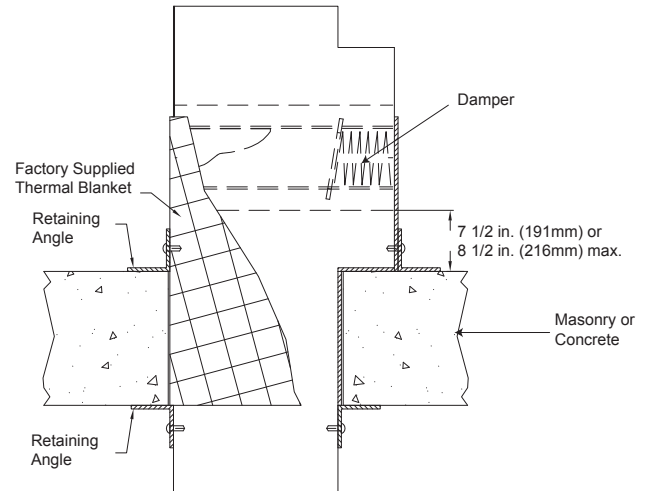
**Type B2- Vertical Mount, Duct Terminates Flange Method**



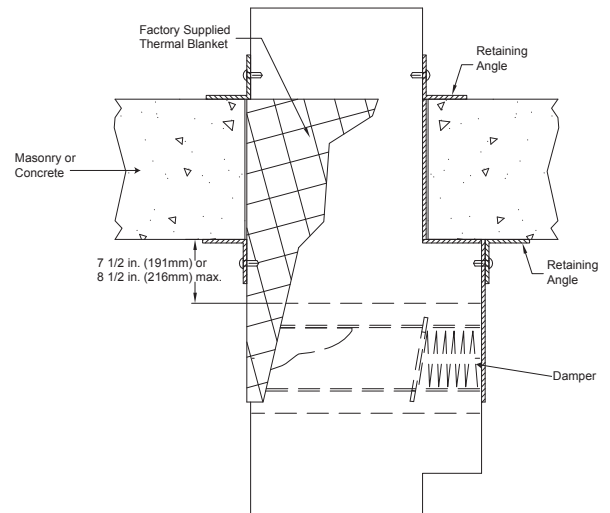
**Type B2- Vertical Mount, Thru Duct with Two Retaining Angles**



**Type B2 - Horizontal Mount Below Floor/Wall, Duct Terminates Flange Method**

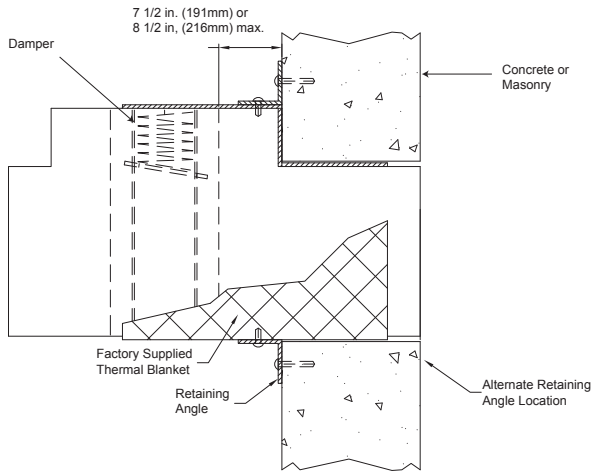


**Type B2 - Horizontal Mount Above Floor/Wall, Thru Duct with Two Retaining Angles**

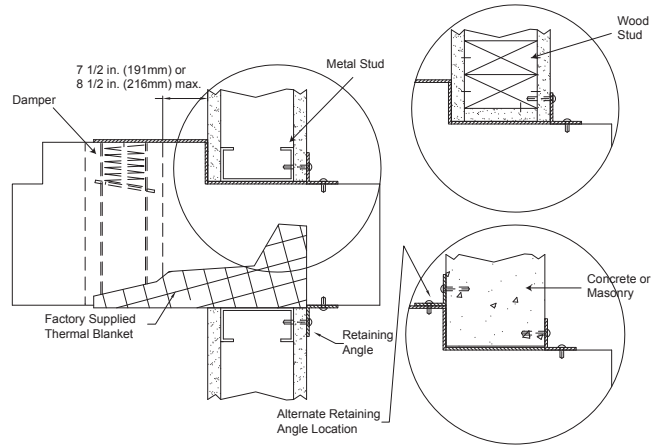


**Type B2 - Horizontal Mount Below Floor/Wall, Thru Duct with Two Retaining Angles**

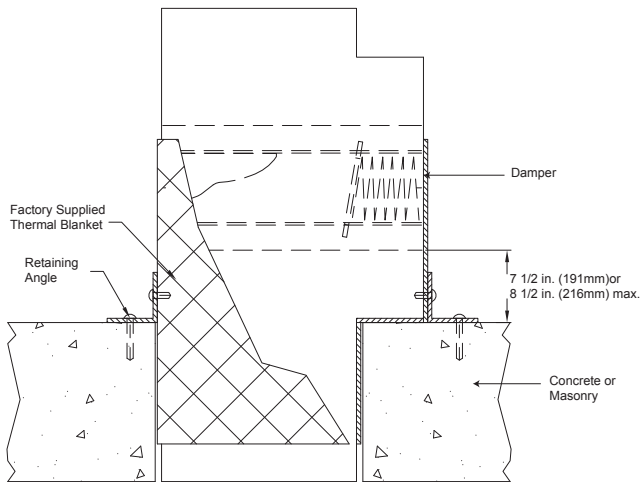
# Type B2 cont....



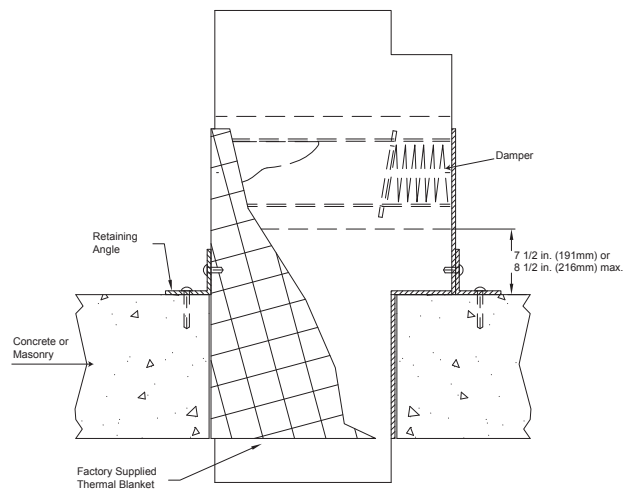
**Type B2- Vertical Mount, Duct Terminates Single Angle Method**



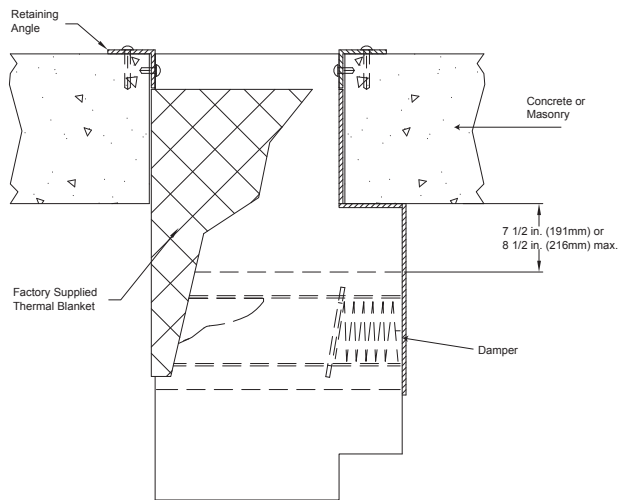
**Type B2- Vertical Mount, Thru Duct with Single Retaining Angle**



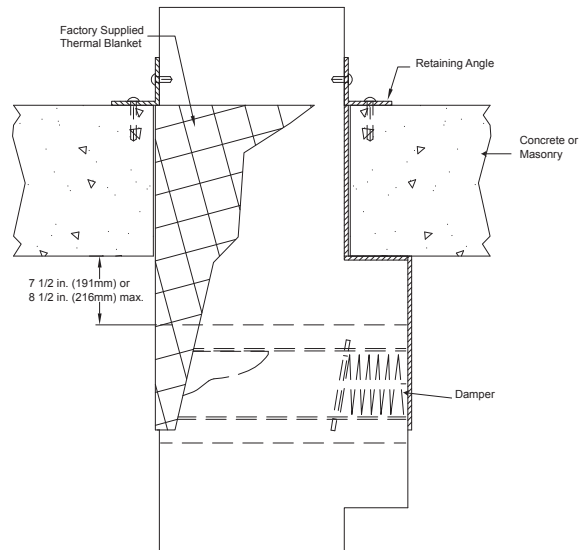
**Type B2 - Horizontal Mount Above Floor/Wall, Duct Terminates Single Angle Method**



**Type B2 - Horizontal Mount Above Floor/Wall, Thru Duct with Single Retaining Angle**



**Type B2 - Horizontal Mount Below Floor/Wall, Duct Terminates Single Angle Method**



**Type B2 - Horizontal Mount Below Floor/Wall, Thru Duct with Single Retaining Angle**

## Our Commitment

---

*As a result of our commitment to continuous improvement, Greenheck reserves the right to change specifications without notice.*

Product warranties can be found online at [Greenheck.com](http://Greenheck.com), either on the specific product page or in the literature section of the website at [Greenheck.com/Resources/Library/Literature](http://Greenheck.com/Resources/Library/Literature).

