

Parts needed:

Part No.	Description
1022113	Kit for 1/2 in. jackshaft or direct drive
1022114	Kit for 1 in. jackshaft
483997	NEMA 7 housing only

Instructions

1. Install actuator bracket and actuator into the housing base.
2. Install mounting bracket onto sleeve or jackshaft bracket using #14 Tek screw (Figure 2 or 3).
3. Install coupler onto extension pin or jackshaft. Install spider into coupler. The second coupler install onto the pin sticking out of the NEMA 7 housing base.
4. Install actuator into the base and tighten. Swing the blades open or close. Install NEMA 7 housing base to the mounting bracket using bolts and nuts provided.
5. Turn the couplers so you can tighten the set screws.
6. Install cover using 5/16 x 1 1/4 bolts.

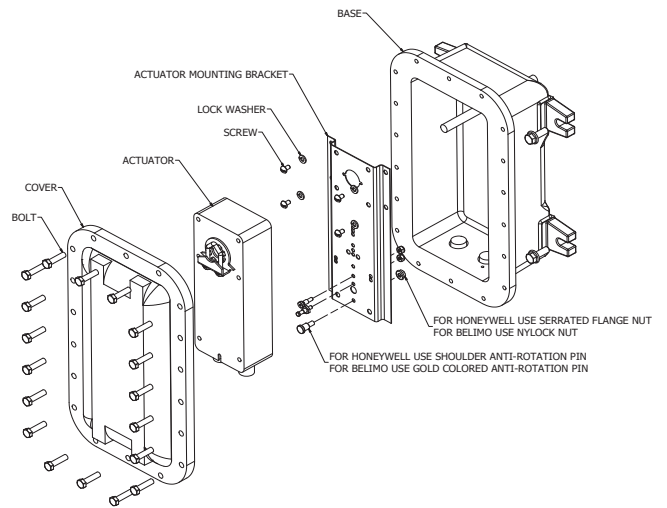


Figure 1: Actuator Installation

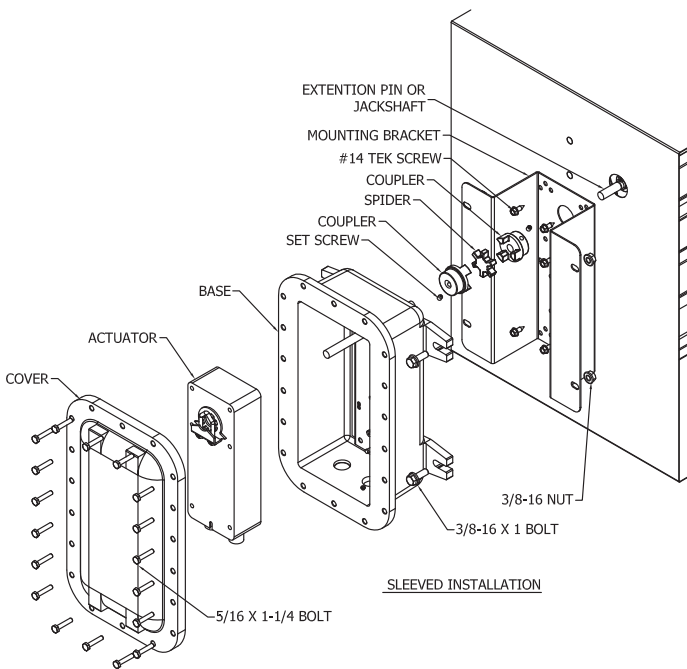


Figure 2: Mounting on a Sleeve

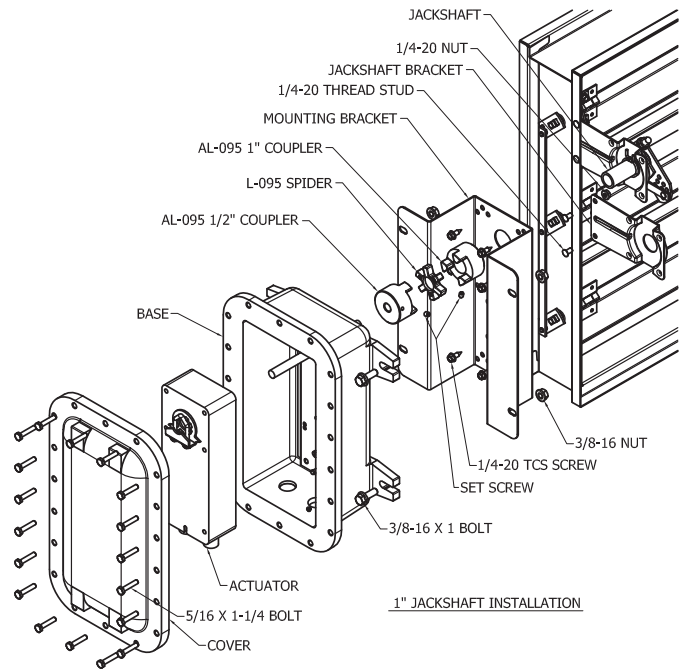


Figure 3: Mounting on a Jackshaft

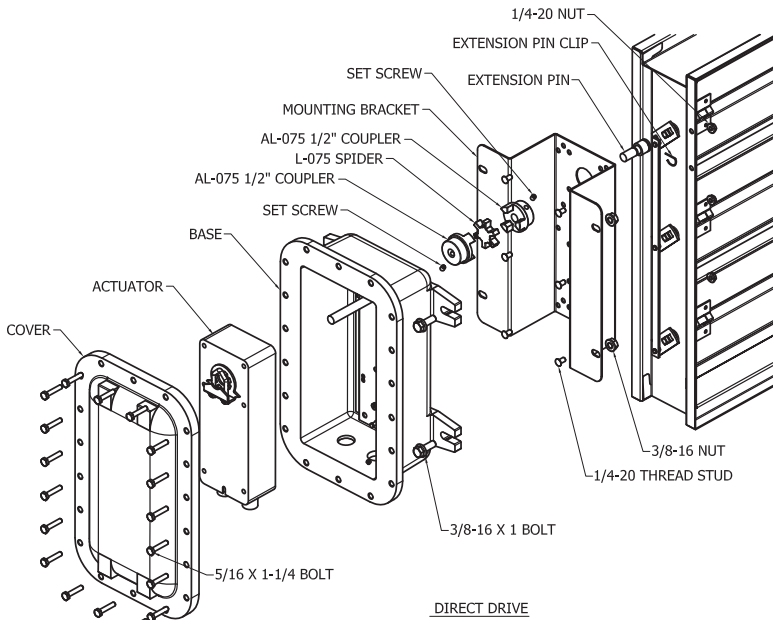


Figure 4: Mounting direct to the damper

Our Commitment

As a result of our commitment to continuous improvement, Greenheck reserves the right to change specifications without notice.

Product warranties can be found online at Greenheck.com, either on the specific product page or in the literature section of the website at Greenheck.com/Resources/Library/Literature.

