

**Refer to:**

'Installation Instructions for VCD and FBV Series Control Dampers' (Part #463384)

**Models:**

FBV-23, VCD-23, VCD-23V, VCD-33, VCD-33V, VCD-34, VCD-34V, SEVCD-23, SEVCD-33

These instructions address either replacement or initial installation.

The TPE seal pushes onto the blade edge and is held by the friction between the blade material and directional projections inside the rigid plastic clip. Seal material is cut-to-length before installing. If your damper has a closure strip, install the seal as shown on the drawing. If you have no closure strip, you will install the sweep seal as shown on the drawing. Seal is normally installed to the drive blade and to every blade tip on the same side of damper.

**Models: FBV-23, VCD-23, VCD-23V, SEVCD-23**

Blade Action: Opposed

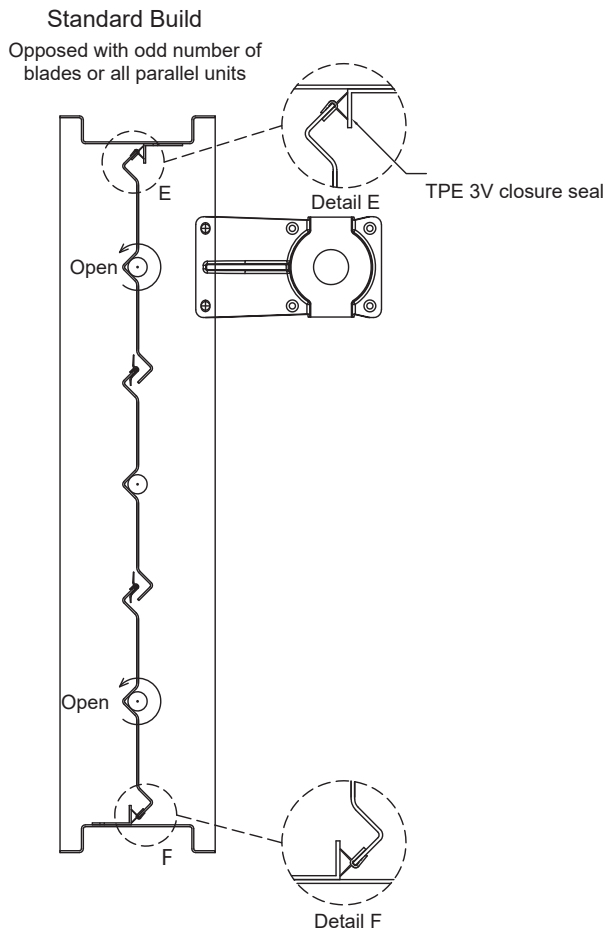
Number of Blades: Odd

Blade Action: Parallel

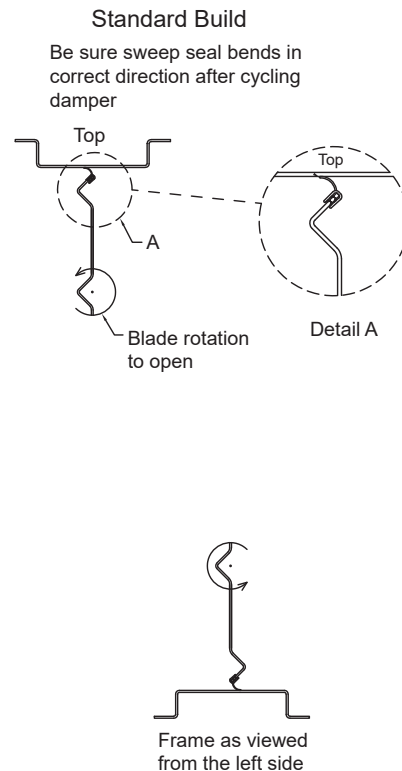
Number of Blades: Both (odd and even)

Blade Type	Elastomer Material	Greenheck Part number
3V	Blade Seal	485394
	Sweep Seal	485393
	Closure Seal	472783

**Closure Strip Detail**



**Sweep Seal Detail**



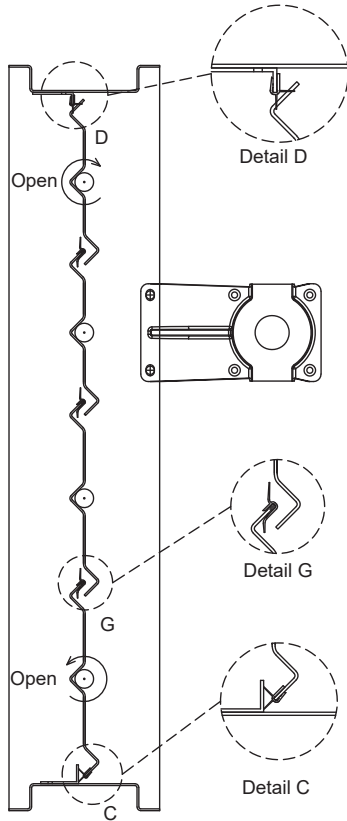
**Models: FBV-23, VCD-23, VCD-23V, SEVCD-23**

Blade Action: Opposed  
 Number of Blades: Even

Blade Type	Elastomer Material	Greenheck Part number
3V	Blade Seal	485394
	Sweep Seal	485393
	Closure Seal	472783

**Closure Strip Detail**

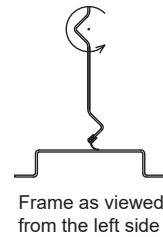
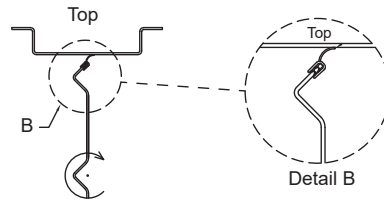
Opposed with even number of blades



**Sweep Seal Detail**

Opposed with even number of blades

Be sure sweep seal bends in correct direction after cycling damper



**Models: VCD-33, VCD-34, VCD-33V, VCD-34V, SEVCD-33**

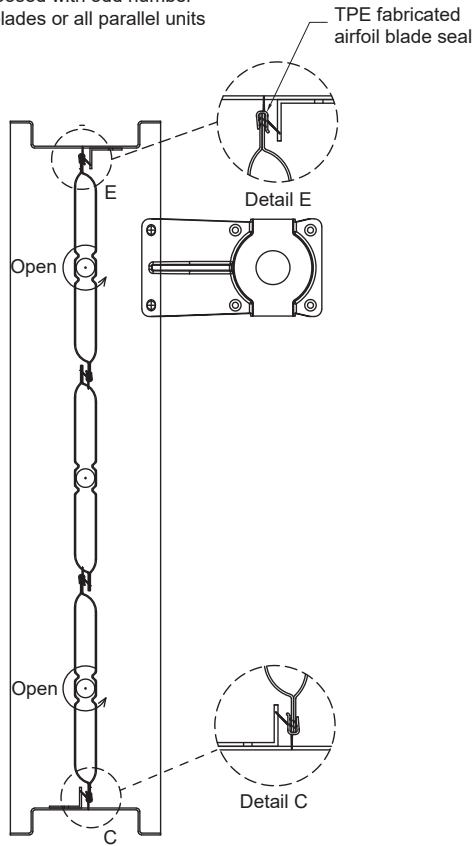
Blade Action: Opposed  
 Number of Blades: Odd

Blade Action: Parallel  
 Number of Blades: Both (odd and even)

Blade Type	Elastomer Material	Greenheck Part number
Fabricated Airfoil	Blade Seal	485392
	Sweep Seal	474708
	Closure Seal	485392

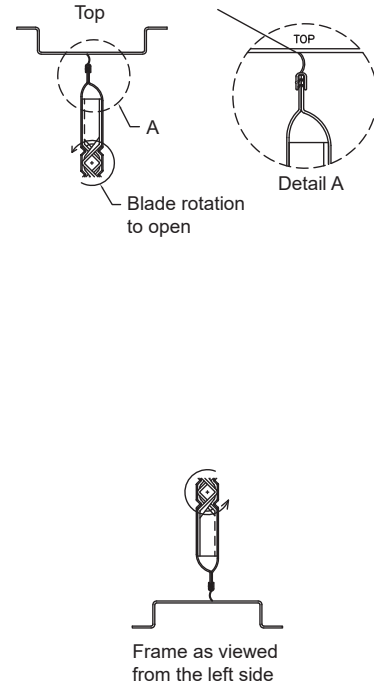
**Closure Strip Detail**

Opposed with odd number of blades or all parallel units



**Sweep Seal Detail**

Be sure sweep seal bends in correct direction after cycling damper



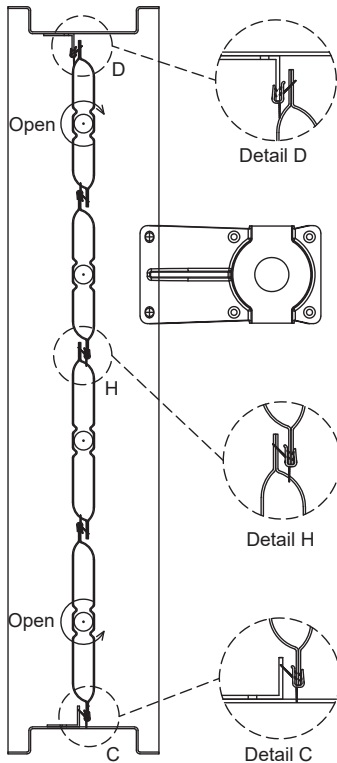
**Models: VCD-33, VCD-34, VCD-33V, VCD-34V, SEVCD-33**

Blade Action: Opposed  
 Number of Blades: Even

Blade Type	Elastomer Material	Greenheck Part number
Fabricated Airfoil	Blade Seal	485392
	Sweep Seal	474708
	Closure Seal	485392

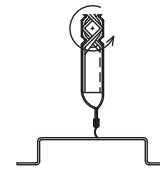
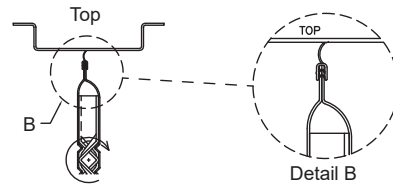
**Closure Strip Detail**

Opposed with even number of blades



**Sweep Seal Detail**

Be sure sweep seal bends in correct direction after cycling damper



Frame as viewed from the left side



Phone: (715) 359-6171 • Fax: (715) 355-2399 • E-mail: [gfcinfo@greenheck.com](mailto:gfcinfo@greenheck.com) • Website: [www.greenheck.com](http://www.greenheck.com)