

### Assembly and Installation Instructions

Please read and save these instructions for future reference. Read carefully before attempting to assemble, install, operate or maintain the product described. Protect yourself and others by observing all safety information. Failure to comply with instructions could result in personal injury and/or property damage! Upon receiving the product, check for any damage that may have occurred during transit and report it immediately to the shipper. Also verify that all accessory items are accounted for.

#### STEP 1:    **Unpack and Inspect Parts**

Part Description	Quantity	ERV-10	ERV-20	ERV-45
		Part #	Part #	Part #
<b>Roof Curb Kit</b>				
14-inch	1	898531	898534	898539
18-inch	1	898532	898535	898540
24-inch	1	898533	898536	898541
<b>End Channel</b>				
14-inch	2	757131	757151	757160
18-inch	2	757133	757153	757162
24-inch	2	757135	757155	757164
<b>Side Channel</b>				
14-inch	2	757132	757150	757159
18-inch	2	757134	757152	757161
24-inch	2	757136	757154	757163
<b>Curb Support</b>	1	757310	757391	757667
<b>Duct Adaptor Support</b>	1	757311	757392	757669
<b>Duct Adaptor</b>	1	757309	757390	757407
<b>Duct Adaptor "Part B"</b>	1	-	-	757408
<b>Hardware Kit</b>	1	852902	852902	852902
Screws, SMS (A) 12 x 0.625 (IHH)	36	415180	415180	415180

#### NOTE

All curbs shipped for ERV units will include a duct adaptor regardless of ducting arrangement.

#### Overall Curb Dimensions

	ERV-10	ERV-20	ERV-45
<b>W</b>	30.21	47.96	63.67
<b>L</b>	42.69	59.25	63.75

All dimensions shown are in inches.

#### SPECIAL TOOLS REQUIRED

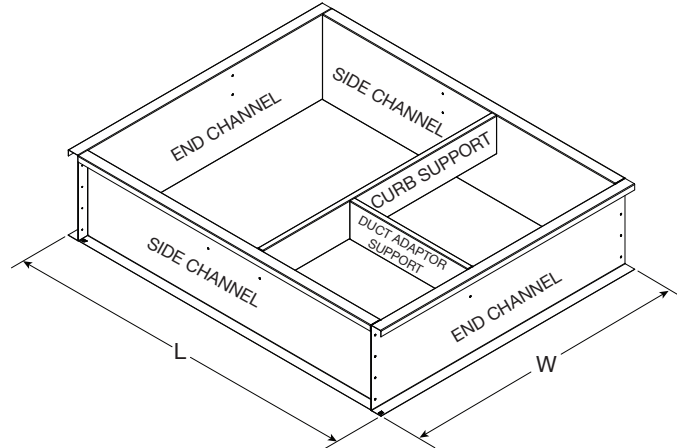
- Cordless drill
- 5/16 in. nut setter
- Awl — for hole alignment

## STEP 2: Assemble Main Curb for Model ERV-10, 20, 45

- Instructions:
- See **ERV Main Curb Assembly** for positioning of the correct hardware.
  - Align the holes and fasten as shown below.

### Hardware Required:

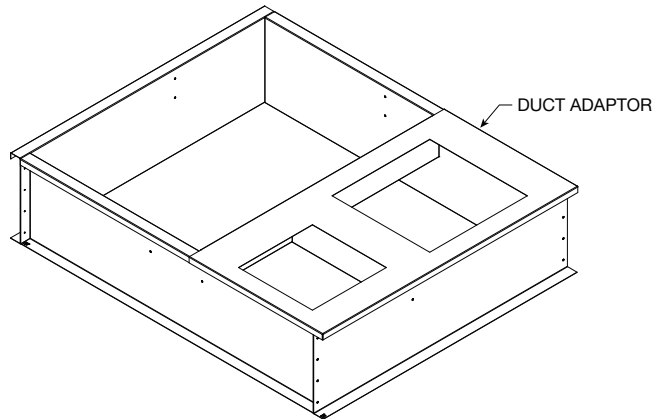
- (24) Screws, SMS (A) 12 x 0.625 (IHH)
- (2) End Channels
- (1) Curb Support
- (2) Side Channels
- (1) Duct Adaptor Support



## STEP 3: Final Roof Curb Assembly for Model ERV-10, 20

### Hardware Required:

- (1) Duct Adaptor



## STEP 3: Final Roof Curb Assembly for Model ERV-45

### Hardware Required:

- (1) Duct Adaptor
- (1) Duct Adaptor "Part B"

