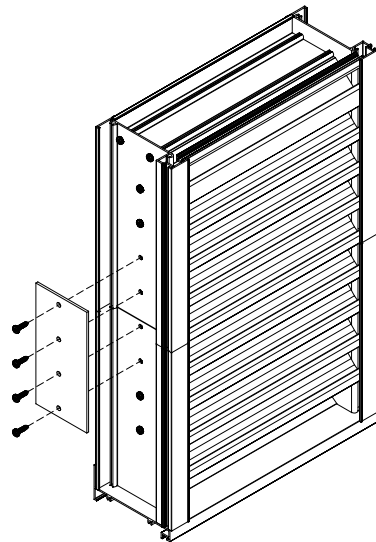
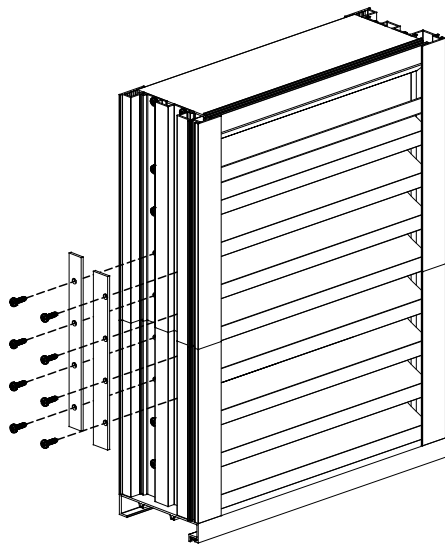
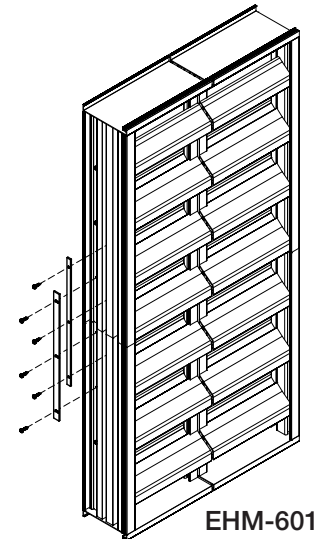
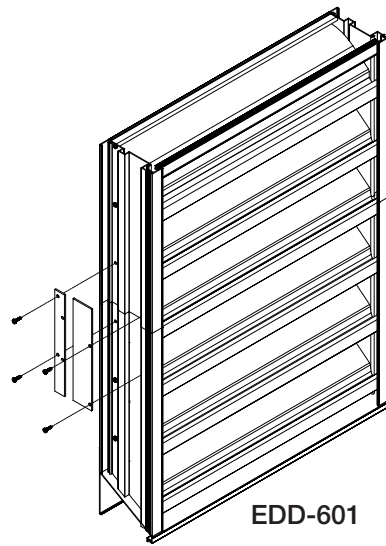
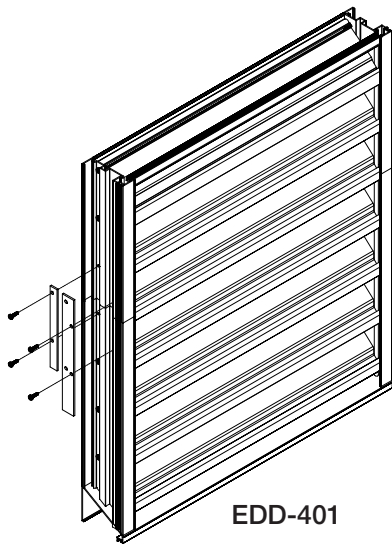


Installation, Operation and Maintenance Manual

Please read and save these instructions for future reference. Read carefully before attempting to assemble, install, operate or maintain the product described. Protect yourself and others by observing all safety information. Failure to comply with these instructions will result in voiding of the product warranty and may result in personal injury and/or property damage.



INSTALLATION GUIDELINES

Step 1

Units that are to be field stacked will be shipped with alignment plate(s) to be field installed. Remove the appropriate amount of blade screws that hold the blade nearest the splice joint of the mating section (reference model details).

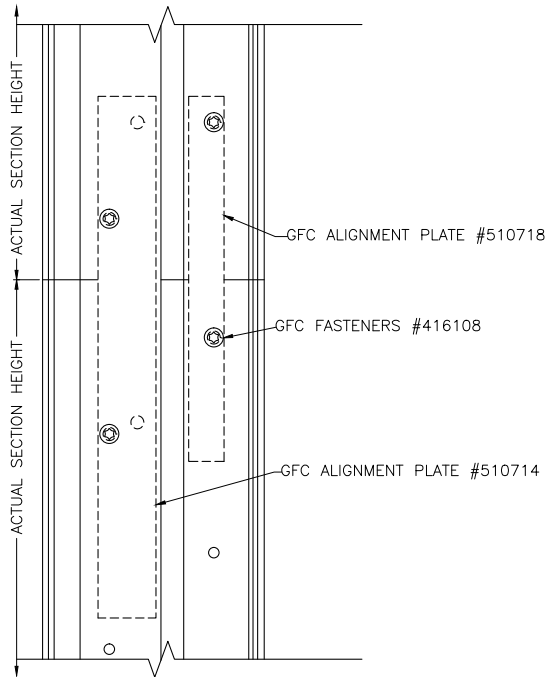
Step 2

Stack the sections together.

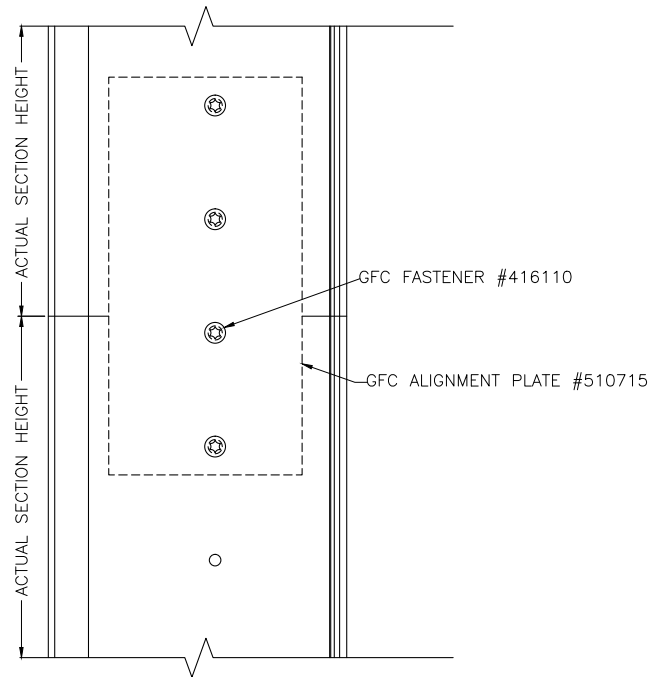
Step 3

Attach plates by re-installing blade screws through alignment plate(s), through jamba, and into screw bosses that are extruded in blades.

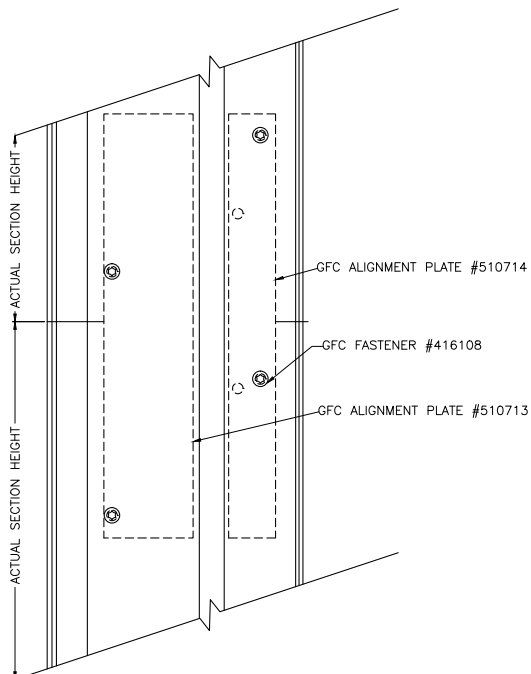
EDD-401



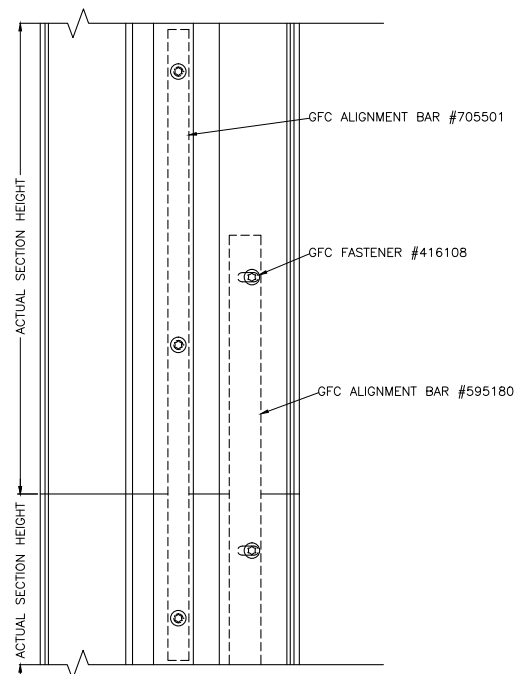
SED-501



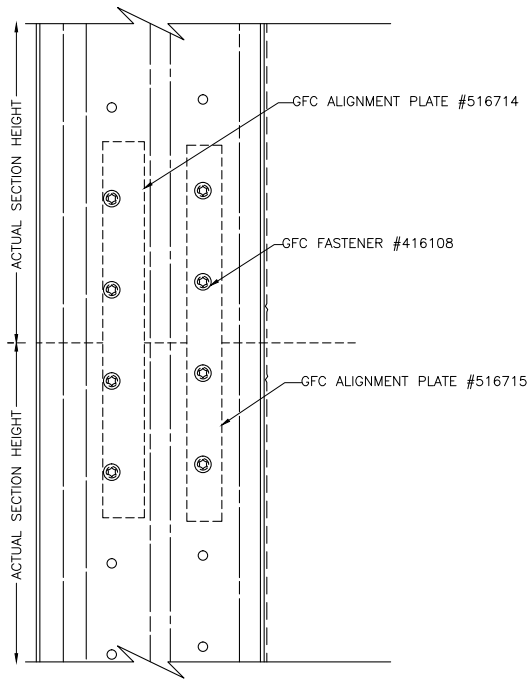
EDD-601



EHM-601



ESS-502D



Our Commitment

As a result of our commitment to continuous improvement, Greenheck reserves the right to change specifications without notice.

Product warranties can be found online at Greenheck.com, either on the specific product page or in the literature section of the website at Greenheck.com/Resources/Library/Literature.

