

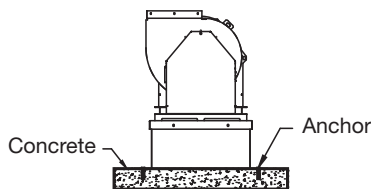
Installation, Operation and Maintenance Manual

Please read and save these instructions for future reference. Read carefully before attempting to assemble, install, operate or maintain the product described. Protect yourself and others by observing all safety information. Failure to comply with these instructions will result in voiding of the product warranty and may result in personal injury and/or property damage.

Installation methods for Greenheck FJC-300 Series fans with Miami-Dade NOA Certification per NOA No. 17-0307.01

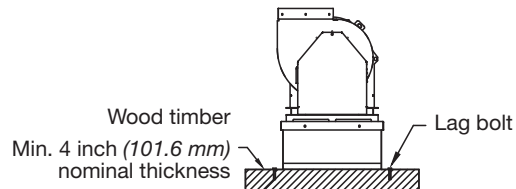
Concrete Deck Anchoring

Use $\frac{3}{8}$ inch (10 mm) diameter SS Kwik bolt TZ wedge anchor, 316 stainless steel
Effective embedment depth: 2 inch (51 mm) (min.)
Install depth: 2.313 inch (59 mm) (min.)
Edge distance: 6 inch (152 mm) (min.)
Spacing: 4.50 inch (114 mm) (min.)
Min. slab thick: 4 inch (102 mm) normal wt., cracked
Compressive strength: F'C=3000 PSI
Install per manufacturer's instructions



Timber Anchoring

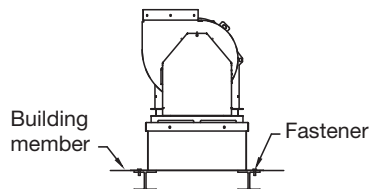
Use $\frac{1}{2}$ inch (13 mm) diameter SS lag bolts (FY = 65 KSI) Southern pine (G = 0.55 min.)
Pre-drill as recommended
Penetration = 1.75 inch (45 mm)
1.50 inch (38 mm) of threads to be engaged into wood (min.)
Spacing: 3 inch (76 mm) (min.)
Edge distance: 1 inch (25 mm) (min.)
End distance: 6 inch (152 mm) (min.)



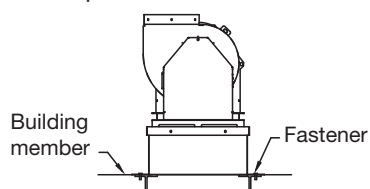
Steel Deck Anchoring

Use $\frac{5}{16}$ inch (8 mm) diameter SS self-drilling/self-tapping fasteners or thru bolts
300 Series SS, condition CW, FY = 65 KSI
0.105 inch (3 mm) thread engagement (min.)
Steel FY = 33 KSI (min.)

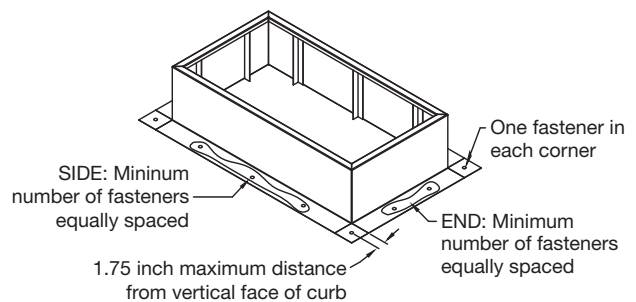
Thru Bolts



Self-Drill/Tap



Curb Fasteners



Unit	Concrete Deck Anchoring		Steel Anchoring Thru Bolts		Steel Anchoring Self-Drill/Tap		Timber Anchoring	
	End	Side	End	Side	End	Side	End	Side
FJC-306	2	5	3	6	3	6	3	6
FJC-307								
FJC-308								
FJC-309								
FJC-310	3	6	3	7	4	7	4	7
FJC-312								
FJC-313								
FJC-315								
FJC-316								
FJC-318								
FJC-320								
FJC-322	7	4	4	7	4	7	8	
FJC-324								

Installation methods for Greenheck USF-300 Series fans with NOA Certification per NOA No. 17-0307.02

Concrete Deck Anchoring

Use six 3/8 inch (10 mm) diameter SS Kwik bolt TZ wedge anchors, 316 stainless steel

Effective embedment depth: 2 inch (51 mm) (min.)

Install depth: 2.313 inch (59 mm) (min.)

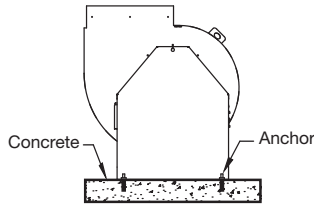
Edge distance: 6 inch (152 mm) (min.)

Spacing: 4 1/2 inch (114 mm) (min.)

Min. slab thick: 4 inch (102 mm) normal wt., cracked

Compressive strength: F'C=3000 PSI

Install per manufacturer's instructions



Timber Anchoring

Use six 1/2 inch (13 mm) diameter SS lag bolts (FY=65 KSI)

Southern pine (G=0.55 min.)

Predrill as recommended

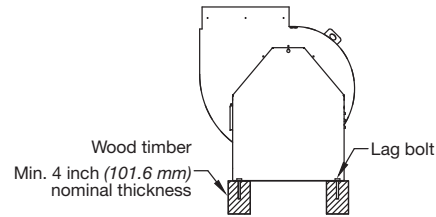
Penetration = 1.75 inch (45 mm)

1.50 inch (38 mm) of threads to be engaged into wood (min.)

Spacing: 3 inch (76 mm) (min.)

Edge distance: 1 inch (25 mm) (min.)

End distance: 6 inch (152 mm) (min.)



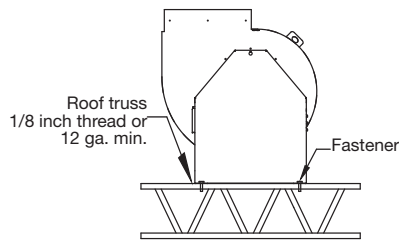
Steel Deck Anchoring

Use six 5/16 inch (8 mm) diameter SS self-drilling/self tapping fasteners or thru bolts

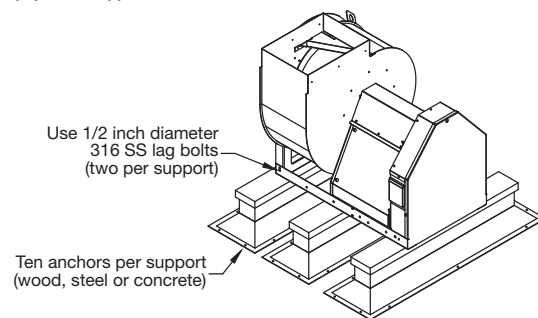
300 Series S.S., condition CW,

FY = 65 KSI

0.105 inch (3 mm) thread engagement (min.)



Equipment Supports



Direct Mount with Spring Isolators

