

These instructions apply to the external field installation of Honeywell actuators on Greenheck model VCD control dampers when they are duct mounted or sleeved.

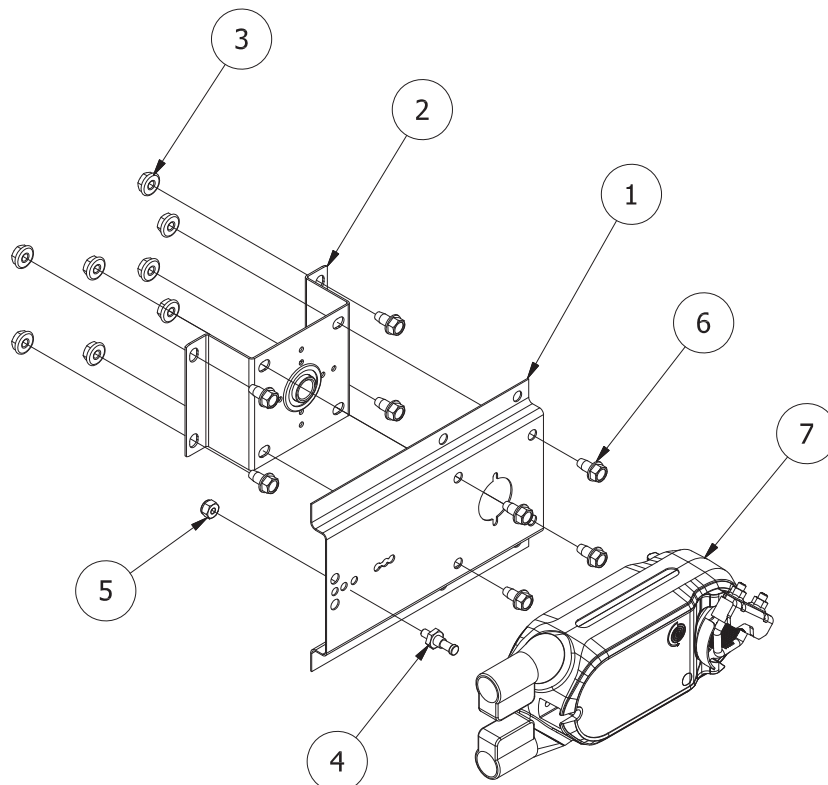
Model	Volts	Running	Holding
MS4103F1025	120-230 VAC 50/60 Hz	6VA	5VA
MS4103F1225			
MS7103K1023	24 VAC/VDC 50/60 Hz	4VA	2VA
MS7103K2223			
MS8103F1025	24VAC/VDC 50/60 Hz	6VA	3VA
MS8103F1225			

Important

A break in power of less than one second can cause the actuator to spring-return 5 degrees or less and remain in place until a break in power of longer duration.

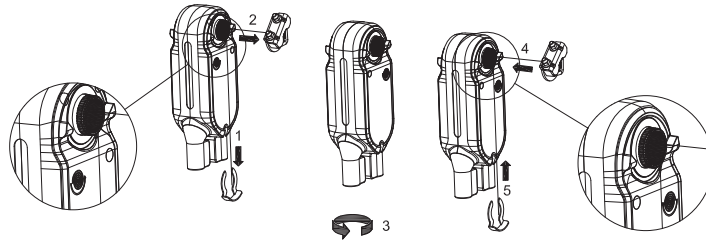
Galvanized Steel Kit

Item	Part	Description	Qty
1	723092	Anti-rotation bracket	1
2	815027	Extension pin support bracket	1
3	415455	¼ - 20 spinlock ZP nut	8
4	417279	#10-24 x 1.068 ZP stud	1
5	415934	#10-24 HH Nylock ZP nut	1
6	415264	¼-20 x ½ in. ZP bolt	8
7	-	Honeywell actuator	1

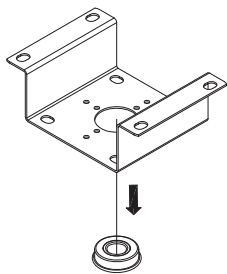


Instructions for Galvanized Steel Kit

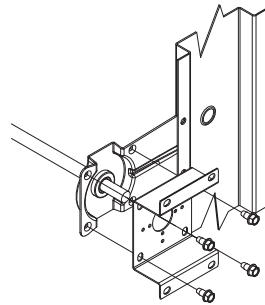
1. Determine actuator fail position and change actuator clamp location if necessary.
2. Lock actuator clamp in place using the retaining clamp.



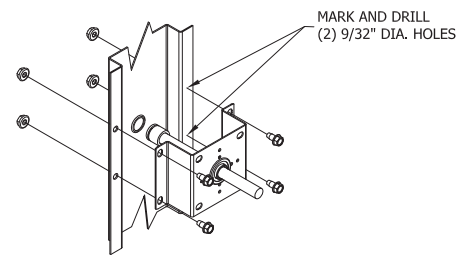
3. Remove the bearing from the stand-off bracket (jackshaft only).
4. Install stand-off bracket. Mark and drill $\frac{9}{32}$ in. holes (extension pin only).



Standoff bracket with bearing

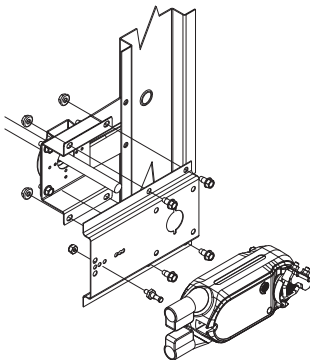


Damper with jackshaft

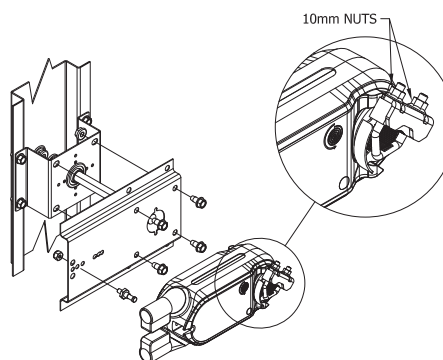


Damper with extension pin

5. Install anti-rotation bracket and actuator. Anti-rotation bracket may be attached (a) perpendicular up, (b) perpendicular down or (c) parallel from duct (shown).



Damper with jackshaft

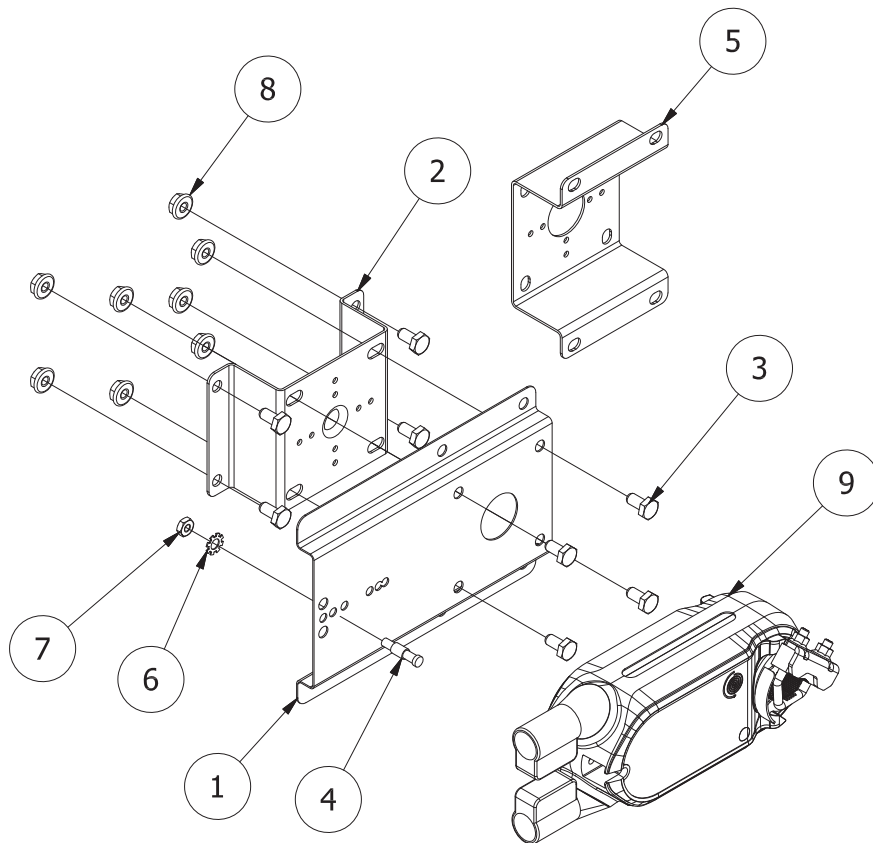


Damper with extension pin

6. Rotate damper blades to desired fail position (open) or (closed, ensure blade seals are compressed). Tighten (2) 10 mm hex nuts to allow 95 degrees of actuator rotation.
7. Wiring should be per an approved project or job wiring diagram and must comply with all applicable wiring codes.
8. Apply power to the actuator. Damper blades should fully open or close and return to the fail position when power is disconnected.

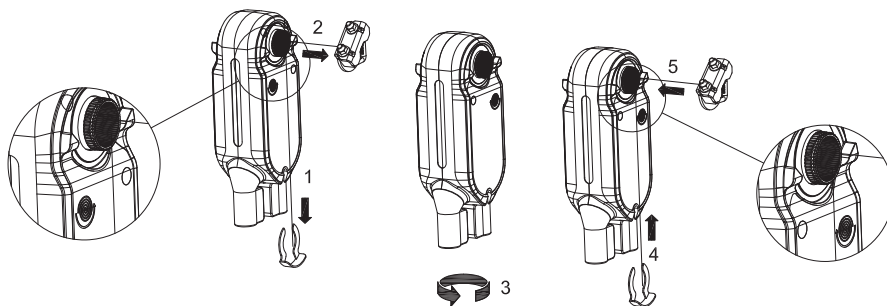
316 Stainless Steel Kit

Item	Part #	Description	Qty
1	689990	Anti-rotation bracket	1
2	687784	316SS standoff bracket	1
3	415868	¼-20x½ 316SS bolt	8
4	463888	316SS mounting stud	1
5	687405	316SS standoff bracket	1
6	416204	¼ 316SS lock washer	1
7	415702	#10-32 316SS nut	1
8	417305	¼-20 316SS spinlock nut	8
9	-	Honeywell actuator	1

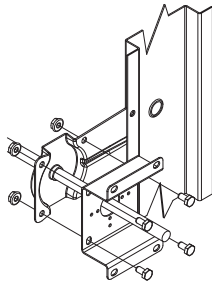


Instructions for 316SS Kit

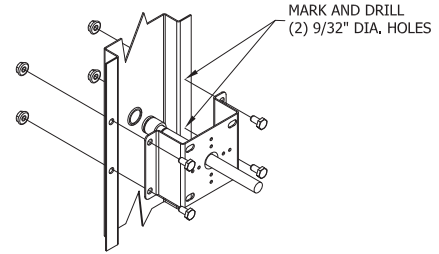
1. Determine actuator fail position and change actuator clamp location if necessary.
2. Lock actuator clamp in place using the retaining clamp.



3. Install stand-off bracket. Mark and drill $\frac{9}{32}$ in. holes (extension pin only).

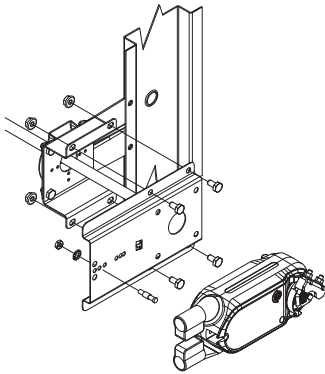


**Damper with
jackshaft**

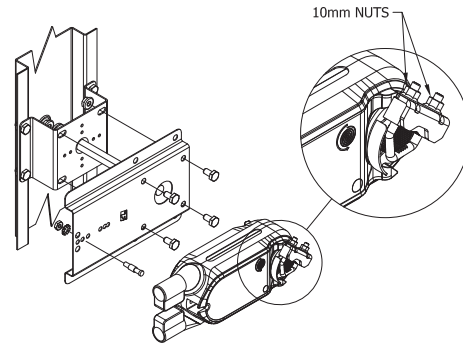


**Damper with extension
pin**

4. Install anti-rotation bracket and actuator. Anti-rotation bracket may be attached (a) perpendicular up, (b) perpendicular down or (c) parallel from duct (shown).



**Damper with
jackshaft**



**Damper with extension
pin**

5. Rotate damper blades to desired fail position (open) or (closed, ensure blade seals are compressed). Tighten (2) 10 mm hex nuts to allow 95 degrees of actuator rotation.

6. Wiring should be per an approved project or job wiring diagram and must comply with all applicable wiring codes.

7. Apply power to the actuator. Damper blades should fully open or close and return to the fail position when power is disconnected.

Our Commitment

As a result of our commitment to continuous improvement, Greenheck reserves the right to change specifications without notice.

Product warranties can be found online at Greenheck.com, either on the specific product page or in the literature section of the website at Greenheck.com/Resources/Library/Literature.

