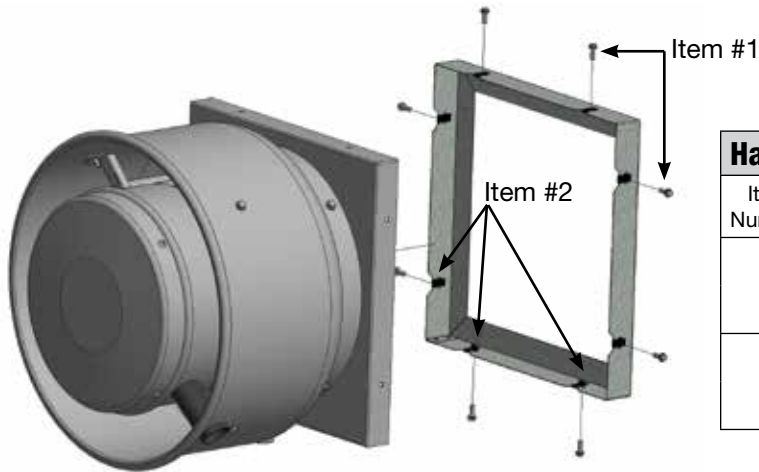


## Installation, Operation and Maintenance Manual

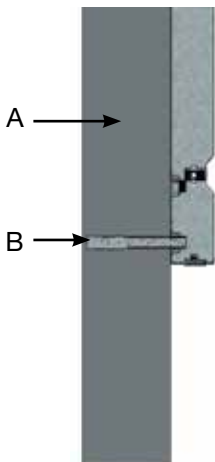
Please read and save these instructions for future reference. Read carefully before attempting to assemble, install, operate or maintain the product described. Protect yourself and others by observing all safety information. Failure to comply with these instructions will result in voiding of the product warranty and may result in personal injury and/or property damage.



Hardware List				
Item Number	Qty.	Fan Size	Description	Part Number
1	8	060-200	1/4 - 20 x 0.75" L Hex Bolt, Stainless Steel	415573
	14	220-300		
2	8	060-200	1/4 - 20 U Style Spring Nut, Black Phosphate Coated Steel	415244
	14	220-300		

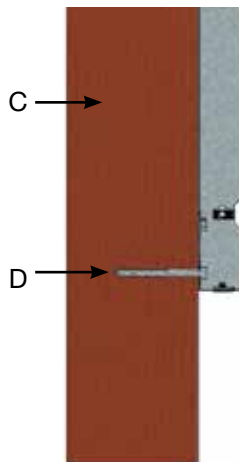
### Recommendations for Installation

Wall brackets have pre-punched 5/16 inch holes for mounting the bracket to the wall. Hole diameter may need to be increased depending on the anchor fasteners chosen by the installer. Quantity of fan-to-wall bracket fasteners vary by wall bracket size. Refer to 'Included Hardware' table above.



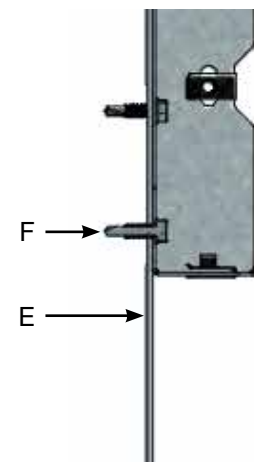
#### Concrete Anchoring

- A. Concrete - 4 inch minimum wall thickness. Minimum of 2,500 psi.
- B. Expansion Wedge Anchors
  - Min. of 3/8 inch diameter
  - Min. of 2 inch engagement
  - Use a washer under each nut



#### Timber Anchoring

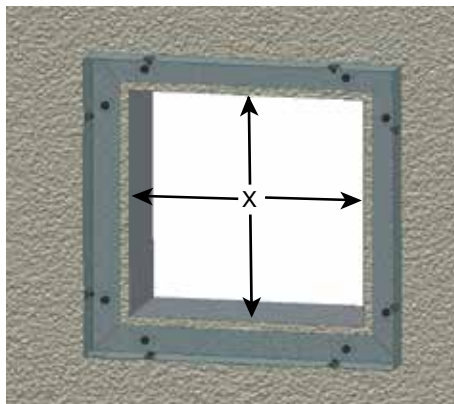
- C. Wood Timber - minimum nominal thickness of 4 inch.
- D. Lag Bolt
  - Min. of 5/16 inch diameter
  - Min. 2 inch of thread engagement
  - Use a washer under each bolt head



#### Steel Anchoring

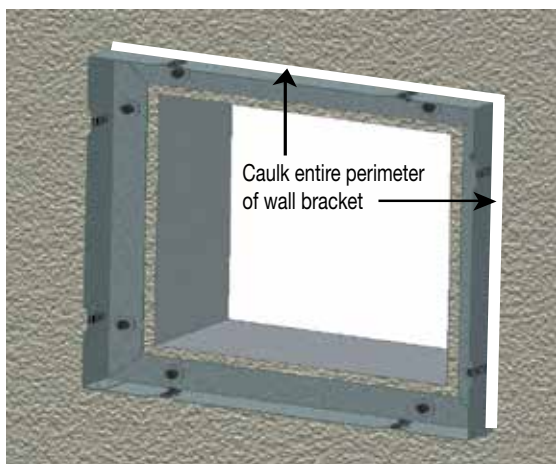
- E. Structural Steel
  - 1/8 inch thick or 12 ga min.
- F. Self-Drilling Screw
  - Min. size of #12
  - Min. 1/2 inch of thread hangout
  - Use a washer under each screw head.

Wall Opening Size		
Unit Size	Fan Curb Cap Size (in.)	Maximum Wall Opening - X (in.)
060-070	17	13
080-130	19	15
099-160	22	18
140-160	26	22
180-200	30	26
220-240	34	30
300	40	36



## Installation

1. Cut an appropriate sized hole in the wall based on the 'Wall Opening Size' table above.
2. Locate the wall bracket in the desired installation position and check for potential unit clearance issues.
3. Using the anchoring guidelines on page 1, fasten the wall bracket to the wall. If mounting a size 240 or 300, ensure the sides of the wall bracket with the four U-nuts are on the top and bottom.
4. Caulk the perimeter of the wall bracket to ensure a watertight seal. See Figure 1. Shims or additional sealant methods may be needed for an uneven wall surface.

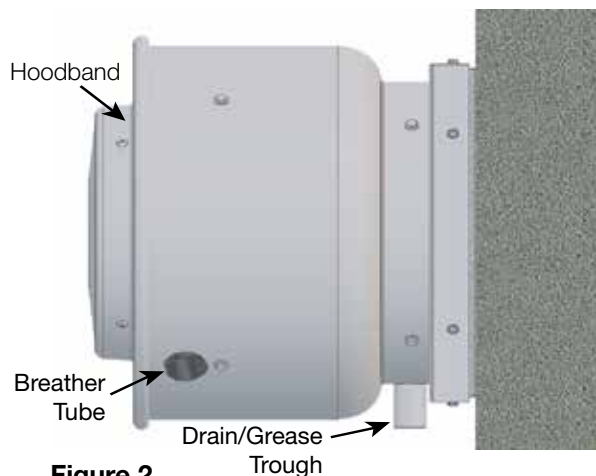


**Figure 1**

6. Lift the fan into place and orient the breather tube and drain/grease trough in a downward position as shown in Figure 2.

### NOTE

Do NOT support the unit by the hoodband during installation.



**Figure 2**

5. If the installation requires a backdraft damper, it should be installed in the duct at this time.

7. Secure fan to the wall bracket using the supplied 1/4 - 20 hex bolts. You may need to use a drift, small screwdriver, or the supplied bolts to properly position the U-nuts.
8. Complete fan installation using the instruction manual provided with the fan.