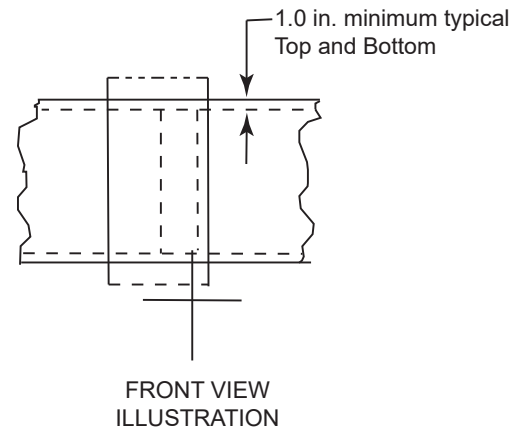
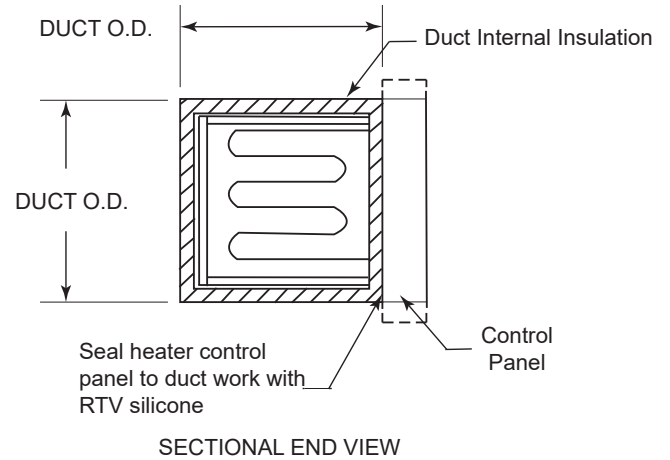


Refer to:

“Installation Instructions for IDHB and IDHE Duct heaters (Document Number 478052) for additional details

These instructions are for IDHE-O heater that are designed for and will be used in outdoor installation. In addition, this heater is rated for slip in application only.

- 1) **Duct Heater Installation:** The connection of the heater to the duct must be sealed with an RTV silicone/rubber material (GE 112, DOW 736, or DOW 738) to be watertight. Apply a bead of an approved RTV between the Duct Heater Control Panel and the Duct on all mating surfaces and around all of the mounting screw holes. Also apply the approved RTV to the threads of ¼ in. sheet metal screws before using them to install the heater to the duct. Heater insert cutout should leave a minimum of 1 inch of sheet metal above and below the cutout.
- 2) **Electrical Installation:** All conduit connections must be made with UL listed Rain Tight Hubs. All conduit connections in the side of the control panel require a tee and drain leg to keep water from entering the control panel. All conduit connections in the bottom of the control panel need to use conduit sealer and have a drip loop to keep water and moisture from entering the conduit and or control panel. Absolutely no conduit connections can be made in the top of the control panel. All conduit must be liquid tight rated.
- 3) **Required Maintenance:** The connection to the duct work and all conduit connections must be checked periodically to ensure that no water is getting into the control panel or element area of the duct work.



Safety Warning

Improper installation, adjustment, alteration, service or maintenance can cause property damage, injury or death. Read the installation, operating, and maintenance instructions thoroughly before installing or servicing this equipment.

Our Commitment

As a result of our commitment to continuous improvement, Greenheck reserves the right to change specifications without notice.

Product warranties can be found online at Greenheck.com, either on the specific product page or in the literature section of the website at Greenheck.com/Resources/Library/Literature.