

Installation, Operation and Maintenance Manual

Please read and save these instructions for future reference. Read carefully before attempting to assemble, install, operate or maintain the product described. Protect yourself and others by observing all safety information. Failure to comply with these instructions will result in voiding of the product warranty and may result in personal injury and/or property damage.

Description

Windband extensions are optional extensions which mount to the top of the fan to increase the discharge height. Windband extensions are used mainly in areas where additional discharge height is required to ensure exhausted air of the fan does not get pulled back into the building by the Make-Up Air unit. Extensions are a minimum of 12 inches high with a maximum height dependent on the size of the fan. They are designed to slip inside the fan's windband and attach with a buckle latch to the top bead of the windband.

CAUTION

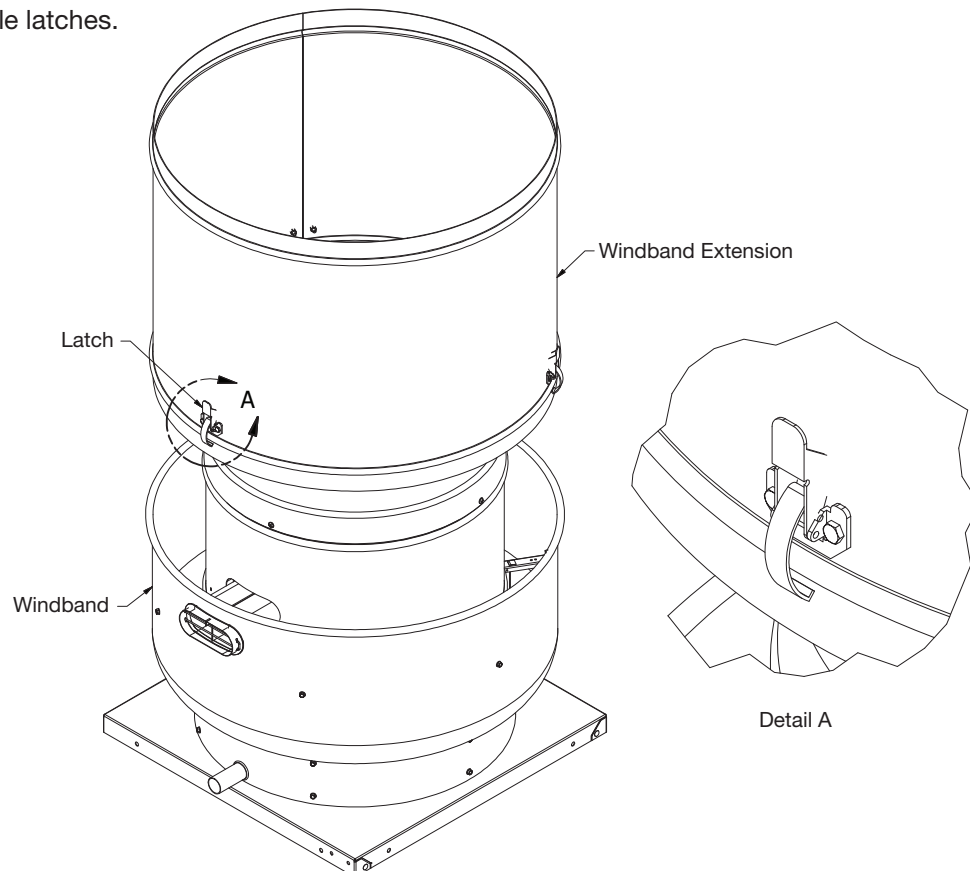
Automatically Operated Device: To reduce the risk of injury, disconnect from power supply before servicing. Do not depend on any switch as the sole means of disconnecting power when installing or servicing the fan. Always disconnect, lock and tag power source before installing or servicing. Failure to disconnect power source can result in serious injury. Motor may start without warning after thermal protector trips.

Installation

1. Place windband extension on bead of fan windband.
2. Windband extension should slip inside the fan windband.
3. Attach all buckle latches.

NOTE

Windband extensions are not stackable and are not to be used in high wind applications.



Our Commitment

As a result of our commitment to continuous improvement, we reserves the right to change specifications without notice.