

# Quick Start Guide

## SQ MIXED FLOW OUTDOOR COVER



- Outdoor Cover parts are shipped separate from the fan and are mounted in the field
- This Quick Start Guide does not replace the Installation Operation Manual (IOM), refer to the IOM for more information

### Parts List

- (1) Fan
- Outdoor cover kit
  - (2) End caps
  - (2) Mullions (size 27-33 only)
- Side panels
  - (2) Size 7-24
  - (4) Size 27-33
- Top panel(s)
  - (1) Size 7-24
  - (2) Size 27-33
- Hardware kit
  - (1) Size 7-22
  - (2) Size 24-33
- (1) Conduit kit
- (1) Disconnect switch (optional)
- (1) Isolator kit (optional)
- Liquid-tight conduit (supplied by others)

### Tools List

- Impact driver
- 5/16 inch nut driver
- C clamp locking pliers



### Step 1 - Mount Unit to Structure

- Place unit in desired location and mount to structure (outdoor units are horizontal base mount only)
- Isolation is recommended but not required, please use isolation if ordered

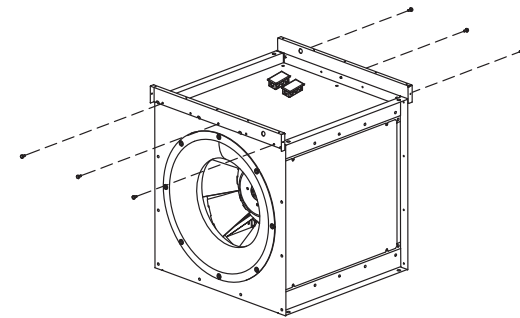
### Step 2 - Install Ductwork to Fan

- Apply sealant to duct connections
- Use holes on inlet and outlet to mount ductwork to fan (hardware supplied by others)
- Flexible duct connectors are recommended for mounting to the inlet and outlet of the fan
- Install fan with approximately three wheel diameters of straight duct before and after the fan

### Step 3 - Install End Caps

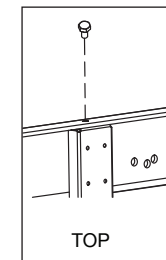
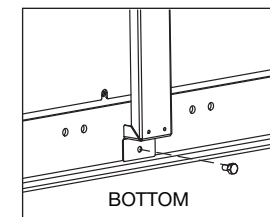
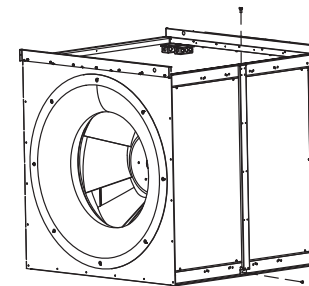
- TAKE CARE NOT TO DAMAGE THE FOAM TAPE ON END CAPS
- With flanges away from the fan, align the half moon cutouts on the end cap with screws on inlet or outlet
- Use the provided self-tapping sheet metal screws to fasten the end cap to the fan DO NOT OVER-TIGHTEN

- Install remaining end cap on the opposite side using provided self-tapping screws DO NOT OVER-TIGHTEN



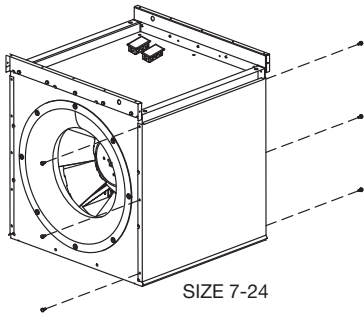
### Step 4 - Install Side Mullions (Sizes 27-33 only)

- Install left and right side mullions using (2) self-tapping sheet metal screws per side

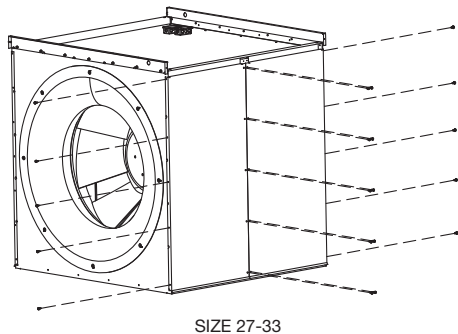


### Step 5 - Install Side Panels

- Install with the drip edge down and align the half-moon cutouts on the side panel with the inlet and outlet fasteners
- Fasten the side panels to the fan with the provided sheet metal screws
- Repeat for opposite side



- Sizes 27-33 have (2) panels per side, which are fastened to the inlet and outlet plates



### Step 6 - Mount Disconnect Switch (if applicable)

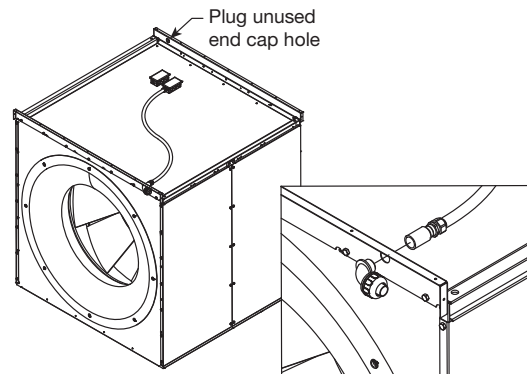
- Determine ideal location for disconnect switch
- Install per disconnect manufacturer's guidelines

### Step 7 - Install Conduit

- Connect the provided flexible metal conduit (FMC) and fitting assembly to the junction box with power
- Route opposite end of conduit assembly (with female connector) to hole in end cap.
- Insert liquid-tight connector into hole in end cap and screw into the female connector, as shown below
- Cut liquid-tight conduit (supplied by others) to length and install from elbow to disconnect switch or power supply

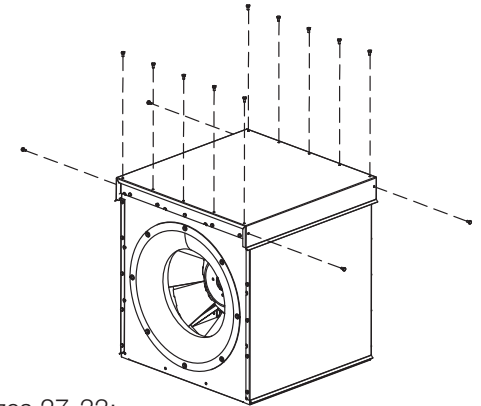
### Step 8 - Route Wiring to Junction Box

- Route wiring from junction box on top of fan to switch through all conduit and fittings
- Connect wiring to motor leads in junction box on top of the fan, replace the junction box cover
- Connect wiring to disconnect or power supply
- Junction boxes (and "Dial on Fan" if Vari-Green®) on top of the fan are inaccessible when outdoor cover is fully installed
- Using the plug provided in the conduit kit, plug the unused end cap hole



### Step 9 - Install Top Panel(s)

- TAKE CARE NOT TO DAMAGE THE FOAM TAPE ON THESE PARTS
- Size 7-24:  
Install top panel of outdoor cover to fan using provided self-tapping sheet metal screws



- Sizes 27-33:
  1. Install the first top panel with single return flange using provided self-tapping sheet metal screws (reference 1 below)
  2. Install the second top panel with double return flange by hinging it around the first panel as shown (reference 2 below)
  3. Use self-tapping sheet metal screws to mount second panel, filling all holes

