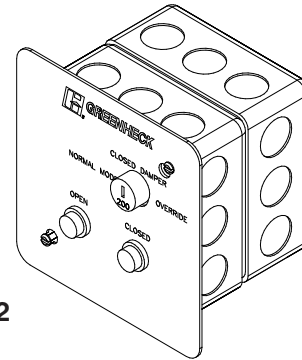


Refer to:

'Installation Instructions for FSD-XXX, DFD-XXX, and SSFSD-XXX Series Fire & Combination Fire Smoke Dampers' (Part #481318)

or

'Installation Instructions for SMD-XXX, SESMD-XXX, SSSMD-XXX and SMDR-XXX and SSSMDR-XXX Series Smoke Dampers' (Part #461338) for additional details.



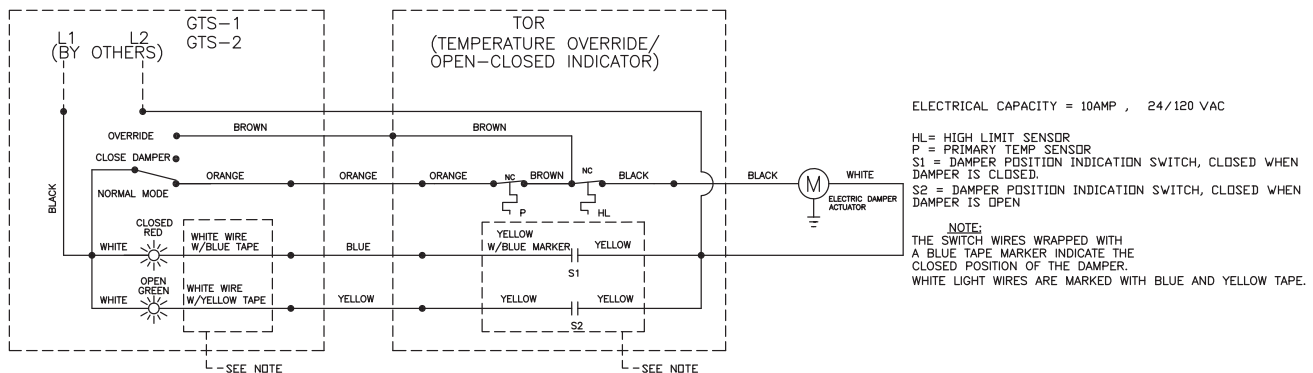
GTS-2

Greenheck Test Switch (GTS-2) is used in dynamic smoke management systems containing Combination Fire Smoke, Smoke, or Fire Dampers.

GTS-2

The GTS-2 can be used with combination fire smoke dampers equipped with Greenheck's TOR option. The GTS-2 has a key switch with red indicator light for closed damper, green for open damper. The GTS-2 has a three position control switch with the following options:

- **Normal** position - power is routed to the actuator through the primary, low-temperature, thermostat
- **Closed** position - power is cut to the actuator closing the damper
- **Override** position - power is routed to the actuator through the secondary, high - temperature, thermostat. This position is used to reopen the damper for smoke control purposes after the damper's primary thermostat has tripped and closed the damper. The damper will close when the secondary thermostat's temperature is reached, when a smoke detector senses smoke or when power is cut by a smoke or building management system.



Our Commitment

As a result of our commitment to continuous improvement, Greenheck reserves the right to change specifications without notice.

Product warranties can be found online at Greenheck.com, either on the specific product page or in the literature section of the website at Greenheck.com/Resources/Library/Literature.