

Application

Model ABD-FD is an automatic balancing damper with a UL 555 rated 1½ or 3 hour static fire damper. The damper is designed to maintain a constant airflow volume in HVAC applications. The damper blade is calibrated to automatically adjust to changing pressures. The assembly will include an UL 2043 rated ABD, flanged sleeve, UL 555 rated curtain fire damper (FD-150 or FD-350), and optional grille. The ABD-FD can be used in both supply and exhaust applications, and must be mounted vertically.

Ratings

Pressure

0.2 in wg to 2.0 in. wg (0.05 kPa to 0.5kPa)

Volume

25 cfm to 275 cfm (0.012 m³/s to 0.130 m³/s) size dependent

Temperature

25°F to 150°F (-4°C to 65°C)

UL Classified

UL 2043 for heat and visible smoke release

UL 555 for fire



Construction

	Standard
Frame Material	Reinforced UL 94 Thermoplastic Resins
Blade Material	Reinforced UL 94 Thermoplastic Resins
Bearings	Hydraulic blade dampener
Outer Seal	Removable rubber gasket
Spring	Stainless steel leaf type
Anti-Microbial Agent	Steri-Balance™ infused into plastic
Adapter	Quick-connect adapter ring included

Airflow Range by Size

Diameter (mm)	Individual Set Points	Airflow Range - CFM* (m³/s)
4 in (102)	20	25 to 130 (.012 to .061)
6 in (152)	24	50 to 275 (.024 to .130)

* Note: Airflow range determined through +/- 10% of average airflow over the pressure range.



See complete marking on product.

UL 2043 Classification
R39668 (ABD)

UL 555 Classification
R13317 (FD-150 or FD-350)

Grille and Damper Size by Diameter

Diameter	Grille and Damper Size in inches (mm)
4 in (102mm)	6 x 6, 8 x 8, 10 x 10, and 12 x 12 (152 x 152, 203 x 203, 254 x 254, and 305 x 305)
6 in (152mm)	8 x 8, 10 x 10, and 12 x 12 (203 x 203, 254 x 254, and 305 x 305)

Document Links

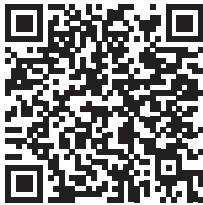
[Instruction Manual](#)



[ABD Trifold](#)



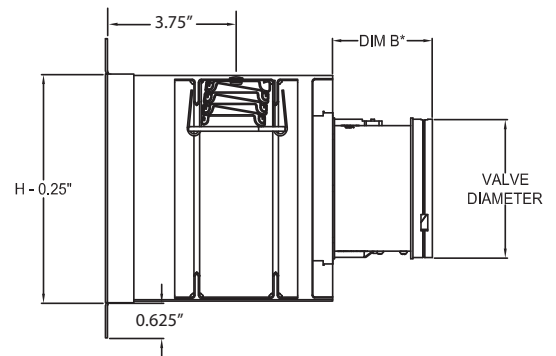
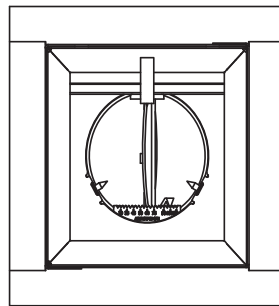
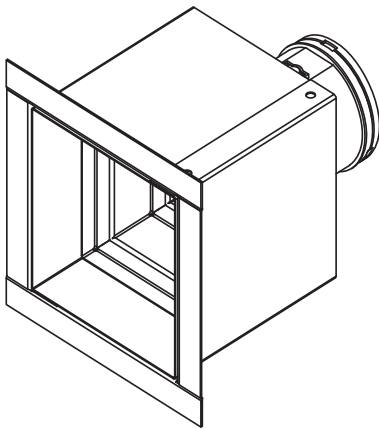
[Warranty](#)



[Damper Interactive Selection Guide](#)



Dimensional Drawings - Exhaust Mount

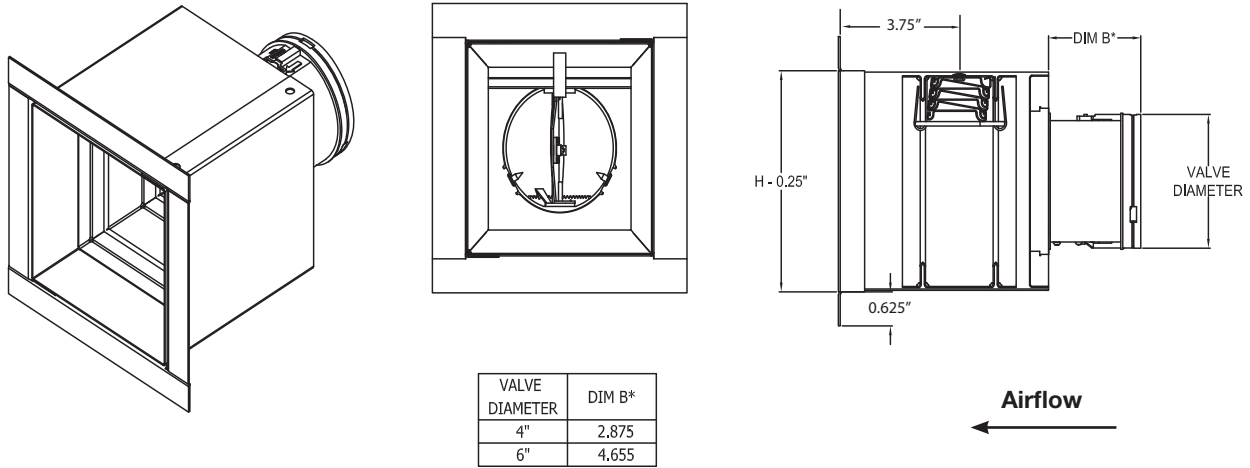


VALVE DIAMETER	DIM B*
4"	2.875
6"	4.655

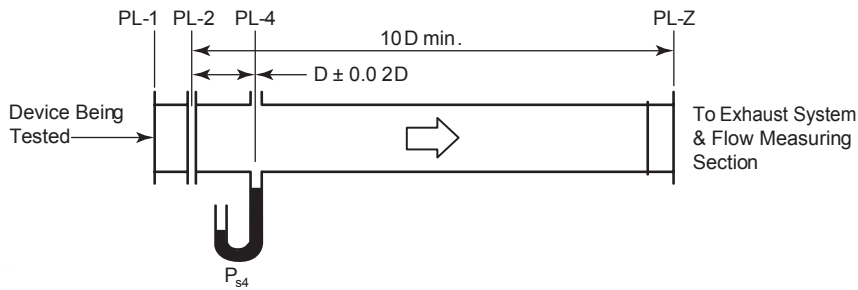
Dimensional Drawings - Supply Mount

ABD-FD

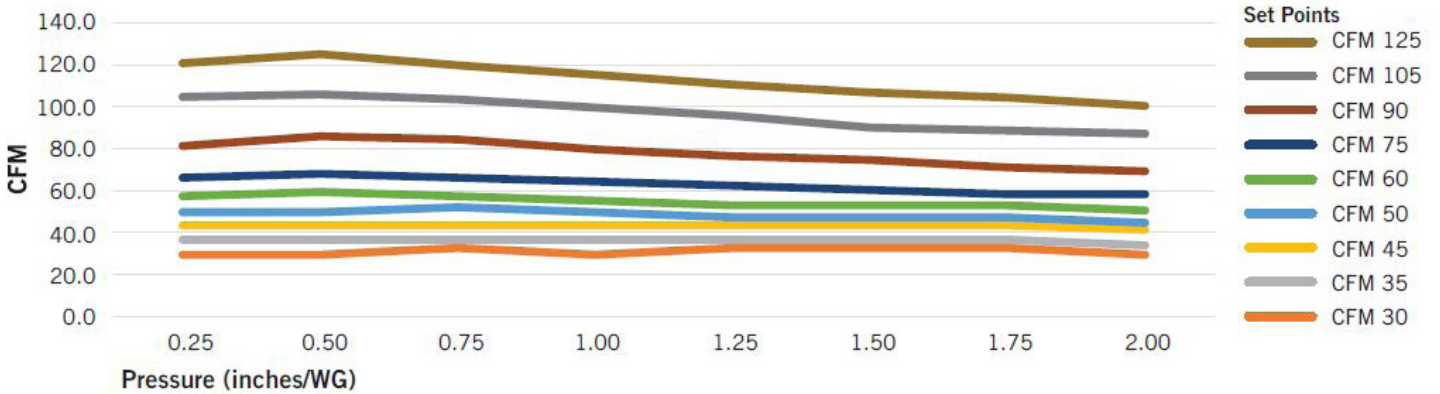
Automatic Balancing Damper



Performance Data - Tested to AMCA Figure 5.1



ABD - 4 and 5 inch



ABD - 6 inch

