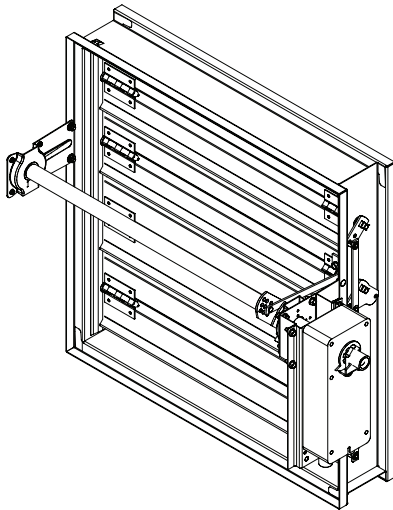


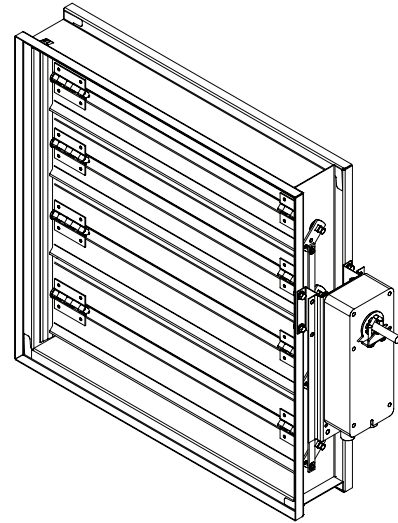
The actuator mounting may vary based on specific damper configuration. Consult factory for specific actuator mounting information is needed. For vertical blade dampers, the blades would be vertical position and the actuator would be on the top or bottom.

Factory Actuator

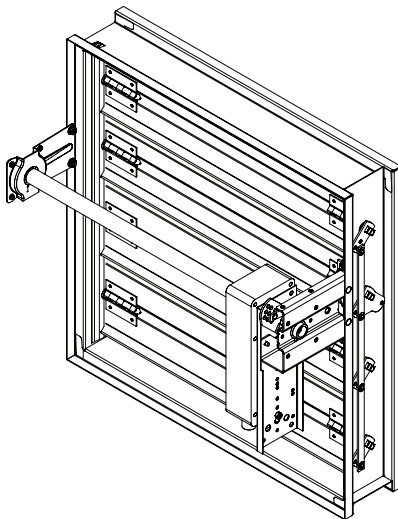
The examples below show right-hand mounted actuators. Left hand mounted actuator is available.



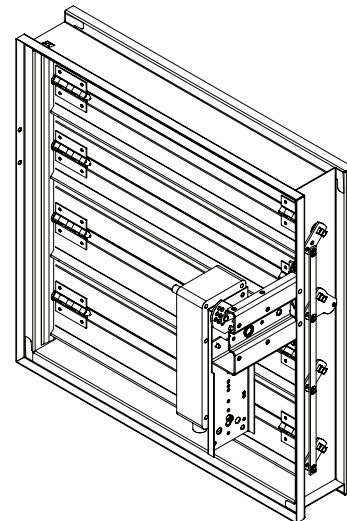
Jackshaft external right



Non-jackshaft external right



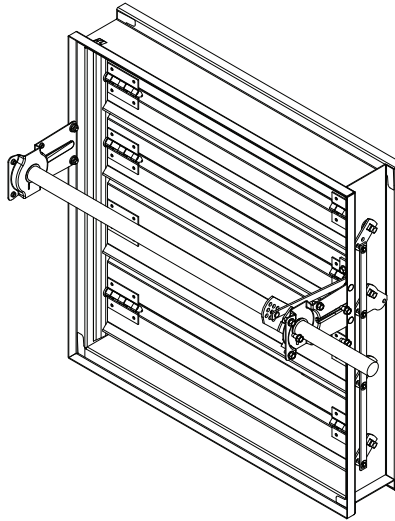
Jackshaft internal right



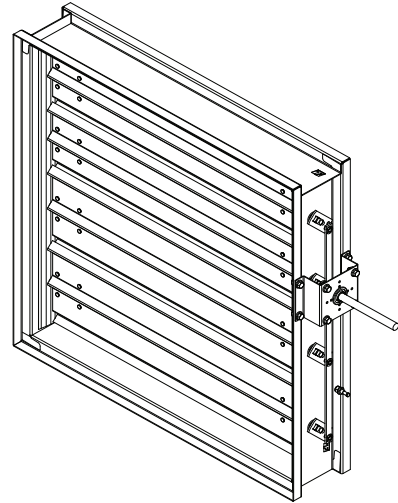
Non jackshafted- internal right

Customer Supplied Actuator

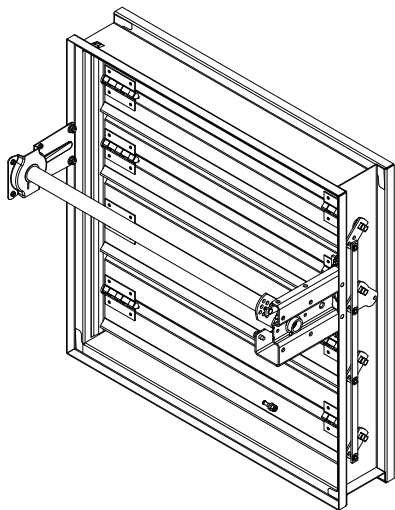
The examples below show right hand mounting. Left hand mounting is available.



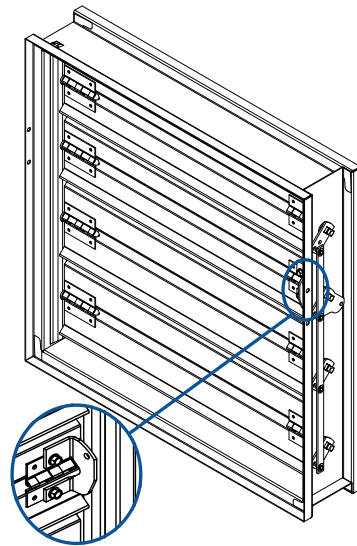
Jackshaft - external right



Non-jackshafted - external right
includes extension pin. Standoff
bracket is optional.



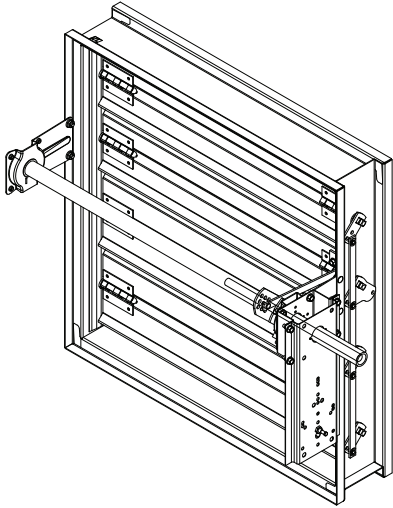
Jackshaft - internal right



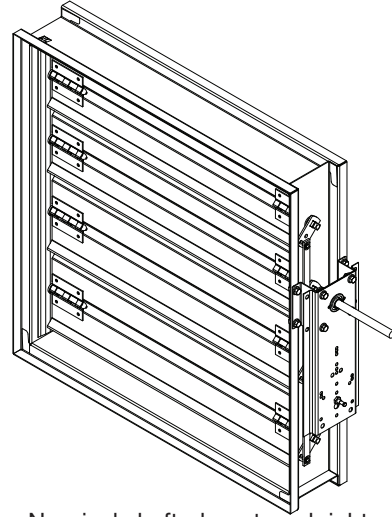
Non-jackshaft - internal right

Bracket Only

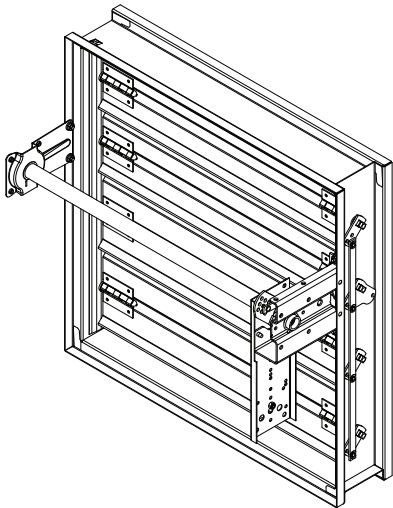
This bracket works with most direct drive actuators. Right hand mouting shown, left hand is available.



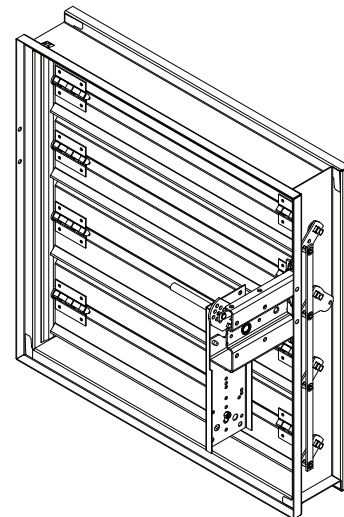
Jackshaft - external right



Non-jackshafted - external right



Jackshaft - internal right



Non-jackshafted - internal right