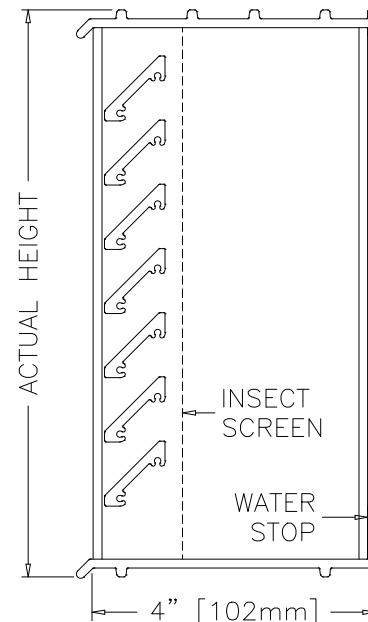


Standard Construction

Frame	Heavy gauge extruded 6063-T5 aluminum, 4 in. (102 mm) x 0.125 in. (3 mm) nominal wall thickness
Blades	Heavy gauge extruded 6063-T5 aluminum, 0.125 in. (3 mm) nominal wall thickness, positioned 45°
Louver Depth	4 in. (102 mm)
Construction	Mechanically fastened
Finish	204-R1 Clear Anodized
Available Size	8 1/8 in. W x 2 3/8 in. H (206 mm W x 60 mm H) 8 1/8 in. W x 4 3/4 in. H (206 mm W x 121 mm H) 8 1/8 in. W x 7 3/4 in. H (206 mm W x 197 mm H) 12 in. W x 2 3/8 in. H (305 mm W x 60 mm H) 12 in. W x 4 3/4 in. H (305 mm W x 121 mm H) 12 in. W x 7 3/4 in. H (305 mm W x 197 mm H) 12 in. W x 11 3/4 in. H (305 mm W x 298 mm H) 15 5/8 in. W x 7 3/4 in. H (397 mm W x 197 mm H) 15 5/8 in. W x 15 3/4 in. H (397 mm W x 400 mm H) 16 1/2 in. W x 2 3/8 in. H (419 mm W x 60 mm H) 16 1/2 in. W x 4 3/4 in. H (419 mm W x 121 mm H) 16 1/2 in. W x 7 3/4 in. H (419 mm W x 197 mm H) 16 1/2 in. W x 15 3/4 in. H (419 mm W x 400 mm H) 24 in. W x 2 3/8 in. H (610 mm W x 60 mm H) 24 in. W x 4 3/4 in. H (610 mm W x 121 mm H) 24 in. W x 7 3/4 in. H (610 mm W x 197 mm H) 32 in. W x 7 3/4 in. H (813 mm W x 197 mm H) 48 in. W x 7 3/4 in. H (1219 mm W x 197 mm H)



Options and Accessories

- Opposed Blade Damper
- Straight Duct
(0.063 in. (2 mm) aluminum for up to 18 in. (457 mm) wall thickness)
- [Variety of Architectural Finishes](#)

Document Links

[Louver Finishes & Colors](#)

[Louver Product Selection Guide](#)

[Louver Products Catalog](#)

[Louver Warranty Statement](#)

Free Area Chart

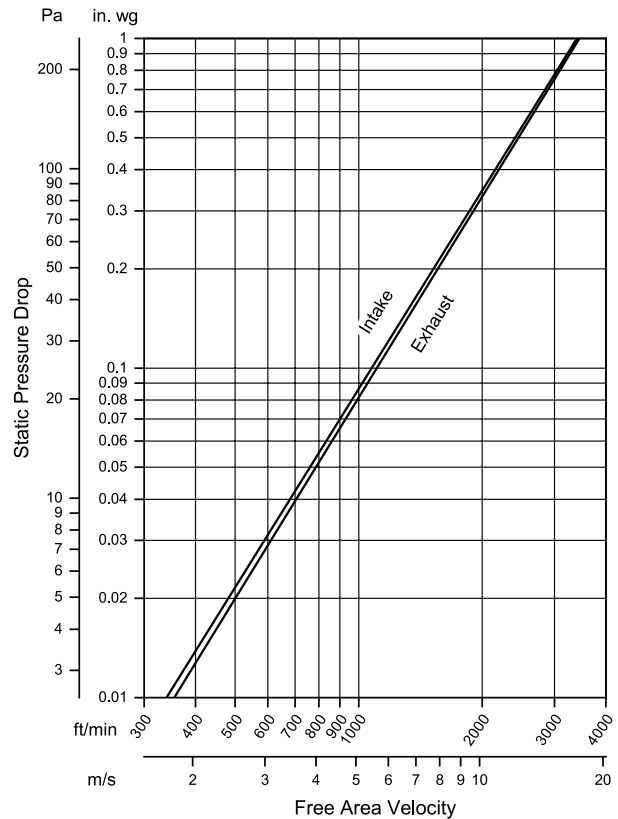
Free Area Chart shows free area in square feet and square meters.

Louver Height Inches (Meters)	Louver Width in Inches (Meters)						
	8	12	15.63	16.5	24	32	48
0.20	0.20	0.30	0.40	0.42	0.61	0.81	1.22
2.38	0.029	0.044	na	0.060	0.088	na	na
0.06	0.003	0.004	na	0.006	0.008	na	na
4.75	0.080	0.120	na	0.196	0.271	na	na
0.12	0.007	0.011	na	0.018	0.025	na	na
7.75	0.136	0.204	0.263	0.280	0.408	0.543	0.678
0.20	0.013	0.019	0.024	0.026	0.038	0.050	0.063
11.75	na	0.310	na	na	na	na	na
0.30	na	0.029	na	na	na	na	na
15.75	na	na	0.540	0.575	na	na	na
0.40	na	na	0.050	0.053	na	na	na

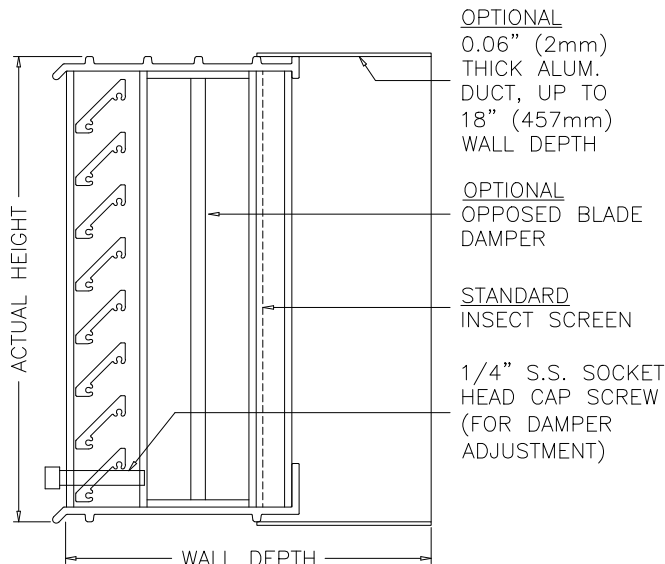
Airflow Resistance

Standard Air - 0.075 lb/ft³ (1.2 kg/m³)

Test size 48 in. x 48 in. (1219 mm x 1219 mm)



Option Drawing



Model BVE resistance to airflow (pressure drop) varies depending on louver application (air intake or air exhaust). Free area velocities (shown) are higher than average velocity through the overall louver size. See louver selection information. (Test Figure 5.5-6.5)