

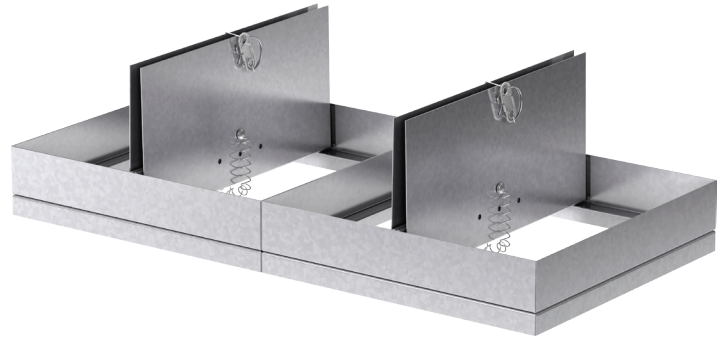
## Application

The CRD-1LP (low profile) is an ETL listed and labeled for protection of ceiling openings in fire rated floor/ceiling assemblies with fire resistance ratings of 3 hours or less. CRD-1LP is intended to be used on applications with limited blade clearance. This product can also be applied to steel lay-in style ceiling diffusers up to 24 in. x 24 in. (610mm x 610mm) maximum size when installed with an approved thermal blanket.

## Construction

Construction		Standard	Optional
<b>Frame Material</b>		Galvanized steel*	-
<b>Frame Type</b>		Standard	Top, Bottom, or Top/Bottom Extension
<b>Blade Material</b>		Galvanized steel*	-
<b>Closure Device</b>		Fusible link	Volume controller
<b>Fusible Link</b>		165°F (74°C)	212°F (100°C)
<b>Blade Insulation</b>	Under 115.46 sq. in. (74,490 sq. mm)	Not required	-
	Over 115.46 sq. in. (74,490 sq. mm)	Non-asbestos UL classified	-

\* in gauges required by UL listing R13446

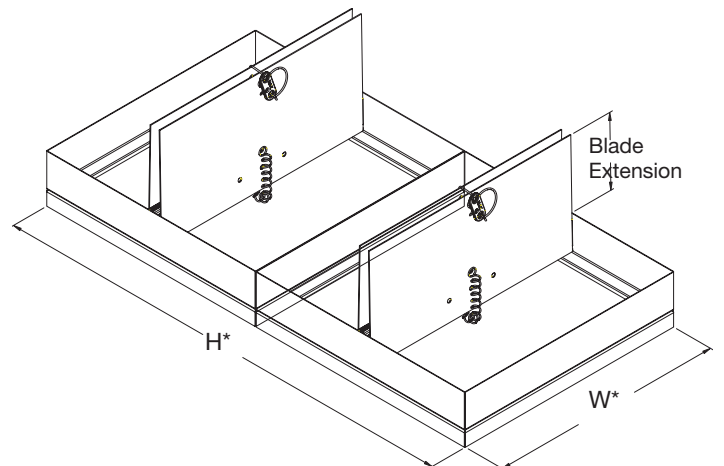


Model CRD-1LP meets the requirements for ceiling radiation dampers established by:

- National Fire Protection Association NFPA Standards 90A, and 101
- International Building Codes (IBC)

## Size Limitations

W & H	Minimum Size	Maximum Size
<b>Inches</b>	4 x 12	24 x 24
<b>mm</b>	101 x 305	610 x 610



\*W & H dimension furnished approximately 1/4 in. (6mm) undersize.

## Document Links



[INSTALLATION](#)



[CATALOG](#)



[SELECTION GUIDE](#)

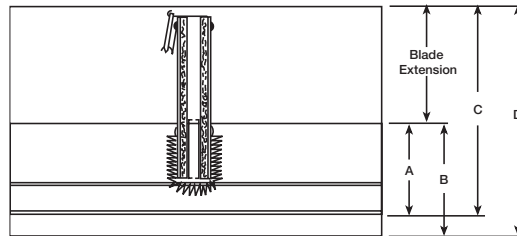


[SPECIFICATIONS](#)



[WARRANTY](#)

## Frame Options

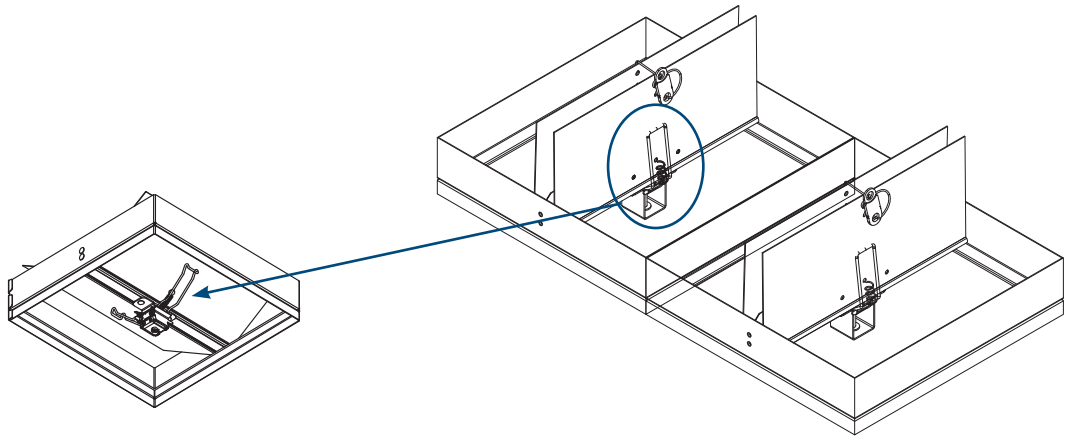


$$\text{Blade Extension} = \text{Nominal Height}/4 - 2.375$$

Frame Dimensions					
Damper Model	Height (in.)	A	B	C	D
CRD-1LP Standard Frame	12 - 24	2 <sup>3</sup> / <sub>16</sub>	-	-	-
CRD-1LP B Bottom Extension	12 - 24	-	4 <sup>3</sup> / <sub>4</sub>	-	-
CRD-1LP T Top Extension	12 - 16 <sup>1</sup> / <sub>2</sub>	-	-	4 <sup>3</sup> / <sub>4</sub>	-
	16 <sup>1</sup> / <sub>2</sub> - 20 <sup>1</sup> / <sub>4</sub>	-	-	5 <sup>3</sup> / <sub>4</sub>	-
	20 <sup>1</sup> / <sub>4</sub> - 24	-	-	6 <sup>3</sup> / <sub>4</sub>	-
CRD-1LP BT Bottom and Top Extension	12 - 16 <sup>1</sup> / <sub>4</sub>	-	-	-	6 <sup>7</sup> / <sub>8</sub>
	16 <sup>1</sup> / <sub>2</sub> - 20 <sup>1</sup> / <sub>4</sub>	-	-	-	7 <sup>7</sup> / <sub>8</sub>
	20 <sup>1</sup> / <sub>4</sub> - 24	-	-	-	8 <sup>7</sup> / <sub>8</sub>

### Volume Controller

A volume controller is used to manually set the blades at a given angle to regulate the airflow (24 in. x 24 in. [610mm x 610mm] maximum). Adjusting the cap screw will open and close the blades.



### Thermal Blanket

Ceramic fiber or mineral wool thermal blankets are available.

