

Application

The CRD-1WJ is a UL classified ceiling radiation damper for installation in wood joist construction with ratings up to an one hour. The CRD-1WJ provides the ceiling radiation damper installed in an insulated steel enclosure. The damper is positioned in the enclosure to accommodate 1½ in. (38mm) grille depth.

Construction

Construction	Standard	Optional
Frame Material	Galvanized steel*	-
Blade Material	Galvanized steel*	-
Blade Insulation	Ceramic Fiber	-
Closure Device	Fusible link	Volume controller
Fusible Link	165°F (74°C)	212°F (100°C)
Enclosure Insulation	Ceramic fiber blanket	-
Inlet Shape	Round	
Inlet Type	R	C, O
Factory Supplied Plenum	None	Steel
Sealed Plenum Box	No	Yes

* in gauges required by UL listing R13446

Insulation provided by Greenheck.

Options

- Clean wrap
- Extra fusible links



Damper is actual size. Shown with optional factory supplied plenum.



See complete marking on product.

UL 555C Classification
R13446

Model CRD-1WJ meets the requirements for ceiling radiation dampers established by:

- National Fire Protection Association
NFPA Standards, 90A and 101
- International Building Codes (IBC)
- CSFM Californial State Fire Marshal
Fire Damper Listing (#3225-0981:0101)

UL Fire Resistance Directory Approved Ceiling Design Number:

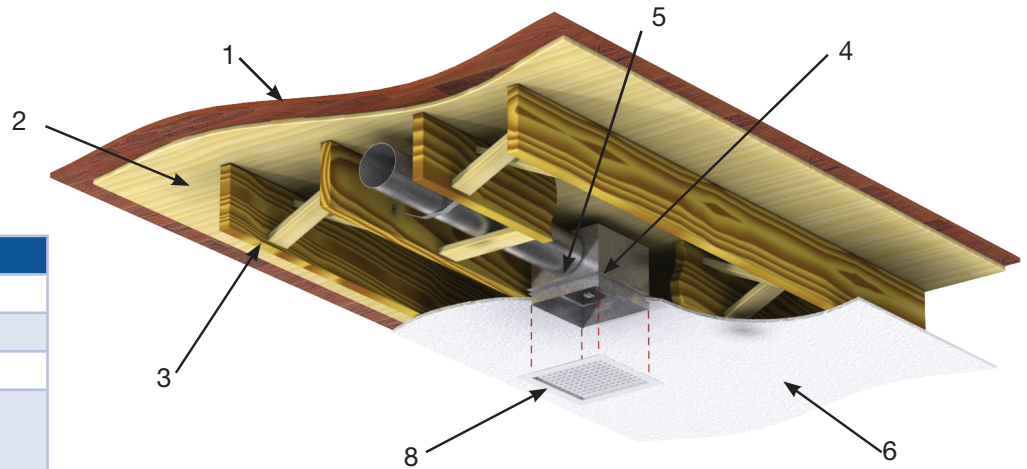
[L501](#), [L502](#), [L503](#), [L506](#), [L507](#), [L508](#), [L512](#), [L513](#), [L514](#), [L515](#), [L516](#), [L517](#), [L519](#), [L522](#), [L523](#), [L533](#), [L537](#), and [L545](#)

Click on design number to open UL Fire Resistance Directory
Other proprietary UL design numbers may be similar. Approval by AHJ or local code is required to use a Greenheck design when not specified.

GA File No.	UL Design No.
FC5525	L502
FC 5526	L513
FC5527	L515

GA = Gypsum Association Fire Resistance Manual

Wood Joist System



Number	Description
1	Flooring Systems
2	Wood Joists
3	Cross Bridging
4	CRD-1WJ Assembly (damper, steel enclosure, & insulation)
5	Mounting angle - not supplied
6	Gypsum board (see UL Fire Resistance Directory for type)
7	Finishing System (not shown)
8	Grille - not supplied

Document Links



[INSTALLATION](#)



[CATALOG](#)



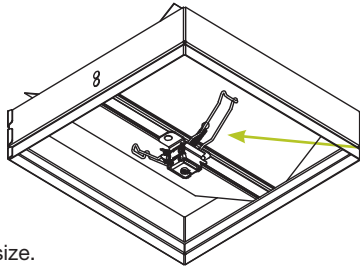
[DAMPER SELECTION
GUIDE](#)



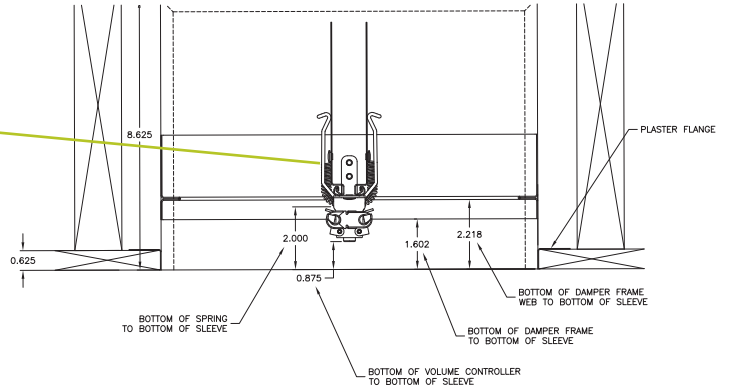
[SPECIFICATIONS](#)



[WARRANTY](#)



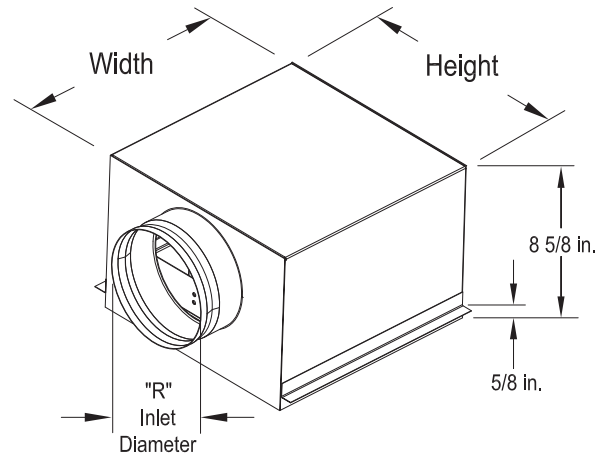
Damper is actual size.



Inlet

Inlet Size Limitations		
W X H in. (mm)	Minimum	Maximum
R*	3 (76)	6 (152)

* Diameter Inlet size is limited by the damper height specified.



R inlet is undersized 1/8 in. (3.2mm).