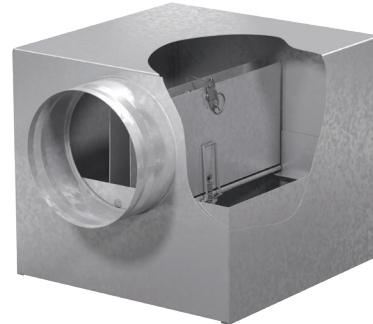


Application

The CRD-1WT is a UL classified ceiling radiation damper for installation in wood truss ceiling construction with ratings up to 1 hour.

The CRD-1WT provides the ceiling radiation damper with a plaster flange attached around the perimeter of the damper. The damper is positioned either flush with the ceiling for duct connection or above the ceiling for grille installation. The CRD-1WT damper must be installed with a plenum (factory or field supplied).



Damper is actual size, not undersized.

Construction

Construction	Standard	Optional
Frame Material	Galvanized steel*	-
Blade Material	Galvanized steel*	-
Closure Device	Fusible link	Volume controller
Fusible Link	165°F (74°C)	212°F (100°C)
Mounting Style	Grill mount	Duct mount
Factory Plenum	None	Steel, Ductboard
Collar Location	Height Side	Width Side, None

* in gauges required by UL listing R13446



See complete marking on product.
 UL 555C Classification
 R13446

Model CRD-1WT meets the requirements for ceiling radiation dampers established by:

- National Fire Protection Association NFPA Standards 90A, and 101
- International Building Codes (IBC)
- CSFM California State Fire Marshal Fire Listing (#3225-0981:0101)

Damper Size Limitations		
W x H	Minimum	Maximum
in.	4 x 6	21 x 18
mm	102 x 152	533 x 457
Duct Collars		
in.	4	10*
mm	102	254

* Maximum combined area of plenum is 78½ sq. in. (1994 sq. mm).

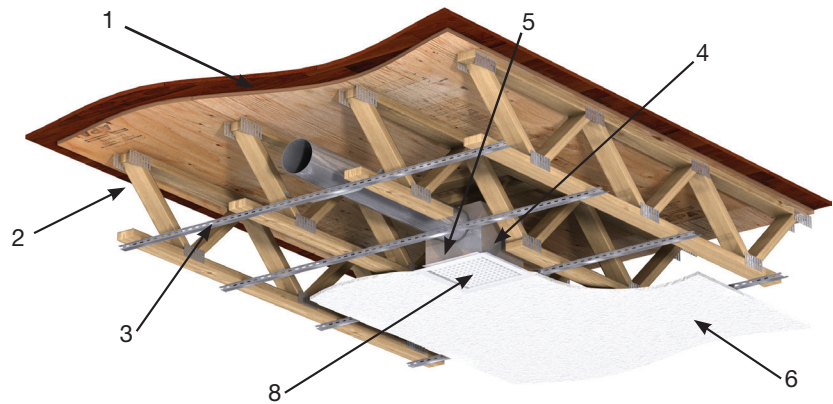
UL Fire Resistance Directory Approved Ceiling Design Number:

[L528](#), [L546](#), [L558](#), [L562](#), [L574](#), [L576](#), [L581](#), [L583](#), [L585](#), [L592](#), [M501](#), [M503](#), [M508](#), [P533](#), [P538](#), [P545](#), [P547](#), [P548](#), [P554](#), and [P580](#)

Click on design number to open UL Fire Resistance Directory
 Other proprietary UL design numbers may be similar. Approval by AHJ or local code is required to use a Greenheck design when not specified.

Wood Truss Assembly

Number	Description
1	Flooring Systems
2	Wood Truss
3	Cross Bridging
4	CRD-1WT Assembly
5	Mounting angle- not supplied
6	Gypsum board (see UL Fire Resistance Directory for type)
7	Finishing System (not shown)
8	Grille - not supplied



Options

- [Volume controller](#)
- Sealed plenum
- [ABD - Automatic Balancing Damper](#)

Document Links



[INSTALLATION](#)



[CATALOG](#)



[SELECTION GUIDE](#)



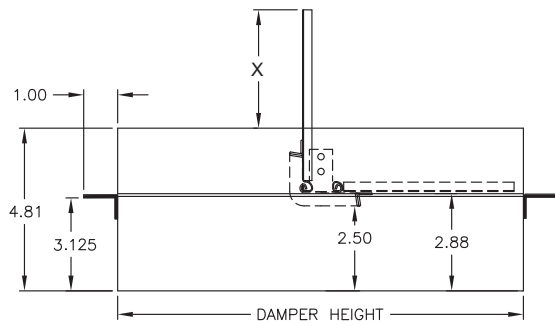
[SPECIFICATIONS](#)



[WARRANTY](#)

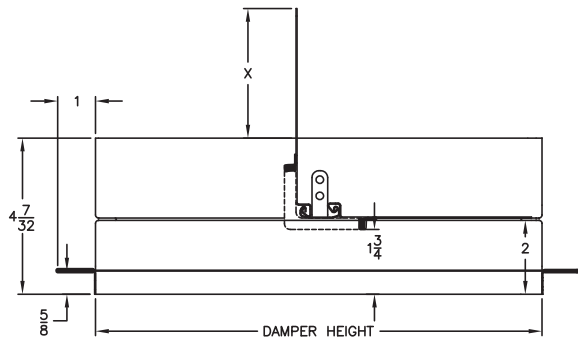
Damper Mounting Styles

Duct Mount

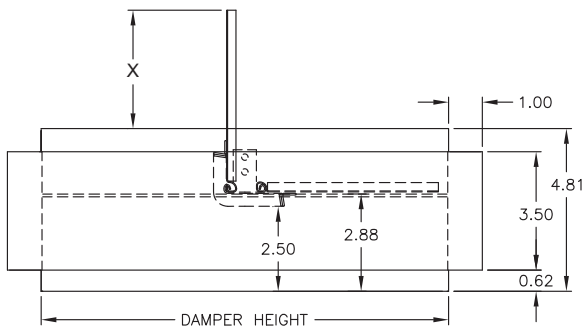


$$X = (\text{Nominal Height}/2) - 2.375$$

Grille Mount



$$X = (\text{Nominal Height}/2) - 2.375$$

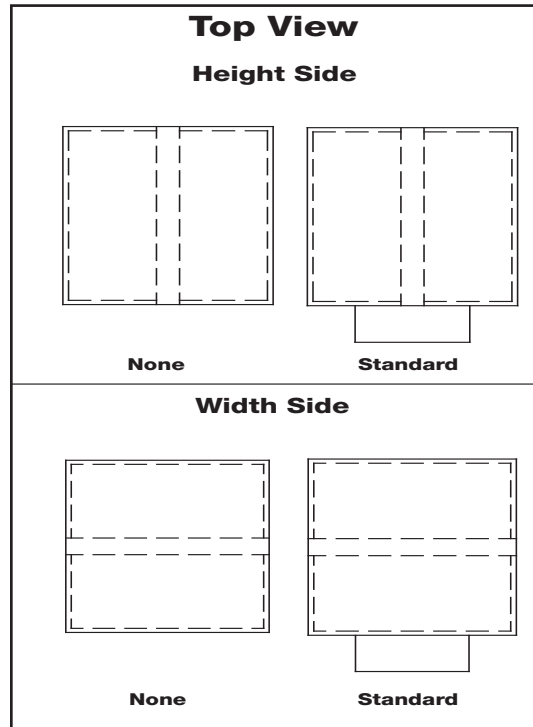


CRD-1WT with Insulation Band

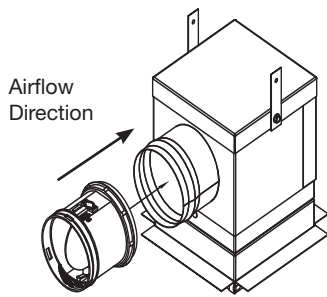
$$X = (\text{Nominal Height}/2) - 2.375$$

(* used on dampers with steel plenum and a width or height greater than 12 inches.

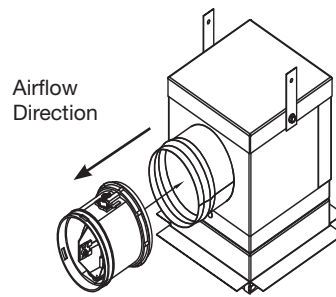
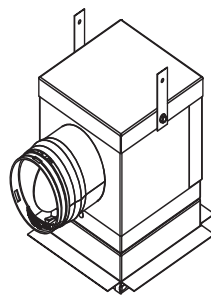
GA File No.	UL Design No.
FC 5012	M508
FC 5078	L558
FC 5101	L574, M508
FC 5119	L592
FC 5121	L528, L546, L574, M508
FC 5514.4	L585
FC 5515	L528
FC 5515.3	M503
FC 5516	L528
FC 5519	L574
FC 5521	L562
FC 5528	L528
RC 2603	P533
RC 2604	P554
RC 2606	P545
RC 2609	P538
RC 2612	P545, P554
GA = Gypsum Association Fire Resistance Manual 22 nd Edition	



ABD Installation for Supply and Exhaust Applications



ABD INSTALLATION
FOR SUPPLY APPLICATIONS



ABD INSTALLATION
FOR RETURN/EXHAUST APPLICATIONS