

Application

The CRD-1 is a UL555C classified damper designed for protection of ceiling openings in fire rated floor/ceiling assemblies with fire resistance ratings of 3 hours or less. This product can also be applied to steel lay-in style ceiling diffusers up to 24 in. x 24 in. (610mm x 610mm) maximum size when installed with an approved thermal blanket.

Construction

| Construction | | Standard | Optional |
|-------------------------|--------------------------------------|----------------------------|--------------------------------------|
| Frame Material | | Galvanized steel* | - |
| Frame Type | | Standard | Top, Bottom, or Top/Bottom Extension |
| Blade Material | | Galvanized steel* | - |
| Closure Device | | Fusible link | Volume controller |
| Fusible Link | | 165°F (74°C) | 212°F (100°C) |
| Blade Insulation | Under 115.46 sq. in. (74,490 sq. mm) | Not required | - |
| | Over 115.46 sq. in. (74,490 sq. mm) | Non-asbestos UL classified | - |

* in gauges required by UL listing R13446

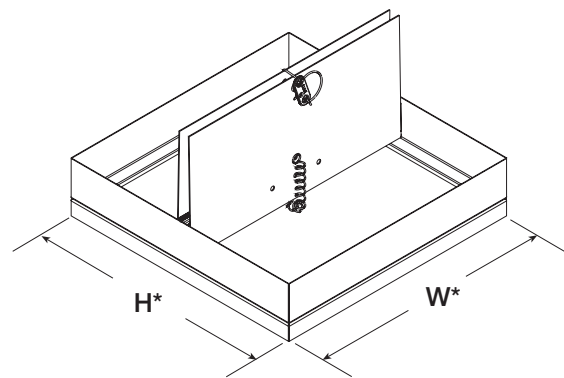


See complete marking on product.
UL 555C Classification
R13446

Model CRD-1 meets the requirements for ceiling radiation dampers established by:

- National Fire Protection Association NFPA Standards 90A, and 101
- International Building Codes (IBC)
- CSFM California State Fire Marshal Fire Listing (#3225-0981:0101)

| W & H | Minimum Size | Maximum Size |
|---------------|--------------|--------------|
| Inches | 4 x 6 | 24 x 24 |
| mm | 101 x 152 | 610 x 610 |



*W & H dimensions furnished approximately 1/4 in. (6mm) under size.

Document Links



[INSTALLATION](#)



[CATALOG](#)



[SELECTION GUIDE](#)

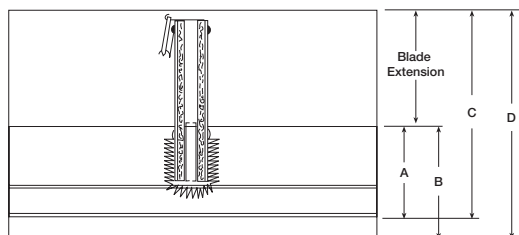


[SPECIFICATIONS](#)



[WARRANTY](#)

Frame Options

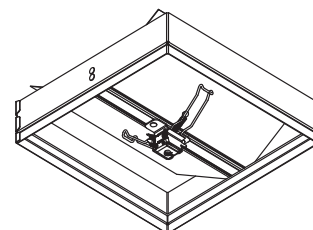


Blade Extension = Nominal Height/2 - 2.375

| Frame Option Dimensions | | | | | |
|----------------------------------|-----------------|---------|-------|-------|--------|
| Damper Model | Height (in.) | A | B | C | D |
| CRD-1 Standard Frame | 6 - 24 | 2 13/16 | - | - | - |
| CRD-1B Bottom Extension | 6 - 24 | - | 4 3/4 | - | - |
| CRD-1T Top Extension | 6 - 10 1/4 | - | - | 6 3/4 | - |
| | 10 1/2 - 16 1/4 | - | - | 9 3/4 | - |
| CRD-1BT Bottom and Top Extension | 6 - 10 1/4 | - | - | - | 8 7/8 |
| | 10 1/2 - 16 1/4 | - | - | - | 11 7/8 |
| | 16 1/2 - 24 | - | - | - | 14 7/8 |

Volume Controller Option

A volume controller is used to manually set the blades at a given angle to regulate the airflow (24 in. x 16 in. [610mm x 406mm] maximum). Adjusting the cap screw will open and close the blades.



Thermal Blanket Option

Ceramic fiber or mineral wool thermal blanket available.

