

Application

The CRD-1LP (low profile) has been UL tested and labeled for protection of ceiling openings in fire rated floor/ceiling assemblies with fire resistance ratings of 3 hours or less. CRD-1LP is intended to be used on applications with limited blade clearance. This product can also be applied to steel lay-in style ceiling diffusers up to 24 in. x 24 in. (610mm x 610mm) maximum size when installed with an approved thermal blanket.

Construction

Construction		Standard	Optional
Frame Material		Galvanized steel*	-
Frame Type		Standard	Top, Bottom, or Top/Bottom Extension
Blade Material		Galvanized steel*	-
Closure Device		Fusible link	Volume controller
Fusible Link		165°F (74°C)	212°F (100°C)
Blade Insulation	Under 115.46 sq. in. (74,490 sq. mm)	Not required	-
	Over 115.46 sq. in. (74,490 sq. mm)	Non-asbestos UL classified	-

* in gauges required by UL listing R13446



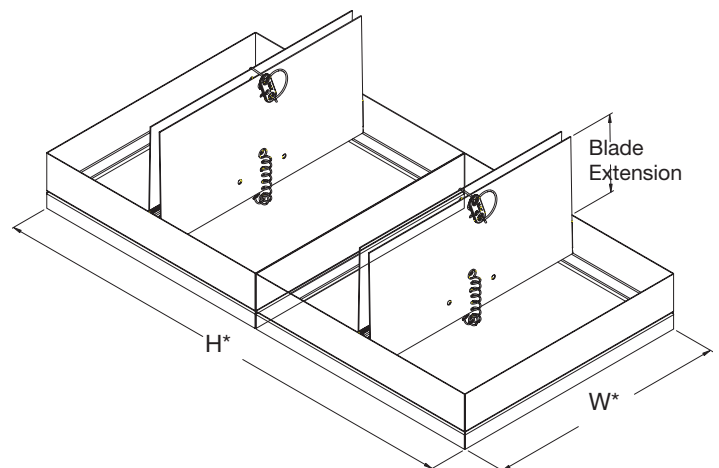
See complete marking on product.
 UL 555C Classification
 R13446

Model CRD-1LP meets the requirements for ceiling radiation dampers established by:

- National Fire Protection Association NFPA Standards 90A, and 101
- International Building Codes (IBC)
- CSFM California State Fire Marshal Fire Listing (#3225-0981:0101)

Size Limitations

W & H	Minimum Size	Maximum Size
Inches	4 x 12	24 x 24
mm	101 x 305	610 x 610



*W & H dimension furnished approximately 1/4 in. (6mm) undersize.

Document Links



[INSTALLATION](#)



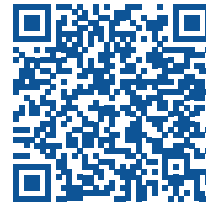
[CATALOG](#)



[SELECTION GUIDE](#)

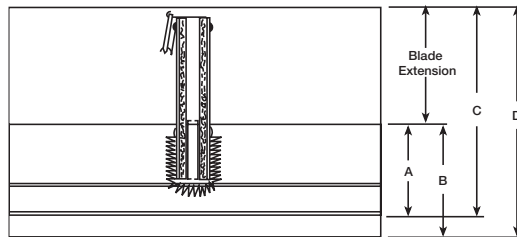


[SPECIFICATIONS](#)



[WARRANTY](#)

Frame Options

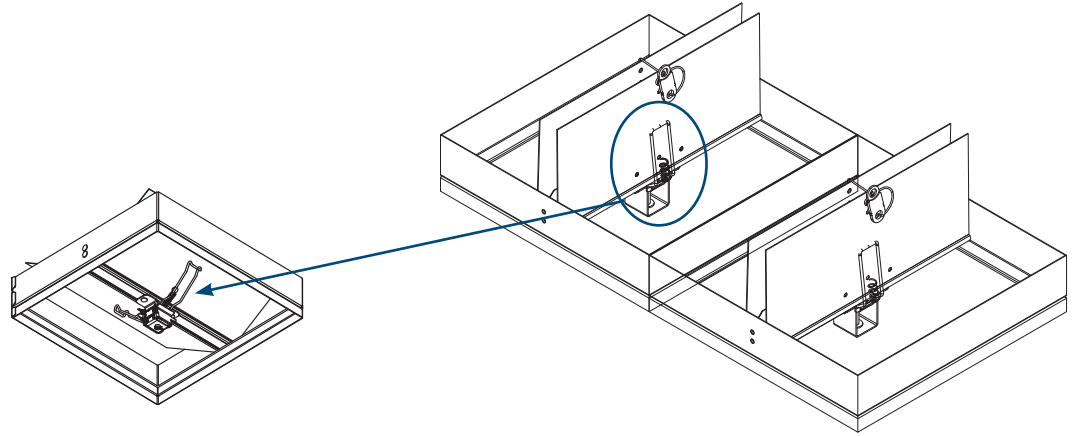


$$\text{Blade Extension} = \text{Nominal Height}/4 - 2.375$$

Frame Dimensions					
Damper Model	Height (in.)	A	B	C	D
CRD-1LP Standard Frame	12 - 24	2 ³ / ₁₆	-	-	-
CRD-1LP B Bottom Extension	12 - 24	-	4 ³ / ₄	-	-
CRD-1LP T Top Extension	12 - 16 ¹ / ₂	-	-	4 ³ / ₄	-
	16 ¹ / ₂ - 20 ¹ / ₄	-	-	5 ³ / ₄	-
	20 ¹ / ₄ - 24	-	-	6 ³ / ₄	-
CRD-1LP BT Bottom and Top Extension	12 - 16 ¹ / ₄	-	-	-	6 ⁷ / ₈
	16 ¹ / ₂ - 20 ¹ / ₄	-	-	-	7 ⁷ / ₈
	20 ¹ / ₄ - 24	-	-	-	8 ⁷ / ₈

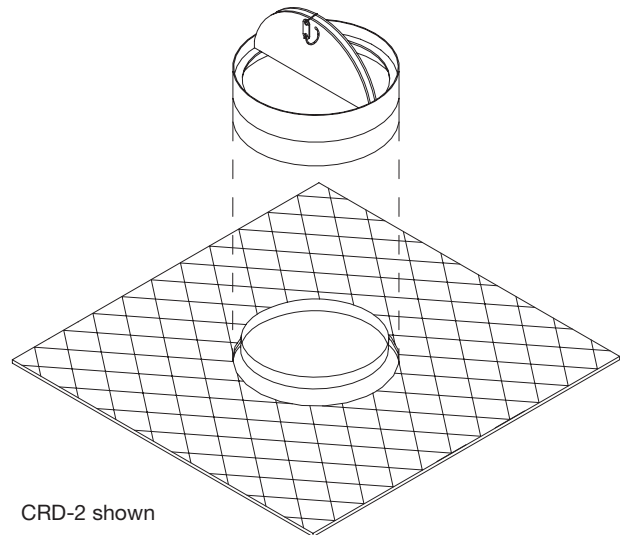
Volume Controller

A volume controller is used to manually set the blades at a given angle to regulate the airflow (24 in. x 24 in. [610mm x 610mm] maximum). Adjusting the cap screw will open and close the blades.



Thermal Blanket

Ceramic fiber or mineral wool thermal blankets are available.



CRD-2 shown