

Application

Model CRD-501 is a round UL 555C classified damper with UL 555S leakage Class I. The CRD-501 has been qualified to 3,000 fpm (15.2 m/s) and 4 in. wg (1 kPa) for operational closure in emergency smoke control situations for use in HVAC applications.

Ratings

Leakage

UL 555S Leakage Class I

Velocity

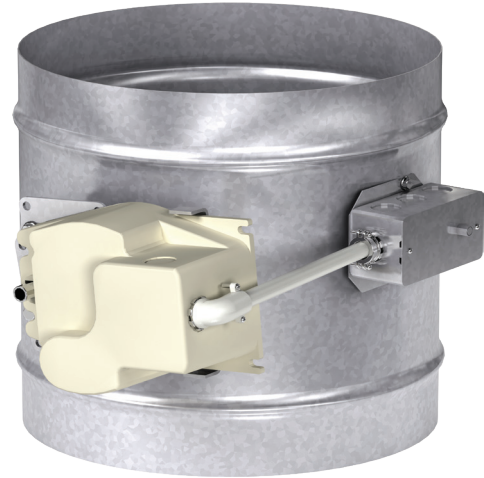
Operational rated up to 3000 fpm (15.2 m/s).

Temperature

Up to 350°F (177°C)

Pressure

Up to 4 in. wg (1 kPa) - differential pressure



Construction

| | Standard | Optional |
|---------------------|------------------------------|-----------------|
| Frame Material | Galvanized steel | - |
| Frame Thickness | 20 ga. (1mm) | - |
| Blade Material | Double skin galvanized steel | - |
| Blade Seal | Silicone | - |
| Blade Thickness | 14 ga. (2mm) equivalent | - |
| Axle Bearings | Bronze | Stainless steel |
| Axle Material | ½ in. (13mm) plated steel | - |
| Closure Device | RRL | - |
| Closure Temperature | 165°F (74°C) | 212°F (100°C) |

Size Limitations

| Diameter | Minimum | Maximum |
|----------|-------------|--------------|
| in. (mm) | 6 in. (152) | 12 in. (305) |



See complete marking on product.

UL 555S Classification R13317

UL 555C Classification R13446

Model CRD-501 meets the requirements for smoke dampers established by:

National Fire Protection Association

NFPA Standards 92 & 105

International Building Codes (IBC)

California State Fire Marshal (CFSM)

Smoke Leakage Listing (3230 - 0981: 0113)

Document Links



[INSTALLATION](#)



[SELECTION GUIDE](#)



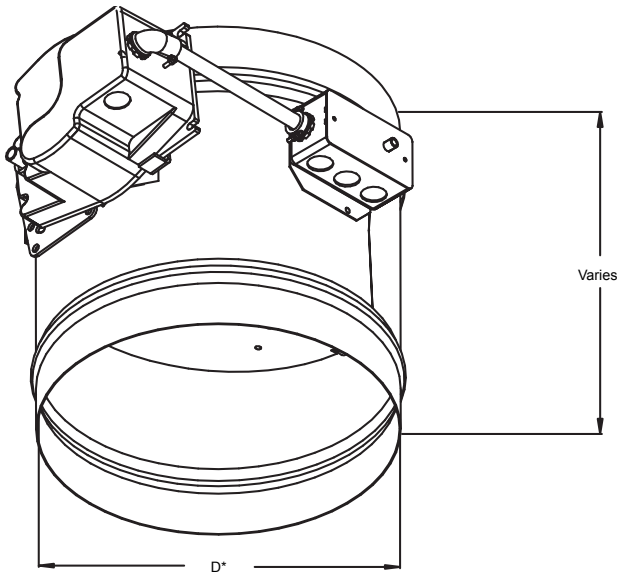
[CATALOG](#)



[SPECIFICATIONS](#)

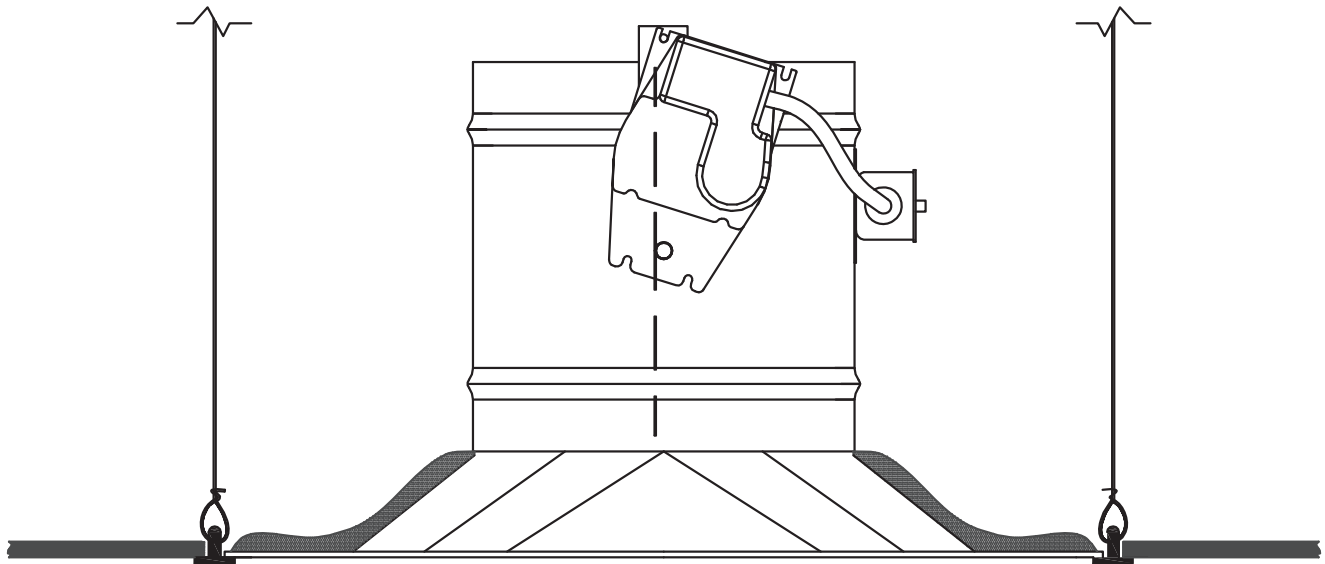


[WARRANTY](#)



| Diameter in. (mm) | Frame/sleeve Length in. (mm) |
|--|------------------------------|
| ≤ 7 (177) | $9\frac{3}{4}$ (247) |
| > 7 and ≤ 8 (>177 and ≤ 203) | $10\frac{1}{4}$ (260) |
| > 8 and ≤ 9 (>203 and ≤ 228) | $10\frac{3}{4}$ (273) |
| > 9 and ≤ 10 (>228 and ≤ 254) | $11\frac{1}{4}$ (286) |
| > 10 and ≤ 11 (> 254 and ≤ 279) | $11\frac{3}{4}$ (298) |
| > 11 and ≤ 12 (> 279 and ≤ 305) | $12\frac{1}{4}$ (311) |

Installation



This is a typical Lay-in Diffuser application. See installation instructions at www.greenheck.com for more application information.