

Application

Model DFD-150X series is approved for use in walls, floors, and partitions with fire resistance ratings less than 3 hours. This model carries a 1½ hour UL fire damper label. UL 555 classifies dynamic rated fire damper for use in HVAC systems that are operational in the event of fire.

Ratings

UL 555 Fire Resistance

Fire Rating: 1½ hours

Velocity

4000 fpm (20.3 m/s) vertical mount only, up to 24 in. x 24 in. (610mm x 610mm);
2000 fpm (10.2 m/s) vertical or horizontal mount all sizes

Pressure

Maximum: 4 in. wg (1 kPa)



* W&H dimension furnished approximately ¼ in. (6mm) undersize.

Construction

Construction	Standard	Optional
Frame Material	Galvanized steel*	-
Blade Material	Galvanized steel*	-
Closure Spring	Stainless steel	-
Fusible Link	165°F (74°C)	212°F or 286°F (100°C or 141°C)
Mounting	Vertical	Horizontal

* in gauges required by UL listing R13317

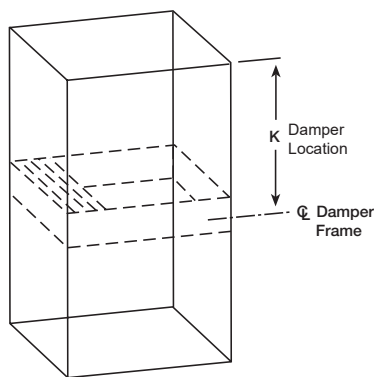


See complete marking on product.

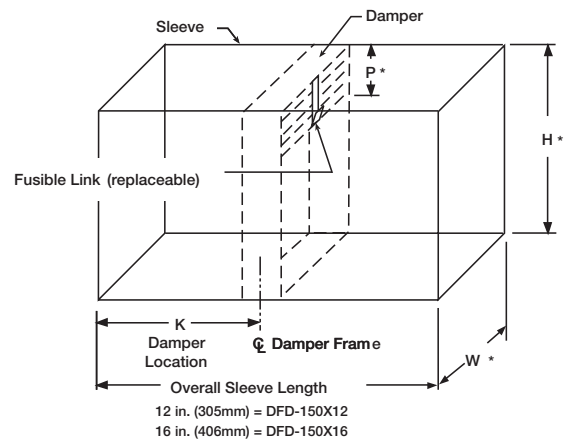
UL 555 Classification R13317

Model DFD-150X series meets the requirements for fire dampers established by:

- National Fire Protection Association NFPA Standards, 80, 90A, and 101
- International Building Codes (IBC)
- CSFM California State Fire Marshal Fire Listing (#3225-0981:0102)



HORIZONTAL MOUNT



VERTICAL MOUNT

Options and Accessories

- [Breakaway connections](#)
- Clean wrap
- [Closed indicator switch](#)
- Flanges
- [Grille tabs](#)
- [Retaining angles](#)
- Transitions: B, C, CO, CR, R

Document Links



[INSTALLATION](#)



[CATALOG](#)



[SELECTION GUIDE](#)



[SPECIFICATIONS](#)



[WARRANTY](#)

Type A & B

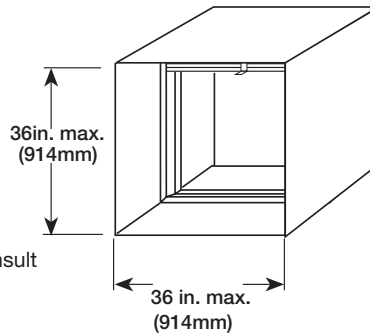
Size Limitations

Inches (mm)	Type A		Type B	
	Minimum	Maximum*	Minimum	Maximum*
Single Section Vertical	8 x 8 (203 x 203)	36 x 36 (914 x 914)	8 x 6 (203 x 152)	36 x 31 (914 x 787)
Single Section Horizontal	8 x 8 (203 x 203)	30 x 30 (762 x 762)	8 x 6 (203 x 152)	30 x 26 (762 x 660)

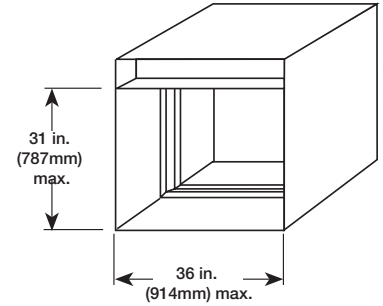
Installation of sizes larger than the maximums shown requires approval of the authority having jurisdiction.

* Sizes are based on 165°F closure temperature and 2000 fpm. Consult factory for maximum size for different temperatures and velocities.

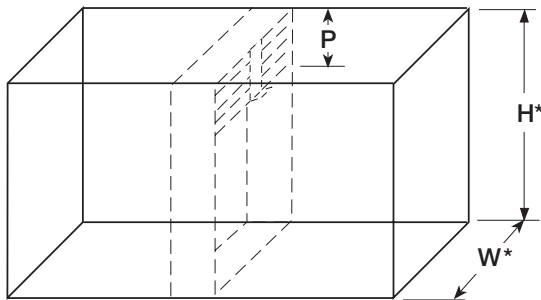
Type A Maximum Single Section Dimensions



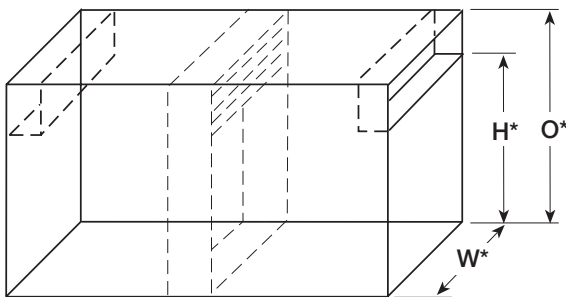
Type B Maximum Single Section Dimensions



Type A



Type B Overall Damper Dimensions



Horizontal Mount

H*	O*	H*	O*
3 (76)	5 (127)	19 (483)	22 (559)
4 (102)	6 (152)	20 (508)	23 (584)
5 (127)	7 (178)	21 (533)	24 (610)
6 (152)	8 (203)	22 (559)	26 (660)
7 (178)	9 (229)	23 (584)	27 (686)
8 (203)	10 (254)	24 (610)	28 (711)
9 (229)	11 (279)	25 (635)	29 (737)
10 (254)	12 (305)	26 (660)	30 (762)
11 (279)	13 (330)	27 (686)	31 (787)
12 (305)	14 (356)	28 (711)	31 (787)
13 (330)	15 (381)	29 (737)	32 (813)
14 (356)	16 (406)	30 (762)	33 (838)
15 (381)	18 (457)	31 (787)	34 (864)
16 (406)	19 (483)	32 (813)	35 (889)
17 (432)	20 (508)	33 (838)	36 (914)
18 (457)	21 (533)	-	-

Vertical Mount

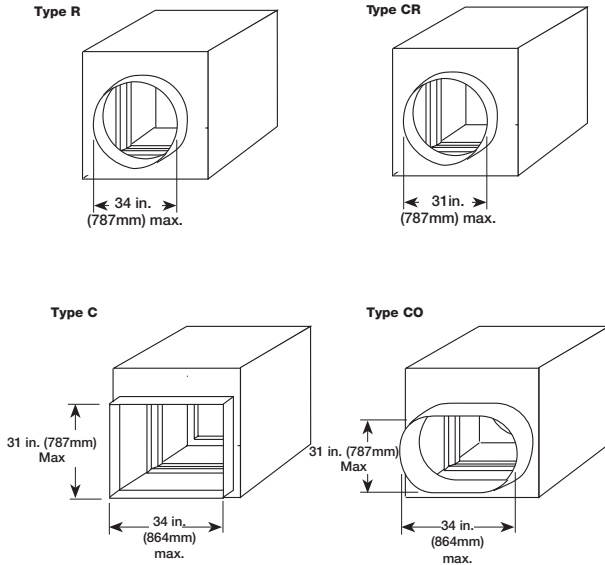
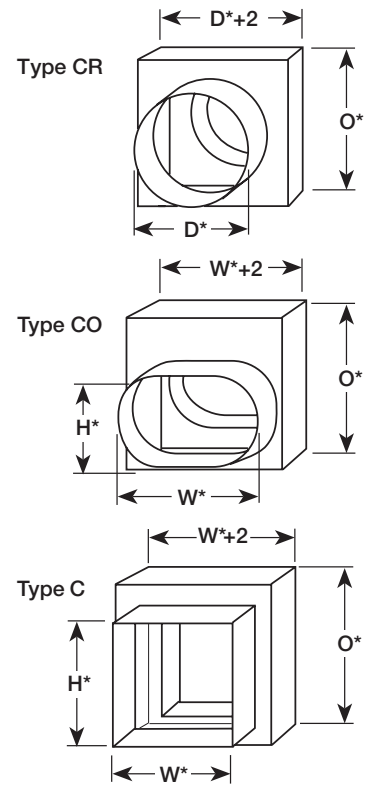
H*	O*	H*	O*
3 (76)	5 (127)	18 (457)	21 (533)
4 (102)	6 (152)	19 (483)	22 (559)
5 (127)	7 (178)	20 (508)	23 (584)
6 (152)	8 (203)	21 (533)	24 (610)
7 (178)	9 (229)	22 (559)	26 (660)
8 (203)	10 (254)	23 (584)	27 (686)
9 (229)	11 (279)	24 (610)	28 (711))
10 (254)	12 (305)	25 (635)	29 (737)
11 (279)	13 (330)	26 (660)	30 (762)
12 (305)	14 (356)	27 (686)	31 (787)
13 (330)	15 (381)	28 (711)	32 (813)
14 (356)	16 (406)	29 (737)	33 (838)
15 (381)	18 (457)	30 (762)	34 (864)
16 (406)	19 (483)	31 (787)	36 (914)
17 (432)	20 (508)		

Types C, CO, & CR

Inches (mm)	Type CR		Type CO & C		Type R ⁺	
	Minimum	Maximum*	Minimum	Maximum*	Minimum	Maximum*
Single Section Vertical	6 (152)	30 (762)	6 x 5 (152 x 127)	34 x 30 (864 x 762)	6 (152)	34 (864)
Single Section Horizontal	6 (152)	25 (635)	6 x 5 (152 x 127)	28 x 25 (711 x 635)	6 (152)	28 (711)

⁺ With 2 in. (50mm) offset. Sizes adjust with an 1 in. (25mm) offset.

* Sizes are based on 165°F closure temperature and 2000 fpm. Consult factory for maximum size for different temperatures and velocities.



C, CO, CR transitions are positioned 1 in. (25mm) from bottom of sleeve.

Type C, CO & CR Overall Damper Dimensions

Horizontal Mount

H* or D*	O*	H* or D*	O*
5 (127)	8 (203)	19 (483)	23 (584)
6 (152)	9 (229)	20 (508)	24 (610)
7 (178)	10 (254)	21 (533)	26 (660)
8 (203)	11 (279)	22 (559)	27 (686)
9 (229)	12 (305)	23 (584)	28 (711)
10 (254)	13 (330)	24 (610)	29 (737)
11 (279)	14 (356)	25 (635)	30 (762)
12 (305)	15 (381)	26 (660)	31 (787)
13 (330)	16 (406)	27 (686)	31 (787)
14 (356)	18 (457)	28 (711)	32 (813)
15 (381)	19 (483)	29 (737)	33 (838)
16 (406)	20 (508)	30 (762)	34 (864)
17 (432)	21 (533)	31 (787)	35 (889)
18 (457)	22 (559)	32 (813)	36 (914)

Vertical Mount

H* or D*	O*	H* or D*	O*
5 (127)	8 (203)	18 (457)	22 (559)
6 (152)	9 (229)	19 (483)	23 (584)
7 (178)	10 (254)	20 (508)	24 (610)
8 (203)	11 (279)	21 (533)	26 (660)
9 (229)	12 (305)	22 (559)	27 (686)
10 (254)	13 (330)	23 (584)	28 (711)
11 (279)	14 (356)	24 (610)	29 (737)
12 (305)	15 (381)	25 (635)	30 (762)
13 (330)	16 (406)	26 (660)	31 (787)
14 (356)	18 (457)	27 (686)	32 (813)
15 (381)	19 (483)	28 (711)	33 (838)
16 (406)	20 (508)	29 (737)	34 (864)
17 (432)	21 (533)	30 (762)	36 (914)

* Dimension are in inches (mm). These dimensions are furnished approximately 1/4 in. (6mm) undersize.

