

Application

Model DFD-150X series is approved for use in walls, floors, and partitions with fire resistance ratings less than 3 hours. This model carries a 1½ hour UL 555 fire damper label and is dynamic rated for use in HVAC systems that are operational in the event of fire.

Ratings

UL 555 Fire Resistance

Fire Rating: 1½ hours

Velocity

4000 fpm (20.3 m/s) vertical mount only, up to 24 in. x 24 in. (610mm x 610mm);
2000 fpm (10.2 m/s) vertical or horizontal mount all sizes

Pressure

Maximum: 4 in. wg (1 kPa)



* W&H dimension furnished approximately ¼ in. (6mm) undersize.

Construction

Construction	Standard	Optional
Frame Material	Galvanized steel*	-
Blade Material	Galvanized steel*	-
Closure Spring	Stainless steel	-
Fusible Link	165°F (74°C)	212°F or 286°F (100°C or 141°C)
Mounting	Vertical	Horizontal

* in gauges required by UL listing R13317



See complete marking on product.
UL 555 Classification R13317

Model DFD-150x series meets the requirements for fire dampers established by:

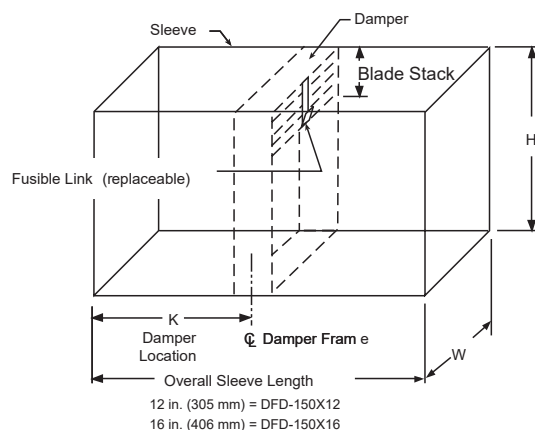
National Fire Protection Association
(NFPA Standards 80, 90A & 101)

Underwriters Laboratories Standard 555
(Listing #R13317)

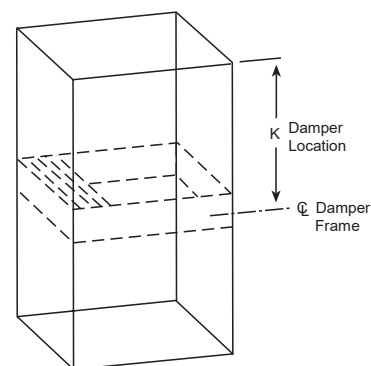
IBC International Building Codes

California State Fire Marshall

(Listing #3225-981:102)



VERTICAL MOUNT



HORIZONTAL MOUNT

Note: Horizontal dampers must be installed with the “K” dimension on the top side as shown (per UL test: see label on damper). Horizontal dampers must have the access door installed on the top side to facilitate re-opening of the blades should the link melt.

Options and Accessories

- [Breakaway connections](#)
- Clean wrap
- [Closed indicator switch](#)
- Flanges
- [Grille tabs](#)
- [Retaining angles](#)
- Transitions: B, C, CO, CR, R

Document Links



[INSTALLATION](#)



[CATALOG](#)



[SELECTION GUIDE](#)



[SPECIFICATIONS](#)



[WARRANTY](#)

Type A & B

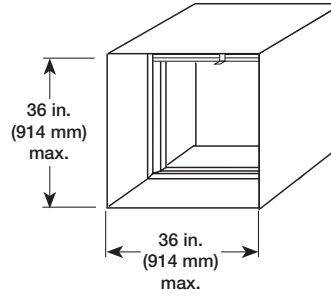
Dampers are supplied in single sections only. Installation of sizes larger than the maximums shown requires approval of the authority having jurisdiction.

Size Limitations

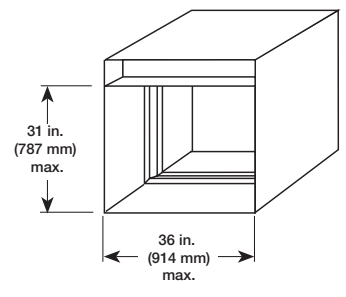
Inches (mm)	Type A		Type B	
	Minimum	Maximum*	Minimum	Maximum*
Single Section Vertical	8 x 8 (203 x 203)	36 x 36 (914 x 914)	8 x 6 (203 x 152)	36 x 31 (914 x 787)
Single Section Horizontal	8 x 8 (203 x 203)	30 x 30 (762 x 762)	8 x 6 (203 x 152)	30 x 26 (762 x 660)

* Sizes are based on 165°F closure temperature and 2000 fpm. Consult factory for maximum size for different temperatures and velocities.

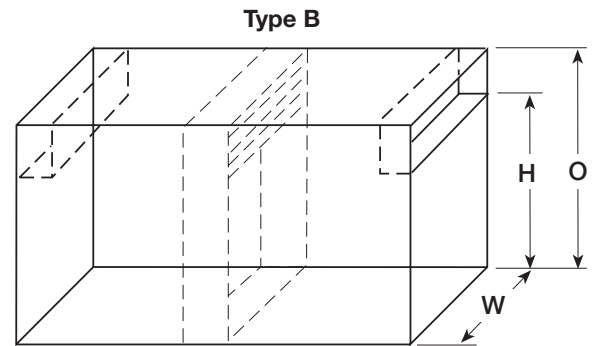
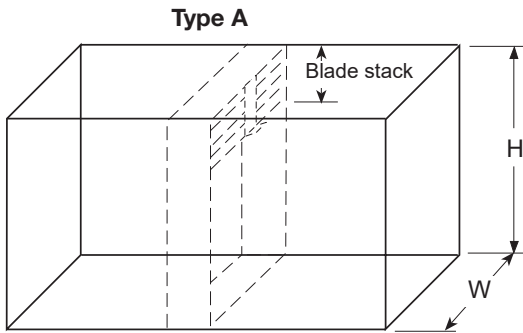
Type A Maximum Single Section Dimensions



Type B Maximum Single Section Dimensions



Overall Damper Dimension



Horizontal Mount

H*	O*	H*	O*
3 (76)	5 (127)	19 (483)	22 (559)
4 (102)	6 (152)	20 (508)	23 (584)
5 (127)	7 (178)	21 (533)	24 (610)
6 (152)	8 (203)	22 (559)	26 (660)
7 (178)	9 (229)	23 (584)	27 (686)
8 (203)	10 (254)	24 (610)	28 (711)
9 (229)	11 (279)	25 (635)	29 (737)
10 (254)	12 (305)	26 (660)	30 (762)
11 (279)	13 (330)	27 (686)	31 (787)
12 (305)	14 (356)	28 (711)	31 (787)
13 (330)	15 (381)	29 (737)	32 (813)
14 (356)	16 (406)	30 (762)	33 (838)
15 (381)	18 (457)	31 (787)	34 (864)
16 (406)	19 (483)	32 (813)	35 (889)
17 (432)	20 (508)	33 (838)	36 (914)
18 (457)	21 (533)	-	-

Vertical Mount

H*	O*	H*	O*
3 (76)	5 (127)	18 (457)	21 (533)
4 (102)	6 (152)	19 (483)	22 (559)
5 (127)	7 (178)	20 (508)	23 (584)
6 (152)	8 (203)	21 (533)	24 (610)
7 (178)	9 (229)	22 (559)	26 (660)
8 (203)	10 (254)	23 (584)	27 (686)
9 (229)	11 (279)	24 (610)	28 (711)
10 (254)	12 (305)	25 (635)	29 (737)
11 (279)	13 (330)	26 (660)	30 (762)
12 (305)	14 (356)	27 (686)	31 (787)
13 (330)	15 (381)	28 (711)	32 (813)
14 (356)	16 (406)	29 (737)	33 (838)
15 (381)	18 (457)	30 (762)	34 (864)
16 (406)	19 (483)	31 (787)	36 (914)
17 (432)	20 (508)	-	-

* Dimensions are in inches (mm). These dimensions are furnished approximately 1/4 in. (6mm) undersize.

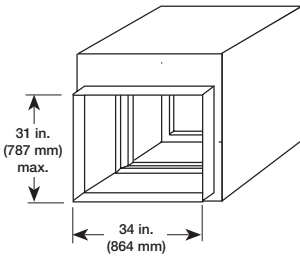
Types C, CO, & CR

Dampers are supplied in single sections only.

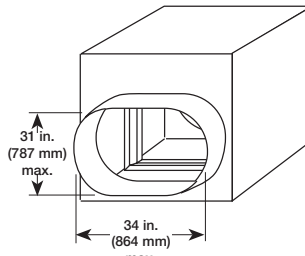
Inches (mm)	Type CR		Type CO & C	
	Minimum	Maximum*	Minimum	Maximum*
Single Section Vertical	6 (152)	30 (762)	6 x 5 (152 x 127)	34 x 31 (864 x 787)
Single Section Horizontal	6 (152)	25 (635)	6 x 5 (152 x 127)	28 x 25 (711 x 635)

* Sizes are based on 165°F closure temperature and 2000 fpm. Consult factory for maximum size for different temperatures and velocities.

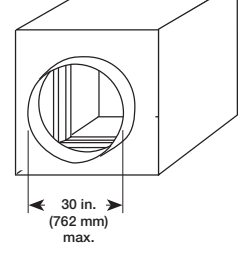
Type C



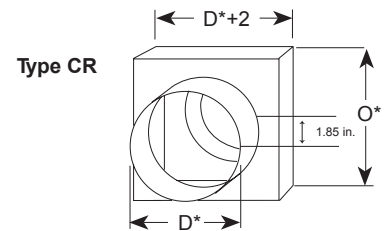
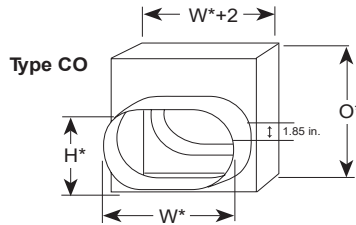
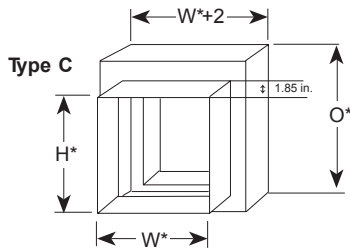
Type CO



Type CR



Overall Damper Dimensions



C, CO, CR transitions are positioned 1 in. (25mm) from bottom of sleeve.

Horizontal Mount

H* or D*	O*	H* or D*	O*
5 (127)	8 (203)	19 (483)	23 (584)
6 (152)	9 (229)	20 (508)	24 (610)
7 (178)	10 (254)	21 (533)	26 (660)
8 (203)	11 (279)	22 (559)	27 (686)
9 (229)	12 (305)	23 (584)	28 (711)
10 (254)	13 (330)	24 (610)	29 (737)
11 (279)	14 (356)	25 (635)	30 (762)
12 (305)	15 (381)	26 (660)	31 (787)
13 (330)	16 (406)	27 (686)	32 (813)
14 (356)	18 (457)	28 (711)	33 (838)
15 (381)	19 (483)	29 (737)	34 (868)
16 (406)	20 (508)	30 (762)	36 (914)
17 (432)	21 (533)	31 (787)	37 (940)
18 (457)	22 (559)	32 (813)	37 (940)

Vertical Mount

H* or D*	O*	H* or D*	O*
5 (127)	8 (203)	18 (457)	22 (559)
6 (152)	9 (229)	19 (483)	23 (584)
7 (178)	10 (254)	20 (508)	24 (610)
8 (203)	11 (279)	21 (533)	26 (660)
9 (229)	12 (305)	22 (559)	27 (686)
10 (254)	13 (330)	23 (584)	28 (711)
11 (279)	14 (356)	24 (610)	29 (737)
12 (305)	15 (381)	25 (635)	30 (762)
13 (330)	16 (406)	26 (660)	31 (787)
14 (356)	18 (457)	27 (686)	31 (787)
15 (381)	19 (483)	28 (711)	32 (813)
16 (406)	20 (508)	29 (737)	33 (838)
17 (432)	21 (533)	30 (762)	34 (864)

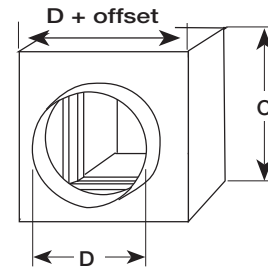
* Dimensions are in inches (mm). These dimensions are furnished approximately ¼ in. (6mm) undersize, except round and oval dimensions (D, H, W) are approximately ⅓ in. (3mm) undersize.

Type R

Inches (mm)	Type R*		
	Minimum	Maximum with 1 in. offset	Maximum with 2 in. offset
Single Section Vertical	6 (152)	35 (889)	34 (864)
Single Section Horizontal	6 (152)	29 (737)	28 (711)

* Sizes are based on 165°F closure temperature and 2000 fpm. Consult factory for maximum size for different temperatures and velocities.

Overall Damper Dimensions



Type R transition is centered in damper sleeve.

To calculate O Dimension:

Diameter + offset (1 or 2 in.) = O Dimension