

Application

Model DFDR-510 is a dynamic rated round fire damper for use in HVAC systems that are operational in the event of a fire. This fire damper is rated for use in walls, floors, and partitions with less than 3 hour fire resistance rating and can be mounted vertically or horizontally.

Ratings

UL 555 Fire Resistance

Fire Rating: 1½ hours

Velocity

2000 fpm (10.2 m/s)

Pressure

Maximum: 4 in. wg (1 kPa)

Construction

	Standard	Optional
Frame Material	Galvanized steel*	-
Frame Material Thickness	20 ga. (1 mm)	16 ga. (1.5 mm)
Blade Material	Galvanized steel	-
Blade Thickness	20 ga. (1mm)	-
Axle Bearings	Bronze	316SS
Axle Material	½ in. (13mm) plated steel	-
Closure Device	Fusible Link	-
Closure Temperature	165° F (74°C)	212°F (100°C) or 286°F (141°C)



*Dimensions (dia.) are furnished approximately ⅛ in. (3mm) undersize.



See complete marking on product.

UL 555 Classification R13317

Model DFDR-510 meets the requirements for fire dampers established by:

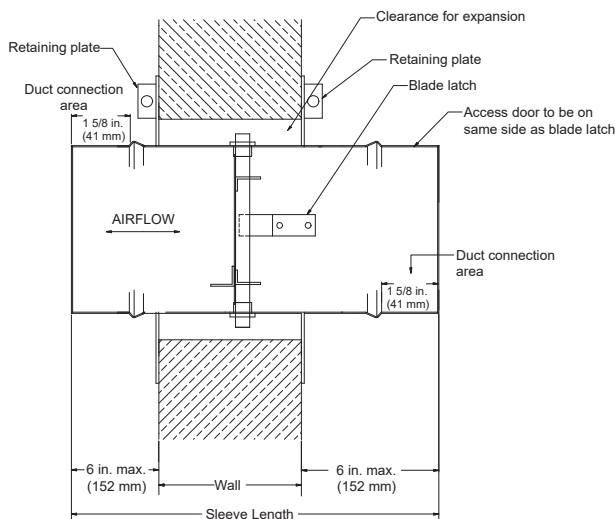
National Fire Protection Association

NFPA Standards 80, 90A, & 101

International Building Code (IBC)

California State Fire Marshall (CFSM)

Fire Damper Listing #3225-0981:0112



Size Limitations

Diameter	Minimum Size	Maximum Size
Inches	4	24
mm	102	610

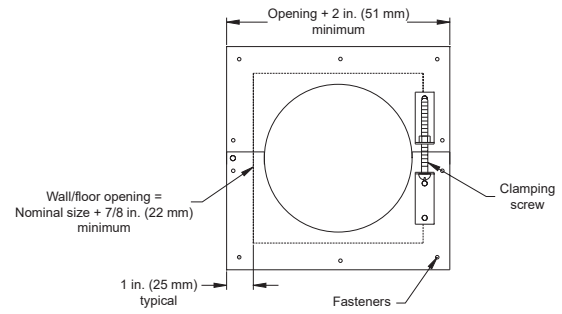
Wall Thickness (mm)	Sleeve Length (mm)
Up to 6½ in. (165)	13 ⅝ in. (346)
Up to 8½ in. (216)	15 ⅝ in. (397)
Up to 10½ in. (267)	17 ⅝ in. (448)
Over 10½ in. (267)	Consult Greenheck

Options

DFDR-510

Dynamic Rated Round Fire Damper

- One retainer plate supplied with damper
- Additional retainer plate available



Document Links



[INSTALLATION](#)



[CATALOG](#)



[SELECTION GUIDE](#)



[SPECIFICATIONS](#)



[WARRANTY](#)