

## Application

Model DFDR-510 is a dynamic rated round fire damper for use in HVAC systems that are operational in the event of a fire. This fire damper is rated for use in walls, floors, and partitions with less than 3 hour fire resistance rating and can be mounted vertically or horizontally.

## Ratings

<b>UL 555 Fire Resistance</b>
Fire Rating: 1½ hours
<b>Velocity</b>
2000 fpm (10.2 m/s)
<b>Pressure</b>
Maximum: 4 in. wg (1 kPa)

## Construction

	Standard	Optional
<b>Frame Material</b>	Galvanized steel*	-
<b>Frame Material Thickness</b>	20 ga. (1 mm)	16 ga. (1.5 mm)
<b>Blade Material</b>	Galvanized steel	-
<b>Blade Thickness</b>	20 ga. (1mm)	-
<b>Axle Bearings</b>	Bronze	316SS
<b>Axle Material</b>	½ in. (13mm) plated steel	-
<b>Closure Device</b>	Fusible Link	-
<b>Closure Temperature</b>	165° F (74°C)	212°F (100°C) or 286°F (141°C)



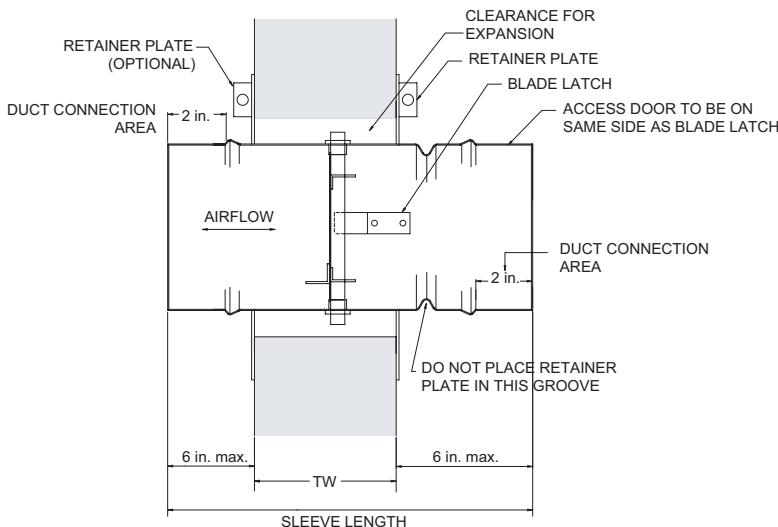
These dimensions are furnished approximately ¼ in. (3mm) undersize.



See complete marking on product.  
UL 555 Classification R13317

Model DFDR-510 meets the requirements for fire dampers established by:

- National Fire Protection Association**  
NFPA Standards 80, 90A, & 101
- International Building Code (IBC)**
- California State Fire Marshall (CFSM)**  
Fire Damper Listing #3225-0981:0112

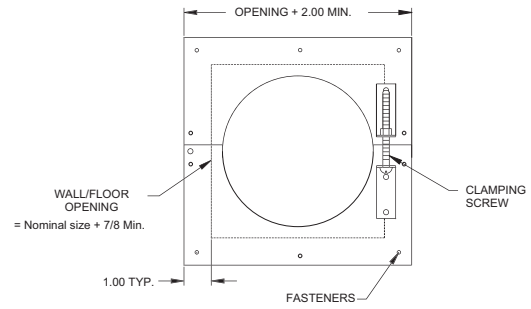


## Size Limitations

Diameter	Minimum Size	Maximum Size
Inches	4	24
mm	102	610

Wall Thickness	Sleeve Length
Up to 6½ in.	13 ⅝ in.
Up to 8½ in.	15 ⅝ in.
Up to 10½ in.	17 ⅝ in.
Over 10½ in.	Consult Greenheck

- One retainer plate supplied with damper
- Additional retainer plate available



## Document Links

[Installation Instructions](#)



[Life Safety Damper Catalog](#)



[Damper Product Selection Guide](#)



[Specifications](#)



[Damper Warranty](#)

