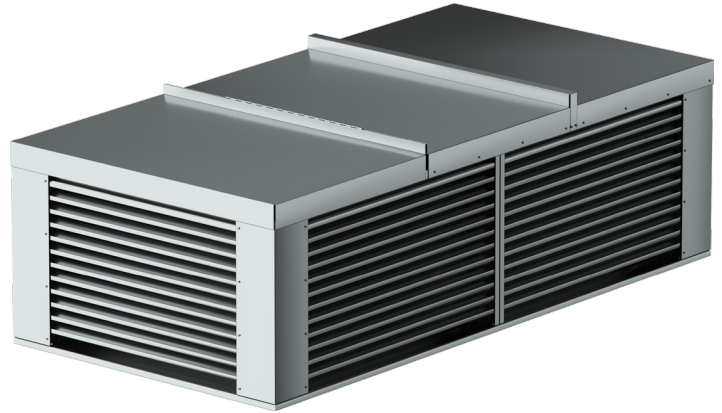


Florida Product Approval No.: FL11350.1  
 Miami-Dade, FL NOA No.: 23-0425.02, EXP. 7/19/2028

## Standard Construction

<b>Frame</b>	Heavy gauge extruded 6063-T5 aluminum, 6 in. (152 mm) x 0.081 in. (2 mm) nominal wall thickness
<b>Blades</b>	Horizontal rain resistant design, heavy gauge extruded 6063-T5 aluminum, 0.081 in. (2 mm) nominal wall thickness, positioned on approximately 2 in. (51 mm) centers
<b>Construction</b>	Welded
<b>Finish</b>	Mill
<b>Minimum Throat Size</b>	12 in. W x 12 in. L (305 mm W x 305 mm L)
<b>Maximum Throat Size</b>	84 in. W x 108 in. L (2134 mm W x 2743 mm L)
<b>Minimum Louver Height</b>	12 in. (305 mm)
<b>Maximum Louver Height</b>	84 in. (2134 mm)
<b>Wind Load</b>	+/- 115 PSF (5.5 kPa)



## Application and Design

EHH-601PD is a gravity intake or exhaust louvered penthouse. Model EHH-601PD incorporates high performance horizontal wind-driven rain style blades for maximum protection against wind-driven rain. Meets the performance requirements established by the Florida Building Code and Miami-Dade County. Tested in accordance with and passes TAS 201 (Large Missile Impact), TAS 202 (Uniform Static Air Pressure) and TAS 203 (Cyclic Wind-Loading). This system should be installed in a location where the enclosed area/room inside the penthouse is designed to drain water penetrating into the area/room, and the area/room will house water resistant/proof equipment, components and/or supplies. Roof curbs specifically designed for model EHH-601PD may be supplied by Greenheck as an option. Qualified for installation onto concrete/masonry, steel stud, structural steel or wood substrate. Model EHH-601PD may also be supplied as an equipment enclosure without hood members.

## Document Links

[Louver Finishes & Colors](#)
[Louver Product Selection Guide](#)
[Louver Products Catalog](#)
[Louver Warranty Statement](#)

## Options and Accessories

- [Bird Screen](#)
- [Blank-off Panels](#)
- Dampers
  - Maximum throat width or length not to exceed 77 in. (1955mm) with optional damper(s)
- [Filter Rack/Filter](#)
- Hood Insulation - only available if mill finish
- [Insect Screen](#)
- Roof Curb - flat or pitched
- [Security Bars](#)
- [Variety of Architectural Finishes](#)

## Product Details

[Miami-Dade County, FL Notice of Acceptance](#)

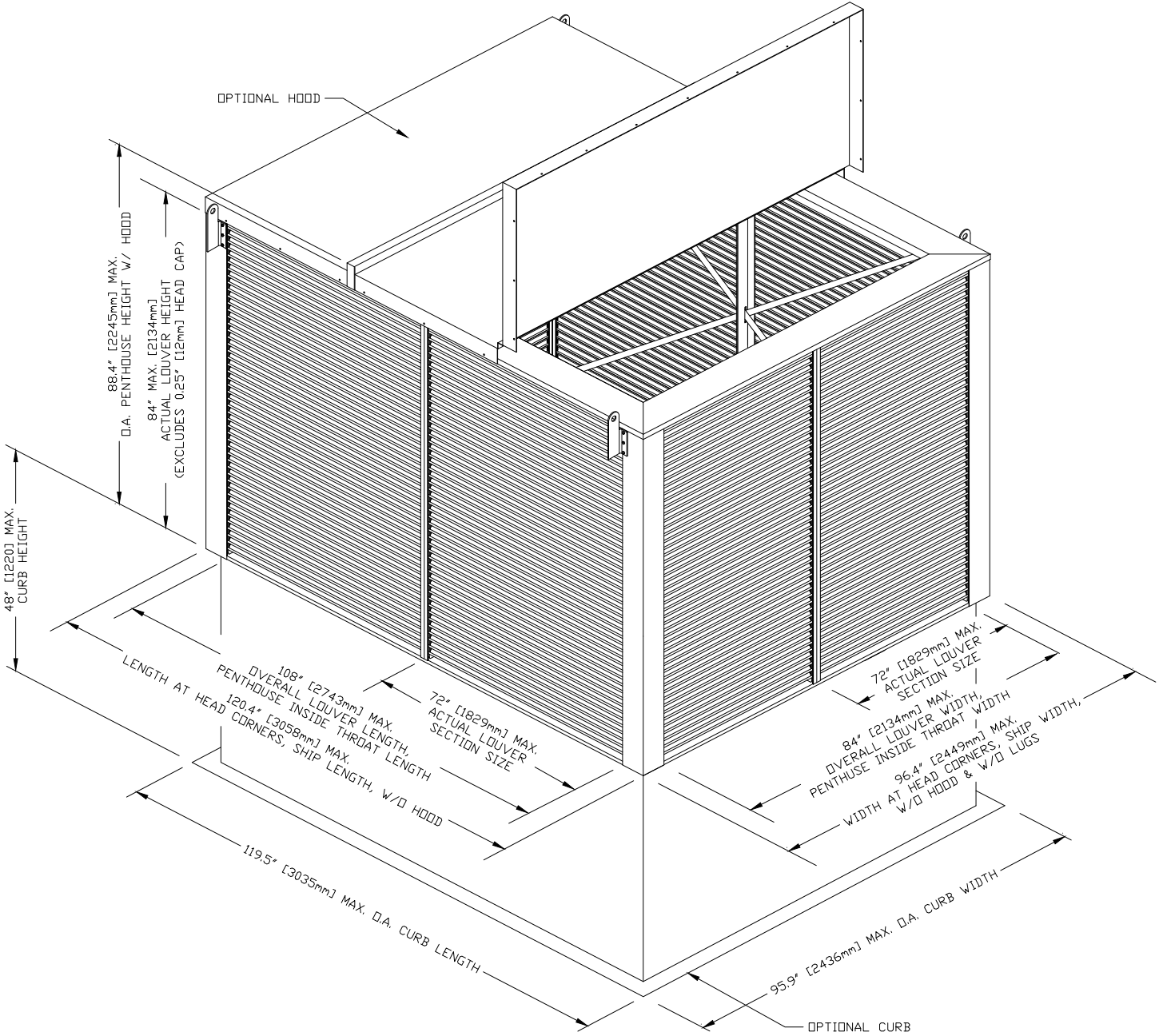
# PERFORMANCE DATA

# EHH-601PD

Miami-Dade and Florida Product Approved  
Extruded Aluminum, Louvered Penthouse

Performance data shown herein is a result of in-house airflow resistance testing procedures in an AMCA Accredited Laboratory. The static pressure drops shown at given throat velocities include the pressure drop through the throat of the product as well as through the louvers themselves. The recommended height shown herein allows for equal to or greater than effective louver free area to that of the penthouse inside throat area. Increasing the product height will have minimal affect on the static pressure drop. The static pressure drops shown do not include the effects of bird screen, insect screen or any other appurtenance.

Throat W x L in. mm	Recommended Louver Height in. mm	Louver Throat Area sq. ft. sq. m	Intake CFM CMS			Exhaust CFM CMS			
			Pressure Drop in. wg kPa			Pressure Drop in. wg kPa			
			0.082	0.185	0.333	0.037	0.086	0.152	0.239
			0.020	0.046	0.083	0.009	0.021	0.038	0.059
			Intake Throat Velocities			Exhaust Throat Velocities			
			400 fpm 0.189 mps	600 fpm 0.283 mps	800 fpm 0.378 mps	400 fpm 0.189 mps	600 fpm 0.283 mps	800 fpm 0.378 mps	1000 fpm 0.472 mps
<b>12 x 12</b> 305 x 305	<b>12</b> 305	<b>0.8</b> 0.07	<b>320</b> 0.15	<b>480</b> 0.23	<b>640</b> 0.30	<b>320</b> 0.15	<b>480</b> 0.23	<b>640</b> 0.30	<b>800</b> 0.38
<b>12 x 24</b> 305 x 610	<b>16</b> 406	<b>1.8</b> 0.17	<b>720</b> 0.34	<b>1,080</b> 0.51	<b>1,440</b> 0.68	<b>720</b> 0.34	<b>1,080</b> 0.51	<b>1,440</b> 0.68	<b>1,800</b> 0.85
<b>24 x 24</b> <b>610 x 610</b>	<b>16</b> <b>406</b>	<b>3.7</b> <b>0.34</b>	<b>1,480</b> <b>0.70</b>	<b>2,220</b> <b>1.05</b>	<b>2,960</b> <b>1.40</b>	<b>1,480</b> <b>0.70</b>	<b>2,220</b> <b>1.05</b>	<b>2,960</b> <b>1.40</b>	<b>3,700</b> <b>1.75</b>
<b>24 x 48</b> 610 x 1219	<b>20</b> 508	<b>7.5</b> 0.70	<b>3,000</b> 1.42	<b>4,500</b> 2.12	<b>6,000</b> 2.83	<b>3,000</b> 1.42	<b>4,500</b> 2.12	<b>6,000</b> 2.83	<b>7,500</b> 3.54
<b>36 x 36</b> 914 x 914	<b>20</b> 508	<b>8.5</b> 0.79	<b>3,400</b> 1.60	<b>5,100</b> 2.41	<b>6,800</b> 3.21	<b>3,400</b> 1.60	<b>5,100</b> 2.41	<b>6,800</b> 3.21	<b>8,500</b> 4.01
<b>36 x 72</b> 914 x 1829	<b>24</b> 610	<b>17.3</b> 1.61	<b>6,920</b> 3.27	<b>10,380</b> 4.90	<b>13,840</b> 6.53	<b>6,920</b> 3.27	<b>10,380</b> 4.90	<b>13,840</b> 6.53	<b>17,300</b> 8.16
<b>48 x 48</b> 1219 x 1219	<b>24</b> 610	<b>15.3</b> 1.42	<b>6,120</b> 2.89	<b>9,180</b> 4.33	<b>12,240</b> 5.78	<b>6,120</b> 2.89	<b>9,180</b> 4.33	<b>12,240</b> 5.78	<b>15,300</b> 7.22
<b>48 x 96</b> 1219 x 2438	<b>32</b> 813	<b>31.0</b> 2.88	<b>12,400</b> 5.85	<b>18,600</b> 8.78	<b>24,800</b> 11.70	<b>12,400</b> 5.85	<b>18,600</b> 8.78	<b>24,800</b> 11.70	<b>31,000</b> 14.63
<b>60 x 60</b> 1524 x 1524	<b>28</b> 711	<b>24.2</b> 2.25	<b>9,680</b> 4.57	<b>14,520</b> 6.85	<b>19,360</b> 9.14	<b>9,680</b> 4.57	<b>14,520</b> 6.85	<b>19,360</b> 9.14	<b>24,200</b> 11.42
<b>62 x 86</b> 1575 x 2184	<b>44</b> 1118	<b>25.8</b> 2.40	<b>10,320</b> 4.87	<b>15,480</b> 7.31	<b>20,640</b> 9.74	<b>10,320</b> 4.87	<b>15,480</b> 7.31	<b>20,640</b> 9.74	<b>25,800</b> 12.18
<b>60 x 108</b> 1524 x 2743	<b>36</b> 914	<b>43.8</b> 4.07	<b>17,520</b> 8.27	<b>26,280</b> 12.40	<b>35,040</b> 16.54	<b>17,520</b> 8.27	<b>26,280</b> 12.40	<b>35,040</b> 16.54	<b>43,800</b> 20.67
<b>72 x 72</b> 1829 x 1829	<b>32</b> 813	<b>35.0</b> 3.25	<b>14,000</b> 6.61	<b>21,000</b> 9.91	<b>28,000</b> 13.21	<b>14,000</b> 6.61	<b>21,000</b> 9.91	<b>28,000</b> 13.21	<b>35,000</b> 16.52
<b>72 x 96</b> 1829 x 2438	<b>40</b> 1016	<b>46.8</b> 4.35	<b>18,720</b> 8.83	<b>28,080</b> 13.25	<b>37,440</b> 17.67	<b>18,720</b> 8.83	<b>28,080</b> 13.25	<b>37,440</b> 17.67	<b>46,800</b> 22.09
<b>84 x 84</b> 2134 x 2134	<b>40</b> 1016	<b>47.8</b> 4.44	<b>19,120</b> 9.02	<b>28,680</b> 13.54	<b>38,240</b> 18.05	<b>19,120</b> 9.02	<b>28,680</b> 13.54	<b>38,240</b> 18.05	<b>47,800</b> 22.56
<b>84 x 96</b> 2134 x 2438	<b>40</b> 1016	<b>54.8</b> 5.09	<b>21,920</b> 10.35	<b>32,880</b> 15.52	<b>43,840</b> 20.69	<b>21,920</b> 10.35	<b>32,880</b> 15.52	<b>43,840</b> 20.69	<b>54,800</b> 25.86
<b>84 x 108</b> 2134 x 2743	<b>44</b> 1118	<b>61.7</b> 5.73	<b>24,680</b> 11.65	<b>37,020</b> 17.47	<b>49,360</b> 23.30	<b>24,680</b> 11.65	<b>37,020</b> 17.47	<b>49,360</b> 23.30	<b>61,700</b> 29.12

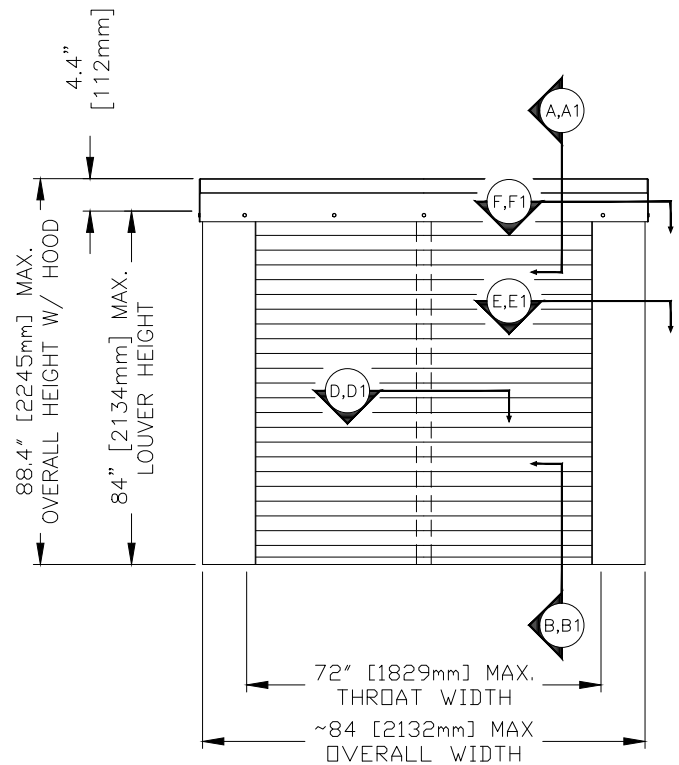
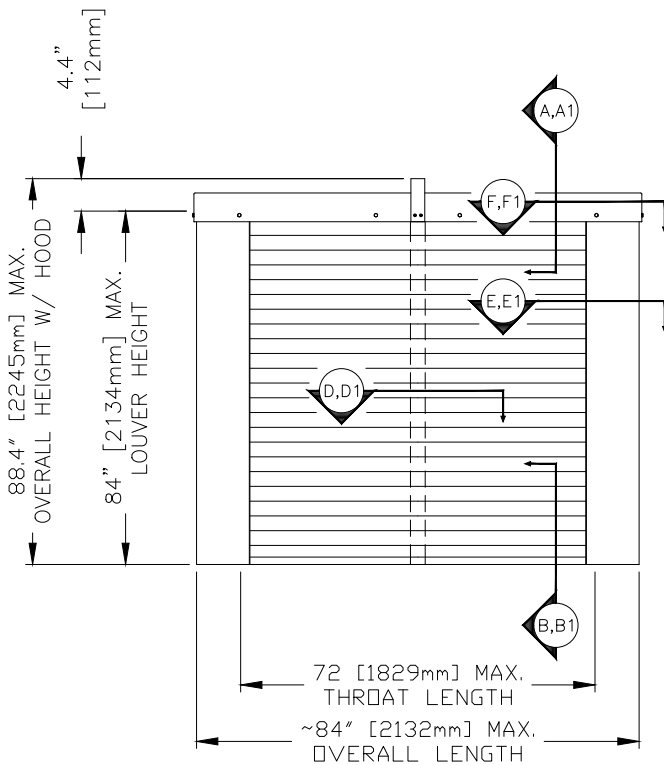
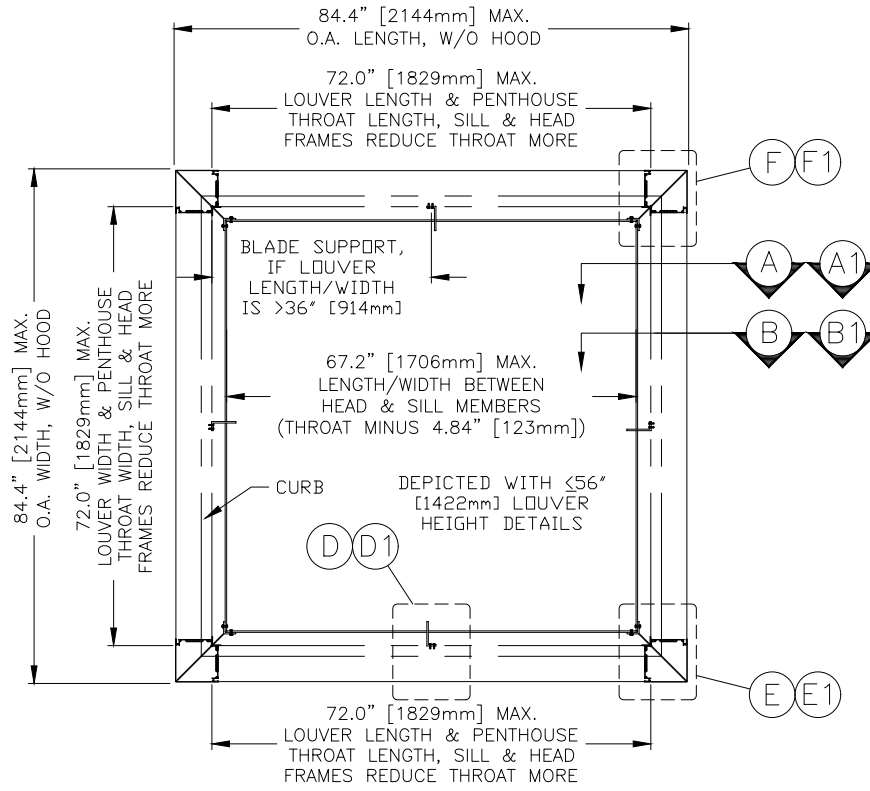


# DETAILS

## SINGLE SECTION-WITHOUT HOOD

**EHH-601PD**

Miami-Dade and Florida Product Approved  
Extruded Aluminum, Louvered Penthouse

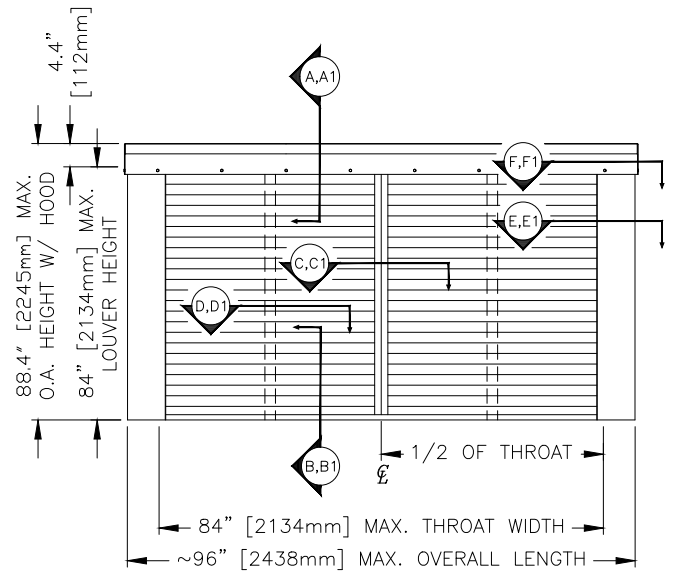
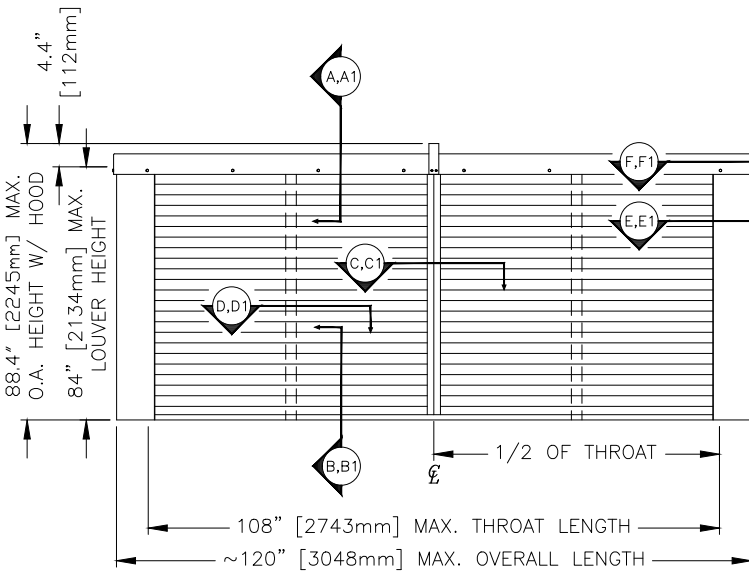
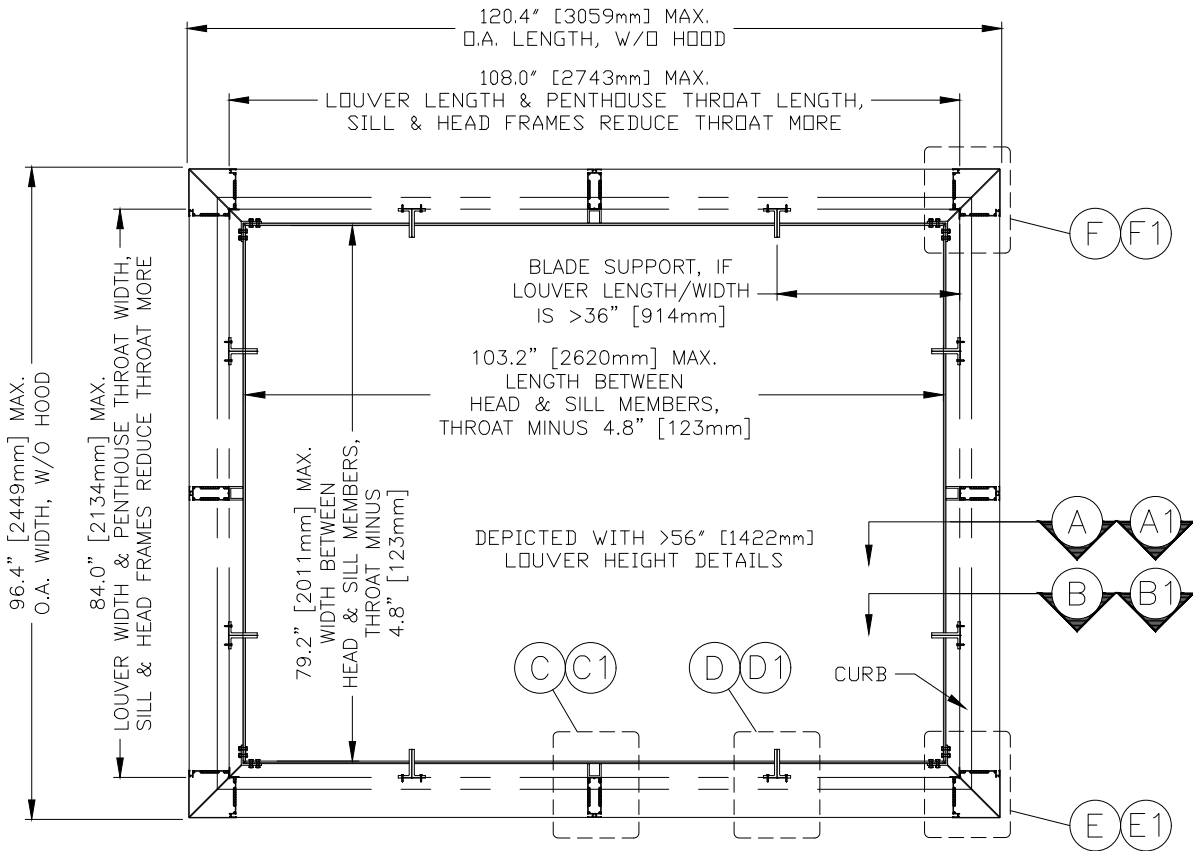


# DETAILS

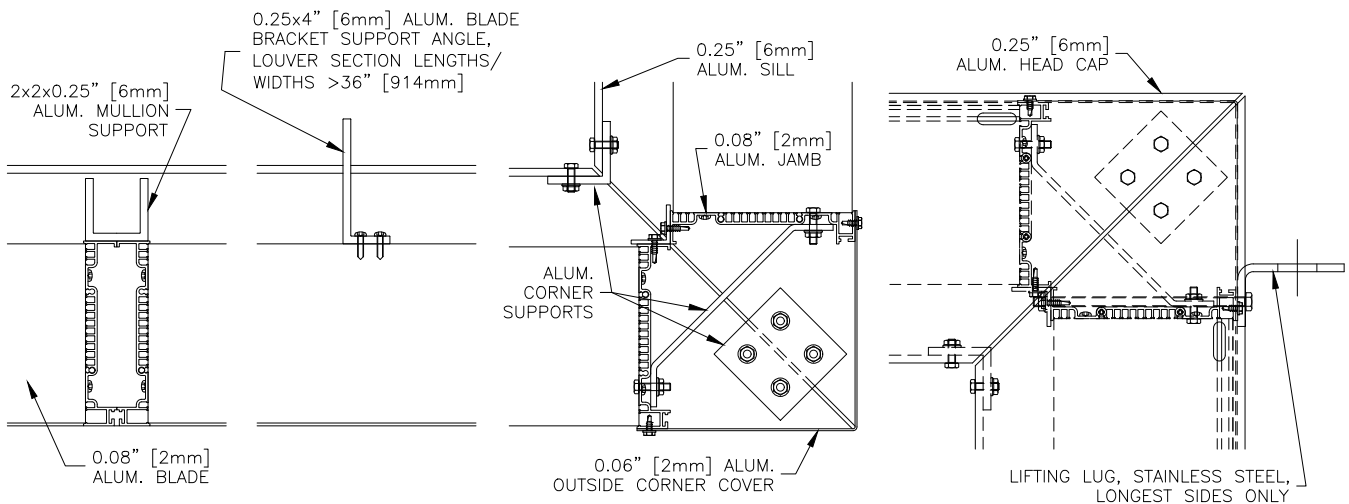
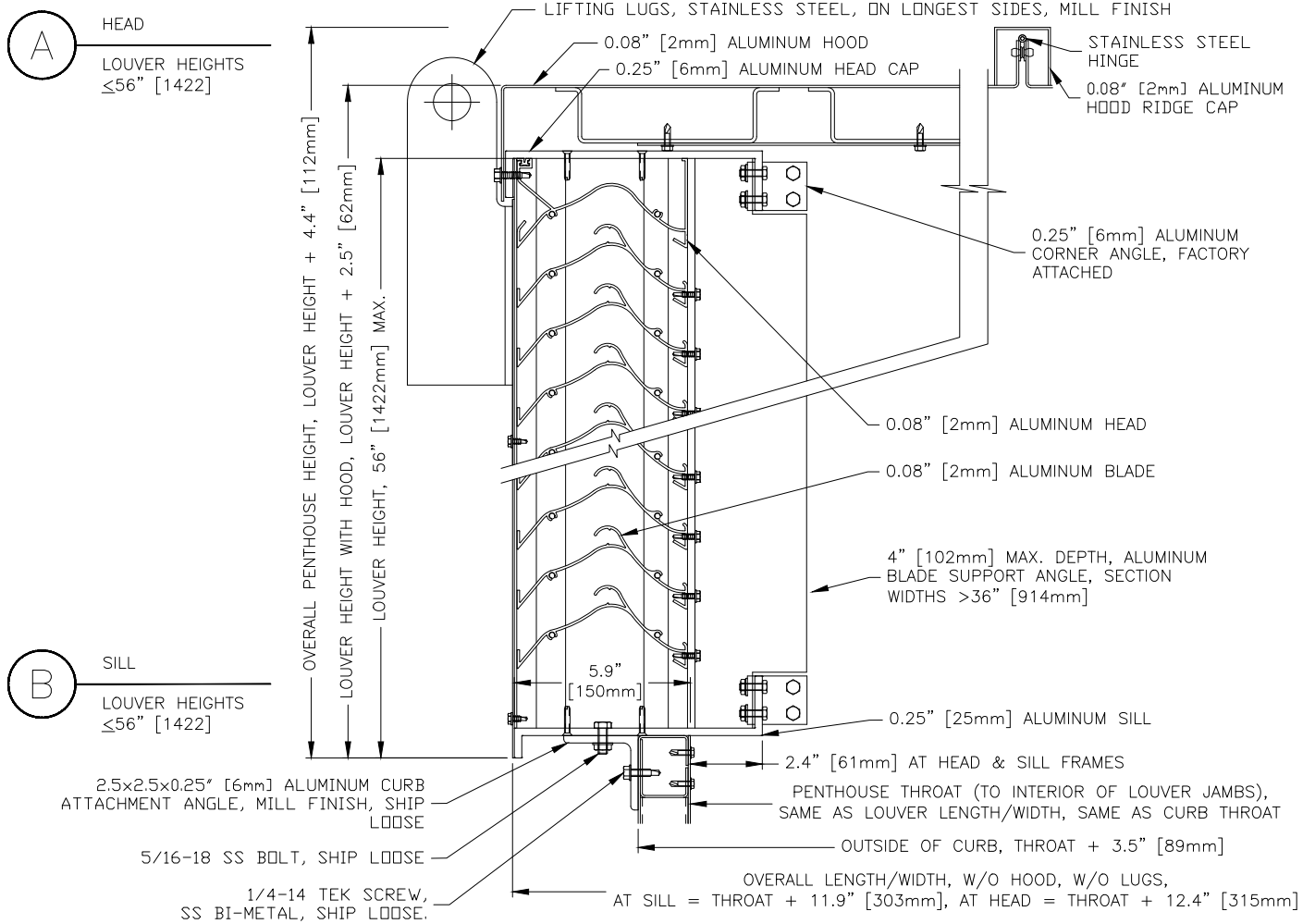
## TWO SECTION-WITHOUT HOOD

**EHH-601PD**

Miami-Dade and Florida Product Approved  
Extruded Aluminum, Louvered Penthouse



**LESS THAN OR EQUAL TO 56 IN. (1142 MM) HEIGHT**



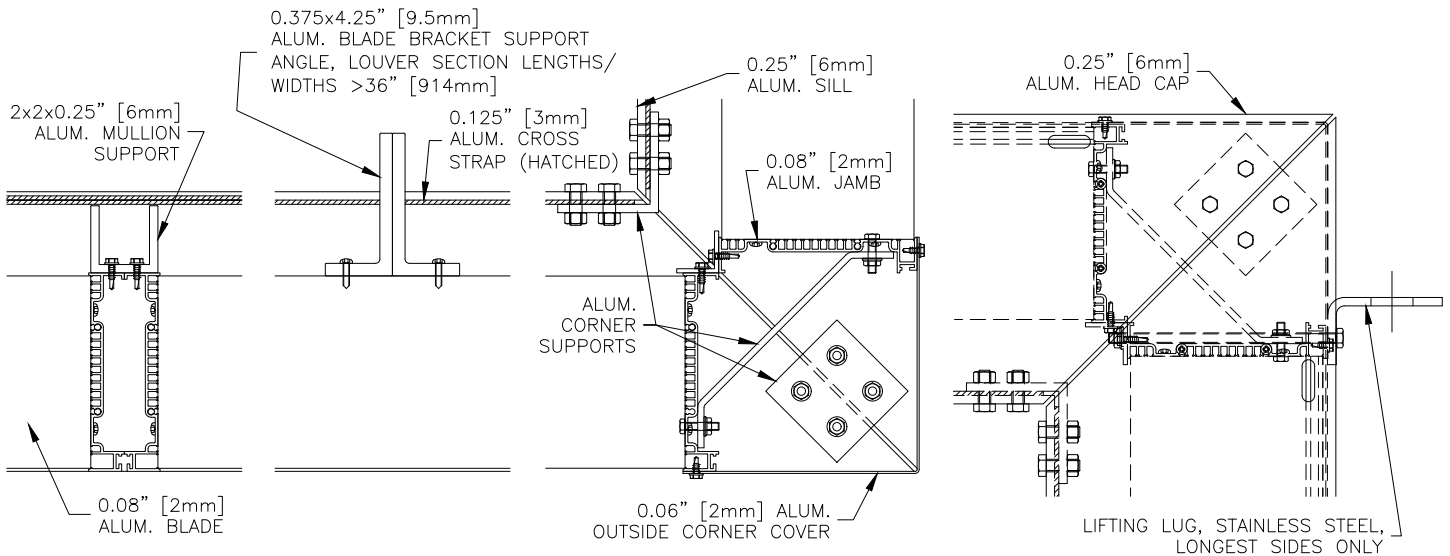
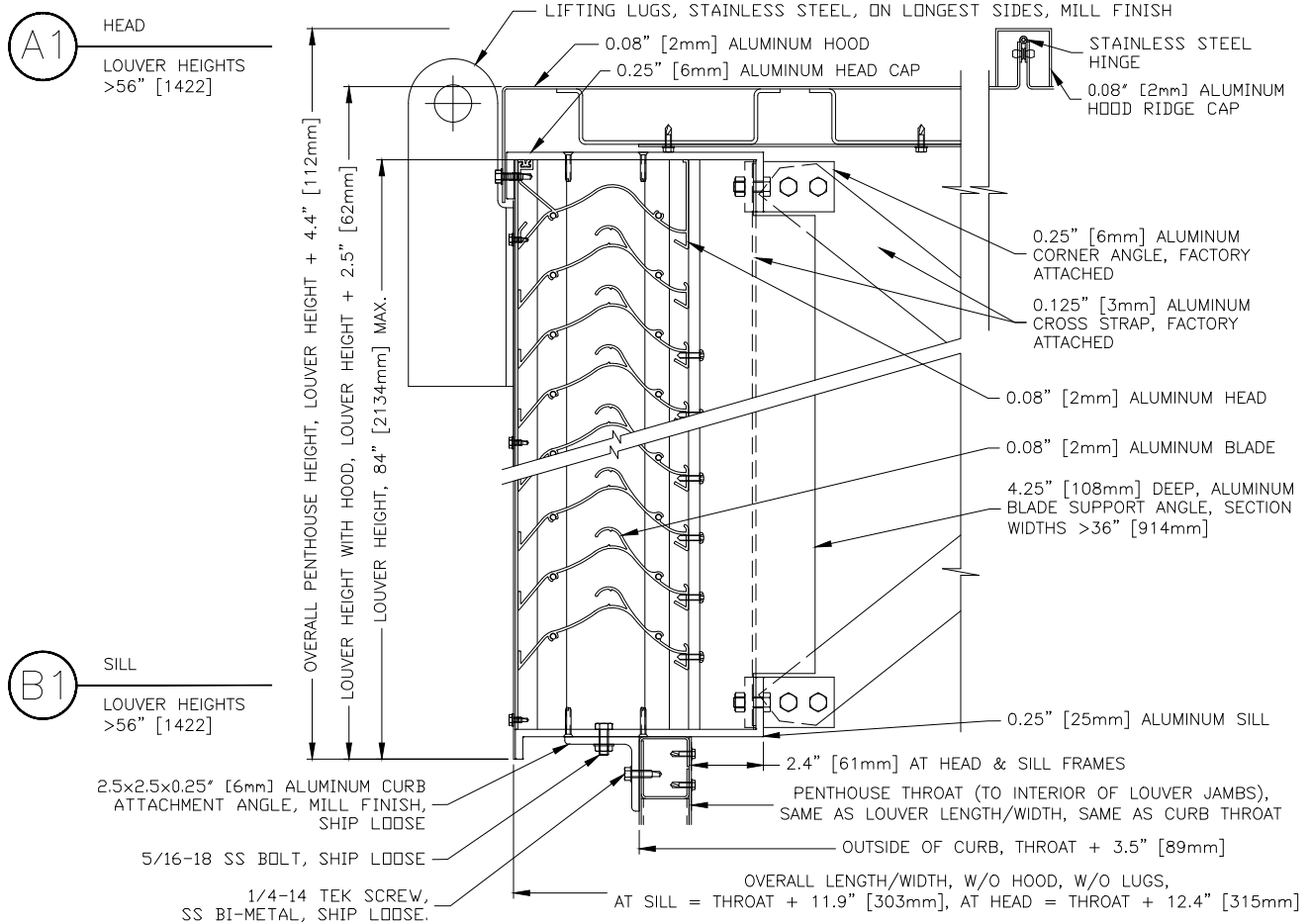
**C** MULLION  
LOUVER HEIGHTS ≤56" [1422mm]

**D** BLADE SUPPORT  
LOUVER HEIGHTS ≤56" [1422mm]

**E** SILL CORNER  
LOUVER HEIGHTS ≤56" [1422mm]

**F** HEAD CORNER  
LOUVER HEIGHTS ≤56" [1422mm]

**GREATER THAN 56 IN. (1142 MM) HEIGHT**



**C1** MULLION  
LOUVER HEIGHTS >56" [1422mm]

**D1** BLADE SUPPORT  
LOUVER HEIGHTS >56" [1422mm]

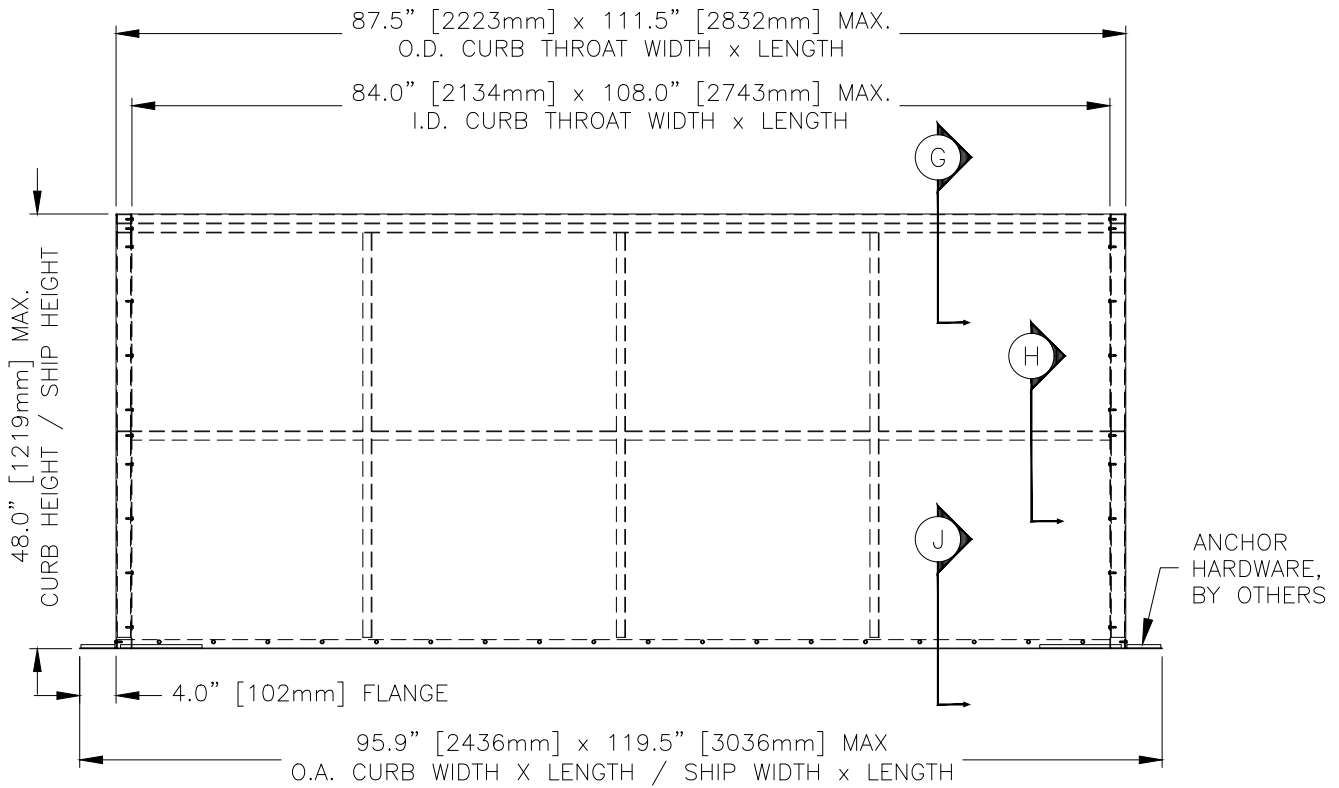
**E1** SILL CORNER  
LOUVER HEIGHTS >56" [1422mm]

**F1** HEAD CORNER  
LOUVER HEIGHTS >56" [1422mm]

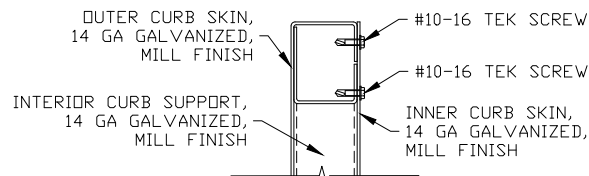
# CURB DETAILS

**EHH-601PD**

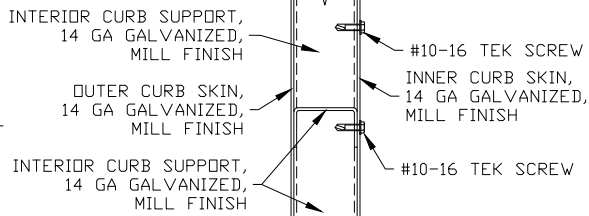
Miami-Dade and Florida Product Approved  
Extruded Aluminum, Louvered Penthouse



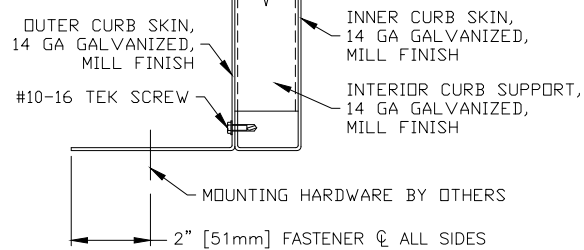
**G** CURB DETAILS TOP



**H** CURB DETAILS MIDDLE



**J** CURB DETAILS BOTTOM

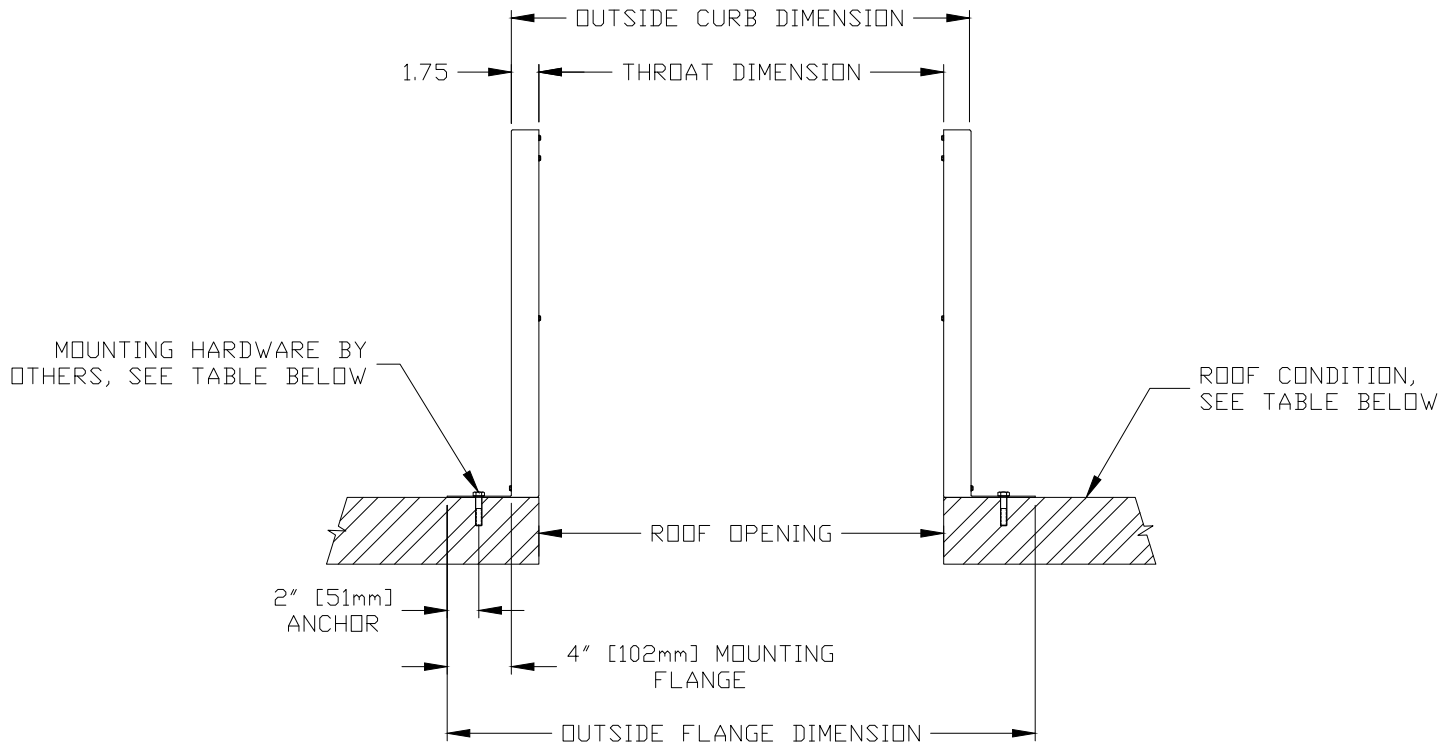




# ROOF OPENING DETAILS

## EHH-601PD

Miami-Dade and Florida Product Approved  
Extruded Aluminum, Louvered Penthouse

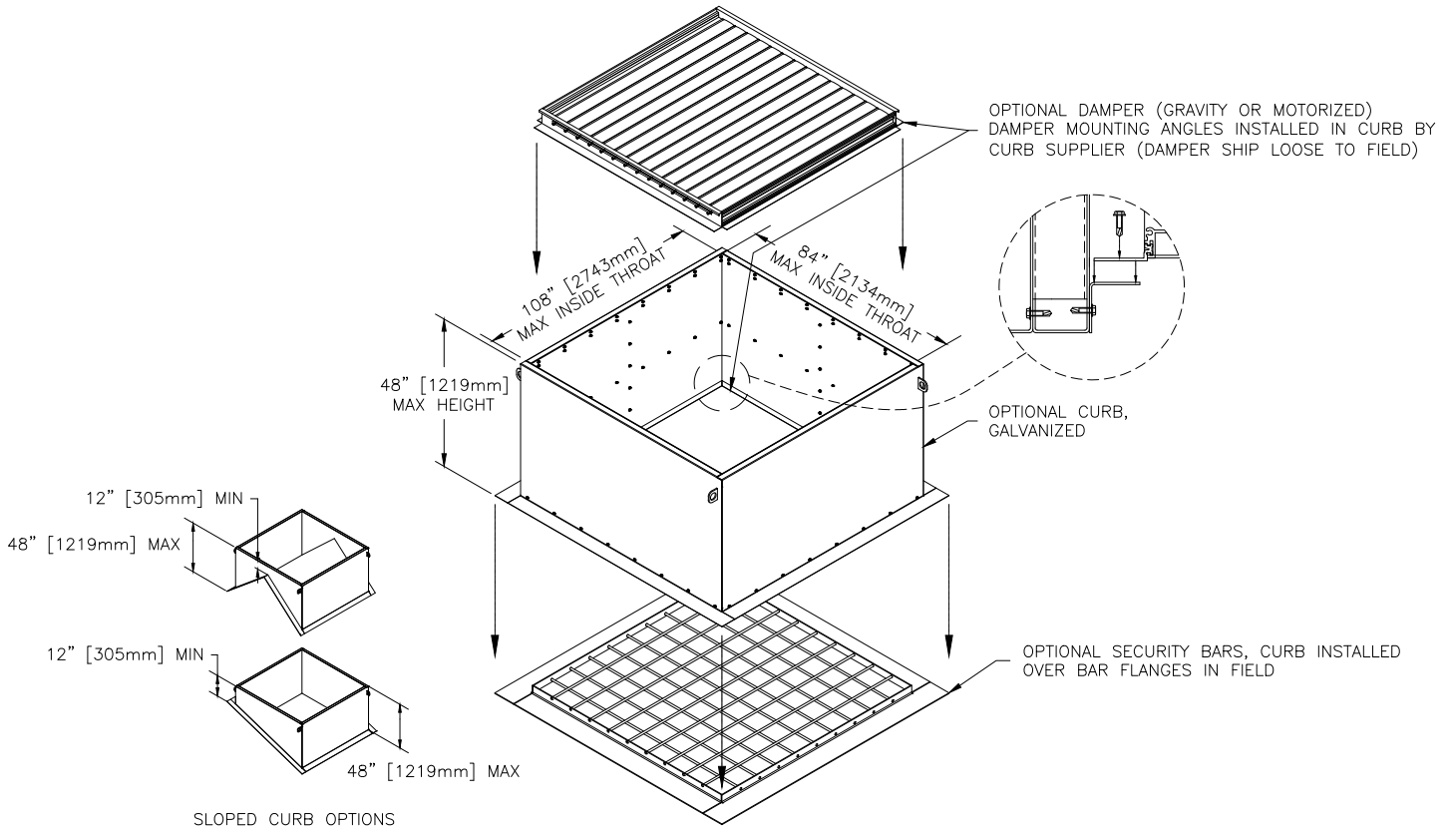


CURB ANCHOR INFORMATION		
SUBSTRATE, MINIMUMS	ANCHOR DESCRIPTION	NOTES
<b>CONCRETE:</b> 4" [102mm] THICK 3 KSI [20.6 MPA] NORMAL WEIGHT CRACKED	HILTI KWIK BOLT TZ2 EXPANSION ANCHOR, 300 SS, 6" [152mm] MAX CENTERS ALONG CURB FLANGE, $\phi 3/8"$ [10mm] ONLY X MIN LENGTH $\square$ 3" [76mm]	MIN 2.5" NOM. EMBEDMENT, MIN 4.38" [111mm] TO CONCRETE EDGE/END, FULL BEARING REQUIRED UNDER CURB FLANGE, ALSO ACCEPTABLE IS 300 SS THRU-BOLT MIN 3/8-16 WITH MIN 2" [51mm] O.D. BY MIN 0.05" [1.3mm] THICK WASHER AT NUT
	HILTI KWIK BOLT TZ2 EXPANSION ANCHOR, 300 SS. 2 PER CORNER ANCHOR PLATE AT 6" [152mm] MAX CENTERS, $\phi 3/8"$ [10mm] ONLY X MIN LENGTH $\square$ 3.5" [89mm]	
<b>STEEL:</b> 16 GA [1.6mm] FY 50 KSI [345 MPA] OR 1/8" [3mm] ASTM A3, FY 36 KSI [248 MPA]	ELCO BI-FLEX SELF-DRILLING SCREW, 3" [76mm] MAX CENTERS ALONG CURB FLANGE, MIN 1/4-(14 OR 20) X 1" MIN LENGTH	FULL THREAD ENGAGEMENT, MIN 0.5" [13mm] STEEL EDGE/END, 300 SS HEAD/SHANK WITH COATED STEEL DRILL POINT, FULL BEARING REQUIRED UNDER CURB FLANGE, ALSO ACCEPTABLE IS 300 SS THRU-BOLT MIN 1/4-20 WITH MIN 0.5" [13mm] O.D. BY MIN 0.04" [1mm] THICK WASHER AT NUT
	ELCO BI-FLEX SELF-DRILLING SCREW, 9 PER CORNER ANCHOR PLATE AT 0.75" [19mm] MAX CENTERS, MIN 1/4-(14 OR 20) X 1.5" MIN LENGTH	
<b>WOOD:</b> 3" [76mm] THICKNESS, S.G. 0.042	LAG BOLT, 300 SS, 3" [76mm] MAX CENTERS ALONG CURB FLANGE, MIN $\phi 1/2"$ X 3" MIN LENGTH	MIN 2" [51mm] THREAD ENGAGEMENT, MIN 2.9" [74mm] PENETRATION, MIN 1.5" [38mm] WOOD EDGE, MIN 2.63" [67mm] WOOD END, FULL BEARING REQUIRED UNDER CURB FLANGE, ALSO ACCEPTABLE IS 300 SS THRU-BOLT MIN 1/2-13 WITH MIN 2" [51mm] O.D. BY MIN 0.05" [1.3mm] THICK WASHER AT NUT
	LAG BOLT, 300 SS, 3 PER CORNER ANCHOR PLATE AT 3" [76mm] MAX CENTERS, MIN $\phi 1/2"$ X 3.5" MIN LENGTH	

# OPTION DRAWINGS

# EHH-601PD

Miami-Dade and Florida Product Approved  
Extruded Aluminum, Louvered Penthouse



## Weather Infiltration Disclosure

Louvered penthouses provide a level of defense against weather infiltration, however; louvered penthouses cannot be considered weather proof. Greenheck recommends provisions to manage weather infiltration be present beyond the louvered penthouse so as to mitigate weather passage and prevent water related damage to building conditions or equipment. Design of or materials as required to manage weather infiltration are not provided by Greenheck. Greenheck also recommends sound product application/engineering practice(s) be employed when applying louvered penthouses. Such practice(s) may include, but are not limited to, conservative throat and louver free area velocities. Greenheck shall not be held liable for water related damage to building conditions or equipment

