

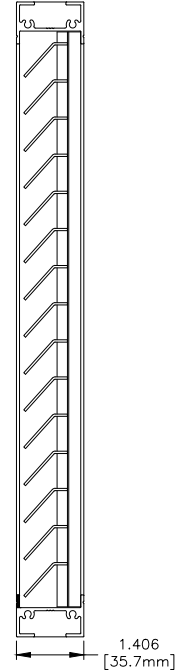
Thinline Louver Thinline Blade

Application and Design

ESU-154 is a thinline stationary louver commonly used for interior or exterior applications where high free area and low airflow resistance is required. The narrow depth makes this product ideal for installation into curtainwalls, windows, or as air conditioning grilles.

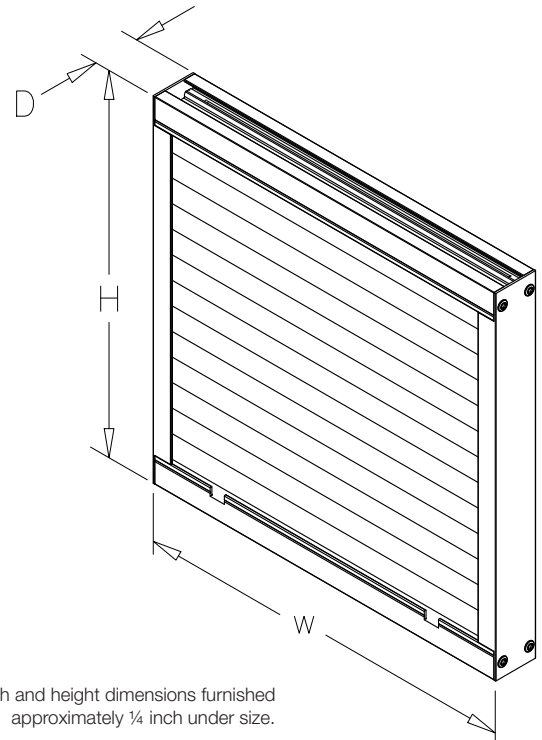
Standard Construction

- Frame** Heavy gauge aluminum, 1 ½ in. x 0.063 in. nominal wall thickness
- Blades** Thinline style, heavy gauge aluminum, 0.050 in. nominal wall thickness, positioned at 48° angles on approximately ¾ in. centers
- Construction** . . . Mechanically fastened
- Birdscreen** ¾ in. x 0.051 flattened expanded aluminum in removable frame, inside mount (rear)
- Finish** Mill
- Minimum Size** . . 13 ½ in. W x 10 in. H (without flange)
13 ½ in. W x 12 in. H (with flange)
- Maximum Single Section Size** . . . 72 in. W x 48 in. H



Options (at additional cost)

- A variety of bird and insect screens
- Anchor brackets
- Extended sill
- Flanged frame
- Glazing adaptor
- A variety of architectural finishes including:
Kynar paint

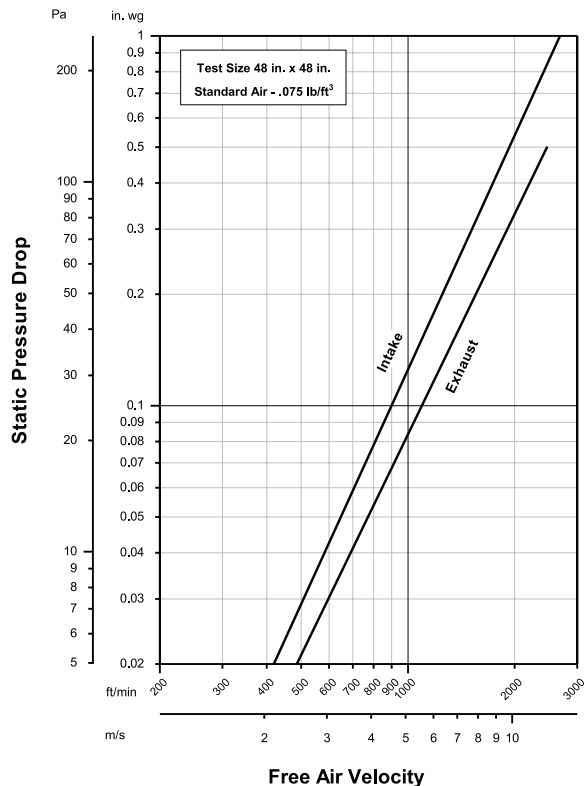


*Width and height dimensions furnished approximately ¼ inch under size.

Free Area Chart (Sq. ft.)

Louver Height Inches	Louver Width in Inches											
	10	12	18	24	30	36	42	48	54	60	66	72
10	0.26	0.33	0.38	0.72	0.93	1.11	1.32	1.53	1.70	1.92	2.09	2.30
12	0.32	0.40	0.47	0.87	1.13	1.35	1.60	1.86	2.08	2.33	2.55	2.80
14	0.38	0.48	0.56	1.05	1.36	1.61	1.92	2.23	2.49	2.79	3.05	3.36
16	0.44	0.56	0.65	1.22	1.58	1.88	2.25	2.61	2.91	3.27	3.57	3.93
18	0.50	0.64	0.74	1.39	1.79	2.13	2.54	2.95	3.29	3.70	4.04	4.44
20	0.57	0.73	0.84	1.57	2.04	2.42	2.89	3.35	3.74	4.20	4.59	5.05
22	0.63	0.80	0.92	1.73	2.24	2.67	3.18	3.69	4.11	4.62	5.05	5.56
24	0.70	0.89	1.03	1.93	2.49	2.96	3.53	4.10	4.57	5.14	5.61	6.18
26	0.75	0.96	1.11	2.08	2.69	3.20	3.82	4.43	4.94	5.55	6.06	6.68
28	0.81	1.03	1.20	2.25	2.91	3.46	4.12	4.78	5.33	6.00	6.55	7.21
30	0.88	1.12	1.30	2.43	3.15	3.74	4.46	5.17	5.77	6.49	7.08	7.80
32	0.94	1.19	1.38	2.59	3.35	3.99	4.75	5.51	6.15	6.91	7.55	8.31
34	1.01	1.28	1.49	2.78	3.60	4.28	5.10	5.92	6.60	7.42	8.10	8.92
36	1.06	1.35	1.57	2.94	3.80	4.52	5.39	6.25	6.97	7.84	8.56	9.42
38	1.13	1.43	1.66	3.11	4.03	4.79	5.71	6.63	7.39	8.31	9.07	9.99
40	1.19	1.51	1.76	3.29	4.26	5.06	6.03	7.00	7.80	8.77	9.58	10.55
42	1.25	1.59	1.84	3.45	4.47	5.31	6.33	7.34	8.19	9.20	10.05	11.07
44	1.32	1.68	1.94	3.64	4.71	5.60	6.67	7.74	8.64	9.71	10.60	11.67
46	1.38	1.75	2.03	3.80	4.91	5.84	6.96	8.08	9.01	10.13	11.06	12.18
48	1.45	1.84	2.13	3.99	5.16	6.14	7.32	8.49	9.47	10.64	11.62	12.79

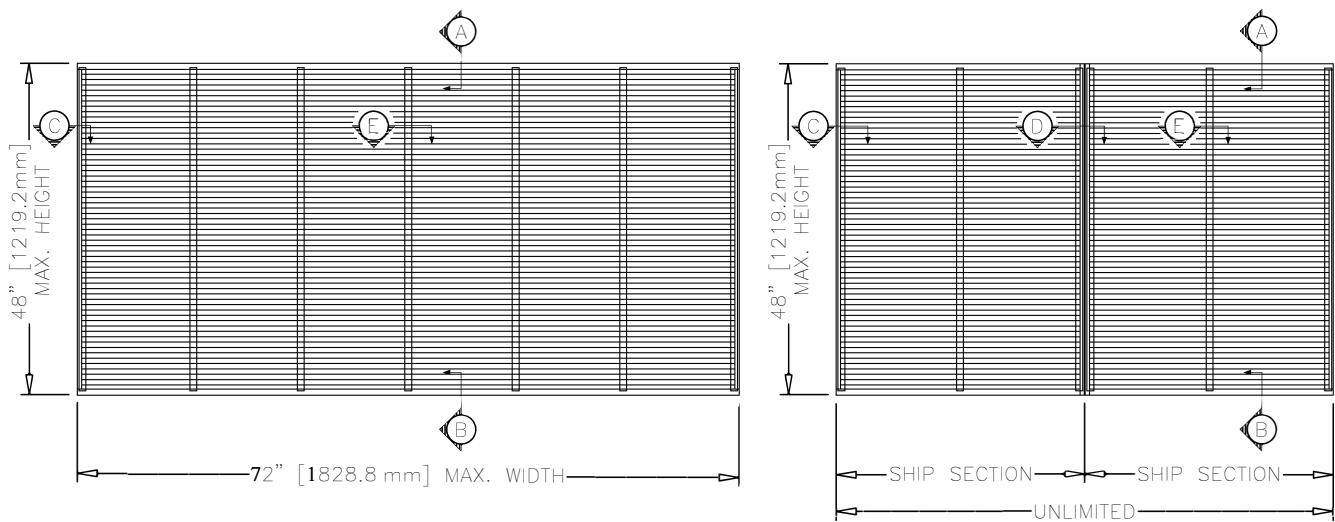
Airflow Resistance (Standard Air - .075 lb/ft³)



Model ESU-154 resistance to airflow (pressure drop) varies depending on louver application (air intake or air exhaust). Free area velocities (shown) are higher than average velocity through the overall louver size. See louver selection information.

Maximum Size and Installation Information

Maximum single section size for model ESU-154 is 72 in. W x 48 in. H. Larger openings require field assembly of multiple louver panels to make up the overall opening size. Structural reinforcing members may be required to adequately support and install multiple louver sections within a large opening. Structural reinforcing members along with any associated installation hardware is not provided by Greenheck unless indicated otherwise by Greenheck. Options and accessories including, but not limited to, screens, filter racks, louver doors, and blank off panels are not subject to structural analysis unless indicated otherwise by Greenheck. Additional information on louver installation may be found in AMCA Publication #501, Louver Application Manual.

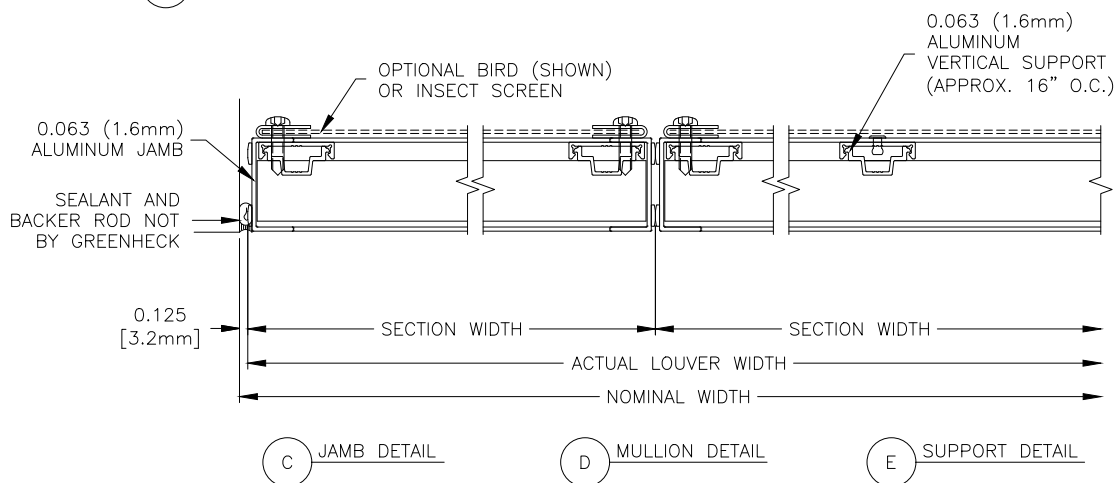
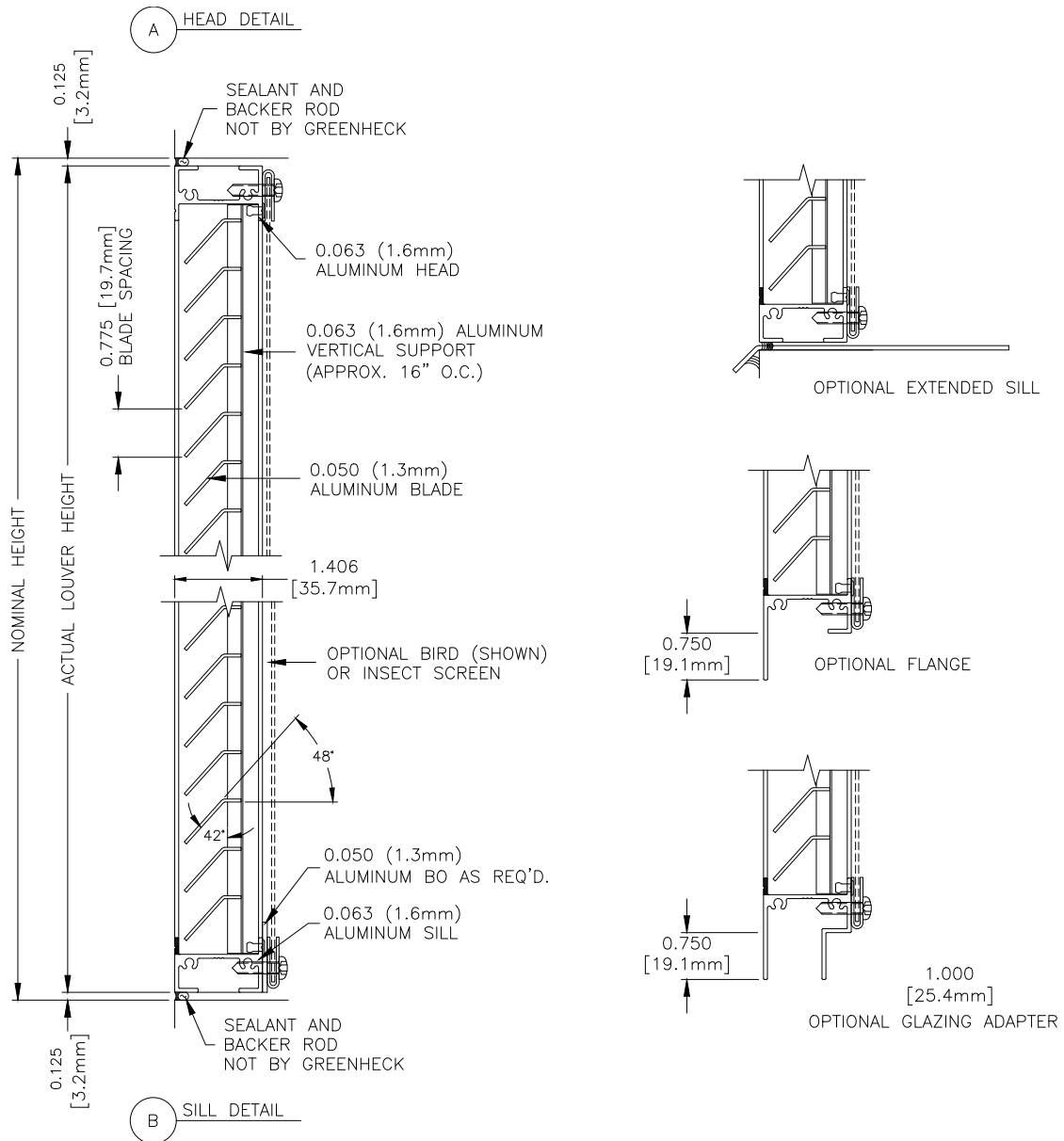


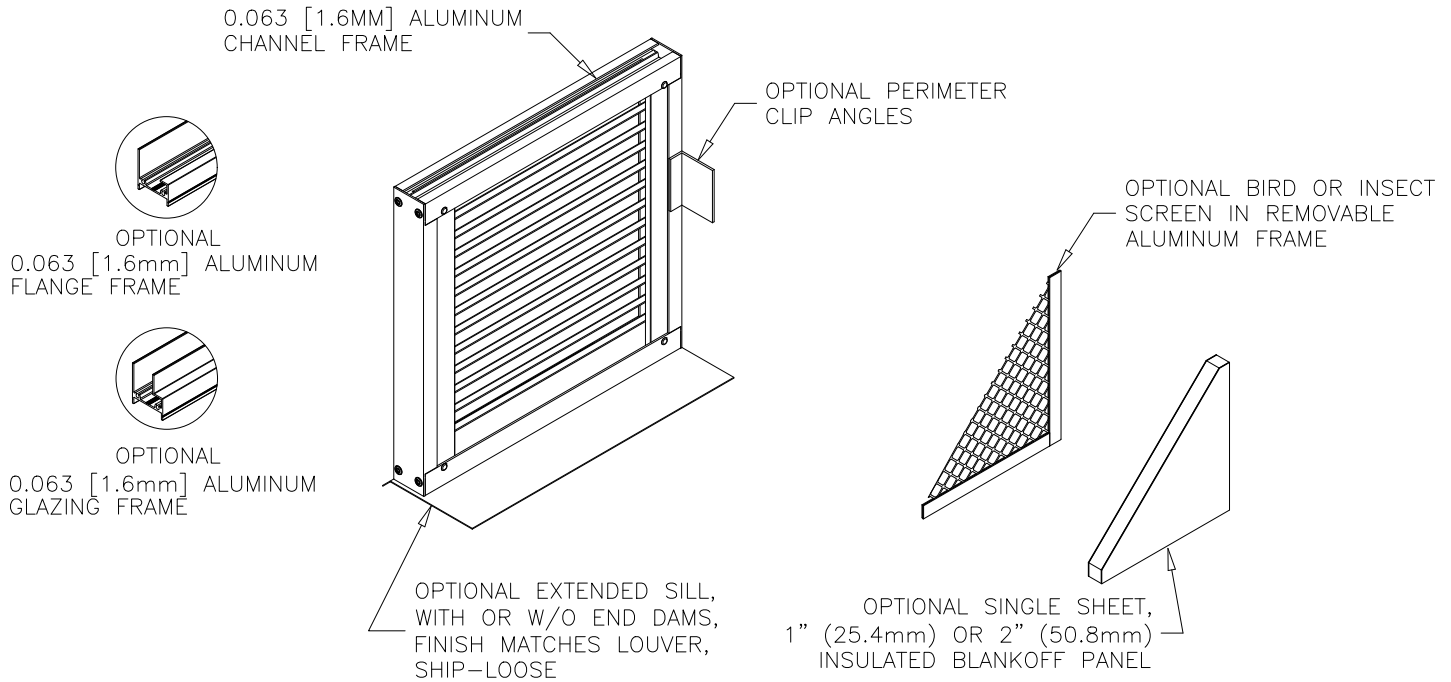
Minimum Single Section Size

13 ½ in. W x 10 in. H (without flange)
13 ½ in. W x 12 in. H (with flange)

Maximum Single Section Size

72 in. W x 48 in. H





FINISHES

Finish Type	Description/Application	Color Selection	Standard Warranty (Aluminum)
AAMA 2605 100% Fluoropolymer (FEVE) 2-Coat 70% Kynar® (PVDF) 3-Coat 70% Kynar® (PVDF)	"Best." The premier finish for extruded aluminum. Tough, long-lasting coating has superior color retention and abrasive properties. Resists chalking, fading, chemical abrasion and weathering.	Standard Colors: Any of the 27 standard colors shown can be furnished in 70% Kynar® or 100% Fluoropolymer. Mica Colors: Greenheck offers 6 standard Mica colors for 70% Kynar® or 100% Fluoropolymer. Custom Colors: Custom color matching is available. Consult your Greenheck representative for cost and/or lead-time implications if a custom color is required.	10 Years (20 Years Optional)
Prime Coat	Louvers or architectural products shall be cleaned, pre-treated and receive a prime coat finish suitable for field painting. Greenheck does not recommend prime coat or field painting of materials.		n/a
Mill	Materials may be supplied in natural aluminum or galvanized steel finish when normal weathering is acceptable and there is no concern for color or color change.		n/a

Finishes meet or exceed AAMA 2605 requirements. Please consult www.greenheck.com for complete information on standard and extended paint warranties. Paint finish warranties are not applicable to steel products.

