

## Application

Model FDR-510 is a static rated round fire damper for use in HVAC systems that are automatically shut down in the event of a fire. This fire damper is rated for use in walls or partitions with less than 3 hour fire resistance rating and can be mounted vertically or horizontally.

## Ratings

### UL 555 Fire Resistance Rating

Fire Rating: 1½ hours

## Construction

	Standard	Optional
<b>Frame Material</b>	Galvanized steel*	-
<b>Frame Material Thickness</b>	20 ga. (1 mm)	16 ga. (1.5 mm)
<b>Blade Material</b>	Galvanized steel	-
<b>Blade Thickness</b>	20 ga. (1mm)	-
<b>Axle Bearings</b>	Bronze	316SS
<b>Axle Material</b>	½ in. (13mm) plated steel	-
<b>Closure Device</b>	Fusible Link	-
<b>Closure Temperature</b>	165° F (74°C)	212°F (100°C)



These dimensions are furnished approximately ¼ in. (3mm) undersize.



See complete marking on product.

UL 555 Classification R13317

Model FDR-510 meets the requirements for fire dampers established by:

**National Fire Protection Association**

NFPA Standards 80, 90A, & 101

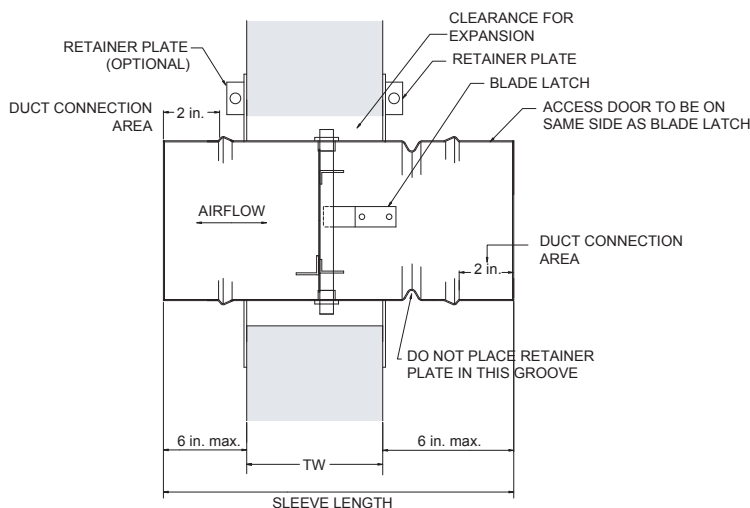
**International Building Code (IBC)**

**California State Fire Marshall (CFSM)**

Fire Damper Listing #3225-0981:0112

## Size Limitations

Diameter	Minimum Size	Maximum Size
Inches	4	24
mm	102	610

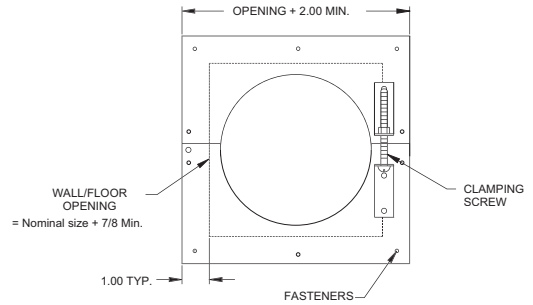


Wall Thickness	Sleeve Length
Up to 6½ in.	13 ⅝ in.
Up to 8½ in.	15 ⅝ in.
Up to 10½ in.	17 ⅝ in.
Over 10½ in.	Consult Greenheck

## Options

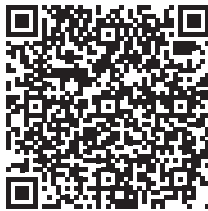
- One retainer plate supplied with damper
- Additional retainer plate available

## FDR-510 Static Rated Round Fire Damper



## Document Links

### [Installation Instructions](#)



### [Life Safety Damper Catalog](#)



### [Damper Product Selection Guide](#)



### [Specifications](#)



### [Damper Warranty](#)

