

Fabricated Steel Sand Louver Sightproof Blade

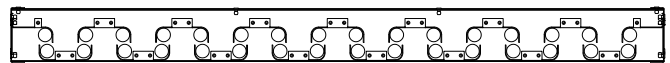
Application and Design

FSL-401 is a sand louver designed to protect air intake and exhaust openings in building exterior walls from wind-driven sand. Design incorporates vertical sightproof blades to separate sand from the air stream which is then channeled out at the sloped sill. The FSL-401 is not intended as a substitute for conventional air filters.



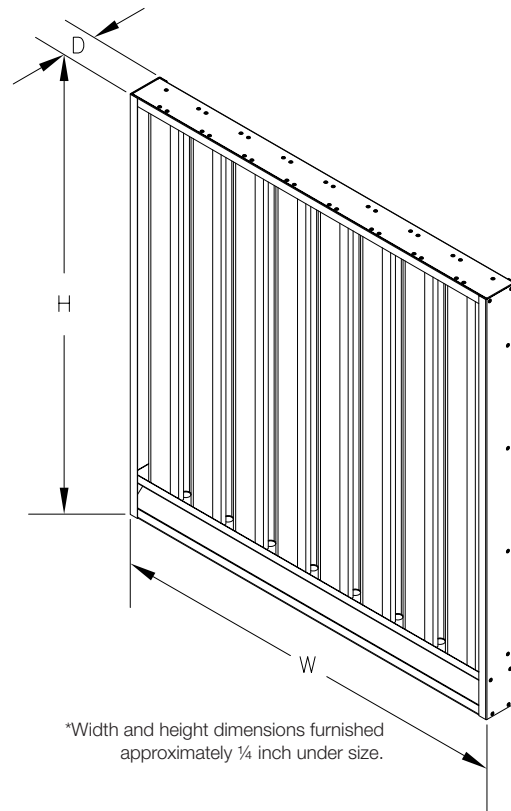
Standard Construction

- Frame** 4 in. x 18 gauge galvanized steel
- Blades** Vertical sightproof style, 18 gauge galvanized steel wall thickness, positioned on approximately 4 in. centers
- Construction** . . . Mechanically fastened
- Birdscreen** ½ in. x ½ in. mesh 19 gauge galvanized steel in removable frame, inside mount (rear)
- Finish** Mill
- Minimum Size** . . 12 in. W x 12 in. H
- Maximum Single Section Size** . . . 60 in. W x 96 in. H or 96 in. W x 60 in. H (limited to 40 sq. ft.)



Options (at additional cost)

- A variety of bird and insect screens
- Aluminum construction-limited to 60 in. High
- Blank off panel
- Clip angles
- Extended sill
- Filter rack
- Flanged frame
- Heavier gauge blade and frame construction
- Hinged frame
- Security Bars
- Welded construction
- A variety of architectural finishes including:
 - Baked enamel paint
 - Kynar paint



PERFORMANCE DATA

FSL-401

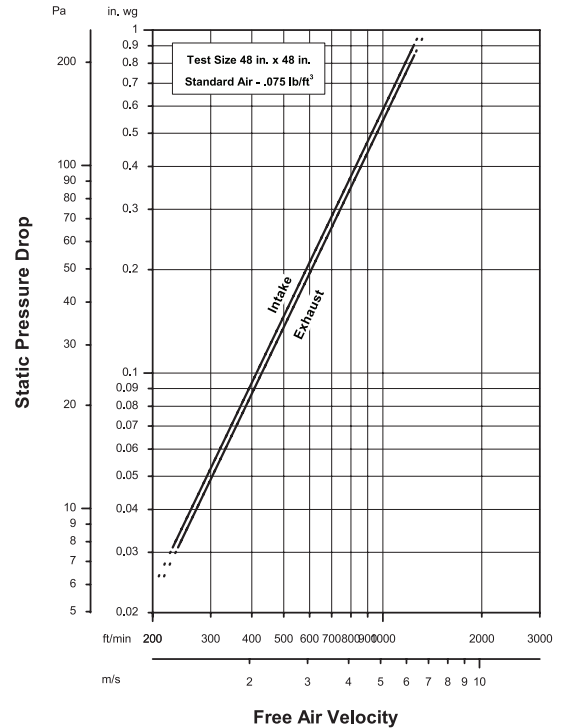
Fabricated Steel Sand Louver
Sightproof Blade

Free Area Chart (Sq. ft.)


Height (in)*	Width (in)*															
	12	18	24	30	36	42	48	54	60	66	72	78	84	90	96	
12	0.10	0.18	0.27	0.35	0.43	0.52	0.59	0.66	0.74	0.81	0.88	0.96	1.03	1.10	1.18	
18	0.21	0.37	0.54	0.71	0.88	1.05	1.20	1.35	1.50	1.65	1.80	1.95	2.10	2.25	2.40	
24	0.31	0.56	0.82	1.08	1.33	1.59	1.82	2.04	2.27	2.50	2.72	2.95	3.18	3.40	3.63	
30	0.42	0.76	1.10	1.44	1.79	2.13	2.43	2.74	3.04	3.34	3.65	3.95	4.25	4.56	4.86	
36	0.52	0.95	1.37	1.80	2.24	2.67	3.05	3.43	3.81	4.19	4.57	4.95	5.33	5.71	6.09	
42	0.63	1.14	1.65	2.17	2.69	3.21	3.66	4.12	4.57	5.03	5.49	5.94	6.40	6.86	7.31	
48	0.73	1.33	1.93	2.53	3.14	3.74	4.28	4.81	5.34	5.88	6.41	6.94	7.47	8.01	8.54	
54	0.84	1.52	2.21	2.90	3.59	4.28	4.89	5.50	6.11	6.72	7.33	7.94	8.55	9.16	9.77	
60	0.94	1.71	2.48	3.26	4.04	4.82	5.51	6.19	6.88	7.56	8.25	8.94	9.62	10.31	10.99	
66	1.03	1.88	2.72	3.58	4.44	5.29	6.04	6.80	7.55							
72	1.14	2.07	3.00	3.94	4.89	5.83	6.66	7.49	8.32							
78	1.24	2.26	3.28	4.31	5.34	6.37	7.27	8.18	9.09							
84	1.35	2.45	3.56	4.67	5.79	6.90	7.89	8.87	9.85							
90	1.46	2.64	3.83	5.03	6.24	7.44	8.50	9.56	10.62							
96	1.56	2.83	4.11	5.40	6.69	7.98	9.12	10.25	11.39							

* Height and Width are Nominal Size (undersized 0.25 in total from actual size)

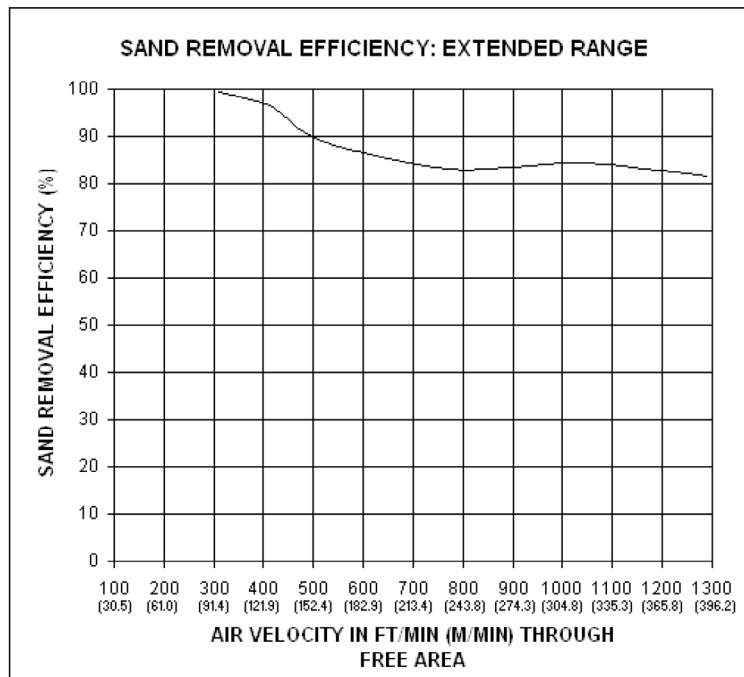
Airflow Resistance (Standard Air - .075 lb/ft³)



Model FSL-401 resistance to airflow (pressure drop) varies depending on louver application (air intake or air exhaust). Free area velocities (shown) are higher than average velocity through the overall louver size. See louver selection information.



Greenheck Fan Corporation certifies that the FSL-401 louvers shown herein are licensed to bear the AMCA Seal. The ratings shown are based on tests and procedures performed in accordance with AMCA Publication 511 and comply with the requirements of the AMCA Certified Ratings Program. The AMCA Certified Ratings Seal applies to air performance ratings.



Sand Removal Efficiency Charts of the FSL-401 per ASHRAE Standard Method 52.1-1992 (previously ASHRAE Standard 52-76) as tested by a third party independent test lab using crushed quartz (150-300 µm) dust medium.

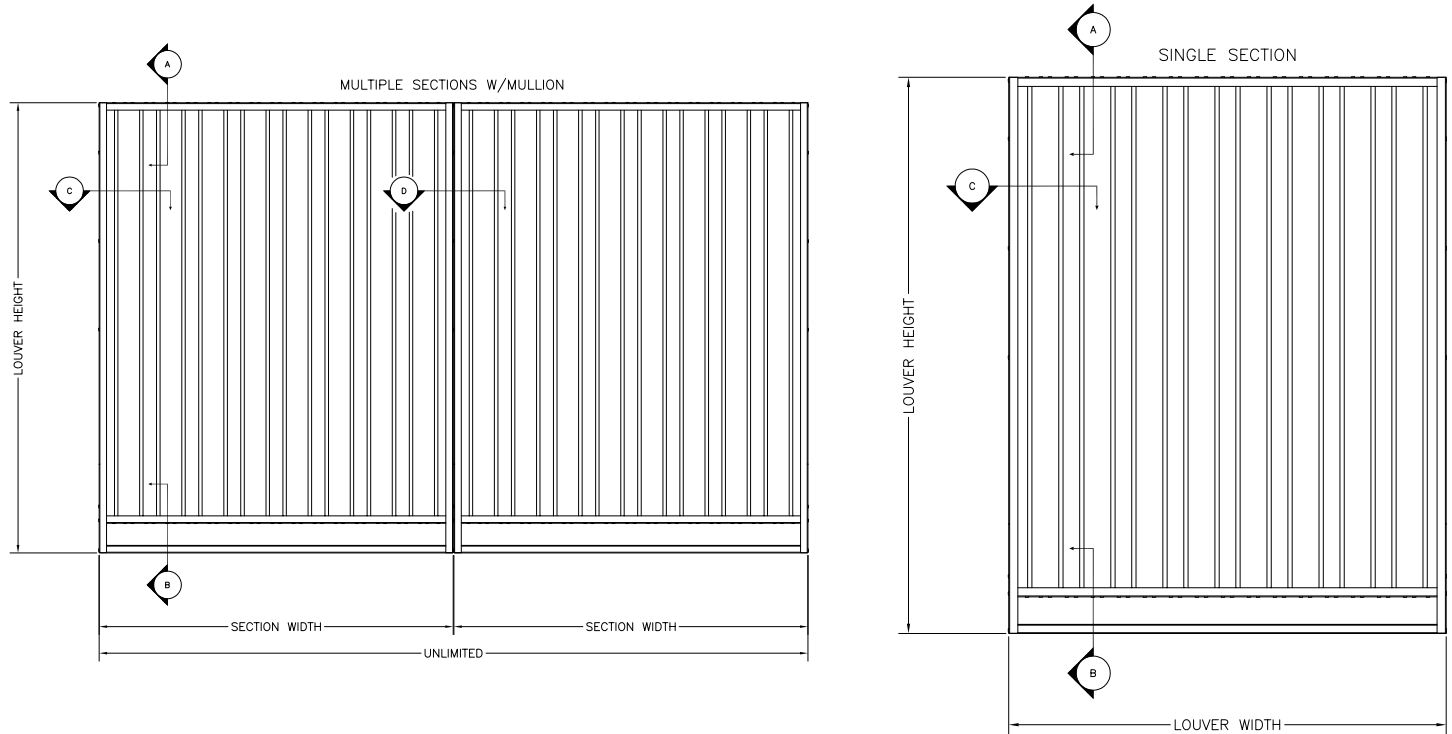
INSTALLATION DETAILS

FSL-401

Maximum Size and Installation Information

Fabricated Steel Sand Louver
Sightproof Blade

Maximum single section size for model FSL-401 is 60 in. W x 96 in. H or 96 in. W x 60 in. H (limited to 40 sq. ft.). Larger openings require field assembly of multiple louver sections to make up the overall opening size. Individual louver sections are designed to withstand a 24 PSF wind load (please consult Greenheck if the louvers must withstand higher wind-loads). Structural reinforcing members may be required to adequately support and install multiple louver sections within a large opening. Structural reinforcing members along with any associated installation hardware is not provided by Greenheck unless indicated otherwise by Greenheck. Options and accessories including, but not limited to, screens, filter racks, louver doors, and blank off panels are not subject to structural analysis unless indicated otherwise by Greenheck. Additional information on louver installation may be found in AMCA Publication #501, Louver Application Manual.



Minimum Single Section Size

12 in. W x 12 in. H

Maximum Single Section Size

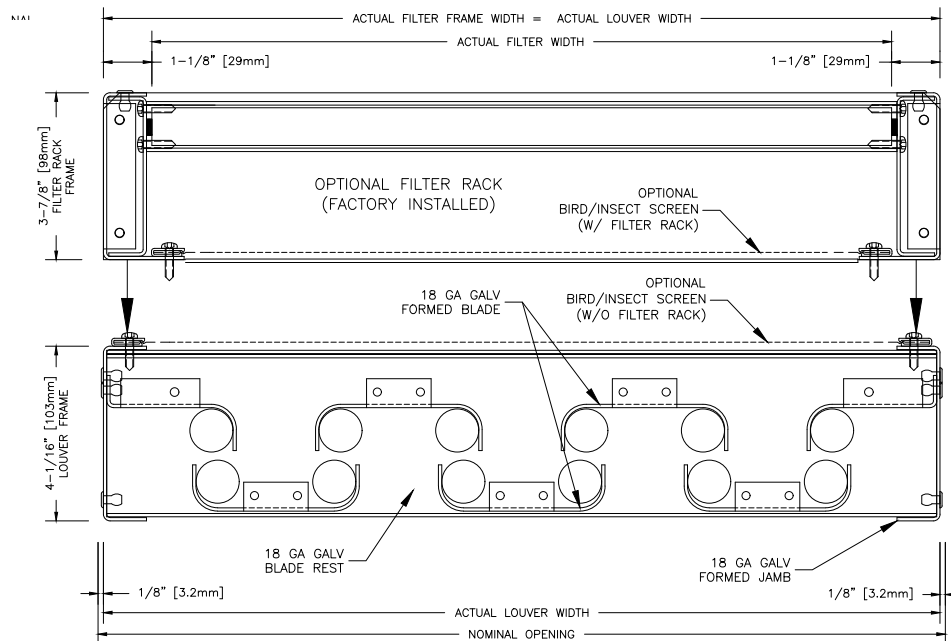
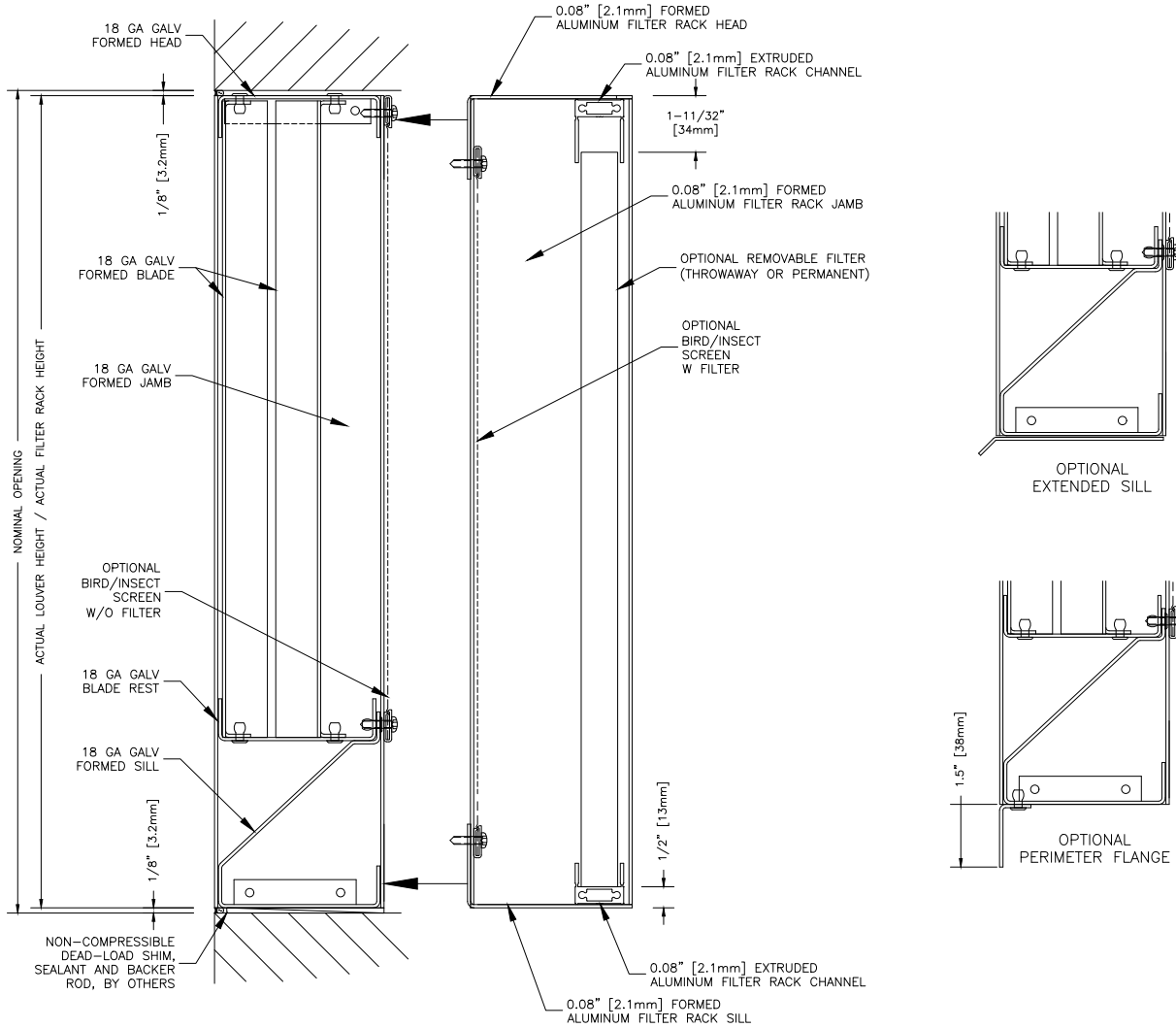
60 in. W x 96 in. H or 96 in. W x 60 in. H
(limited to 40 sq. ft.)

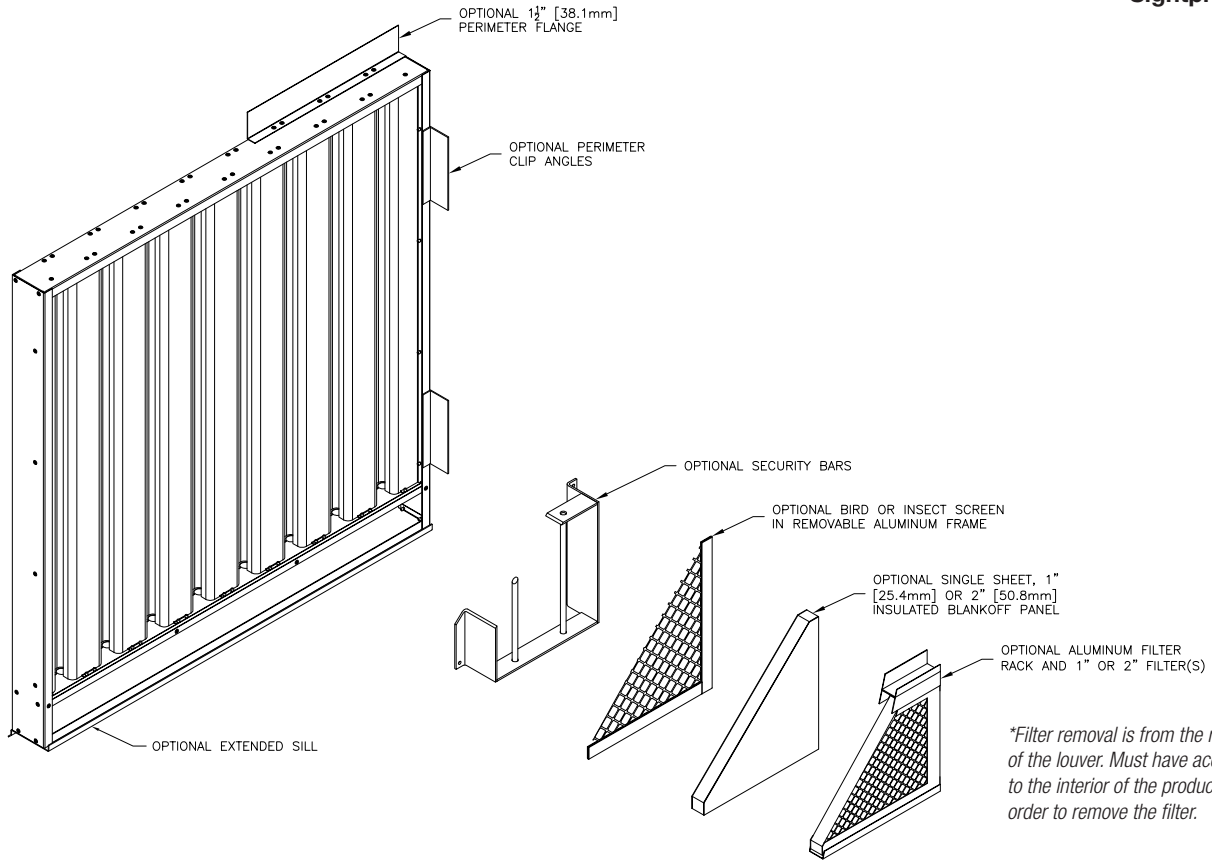
PRODUCT DETAILS

FSL-401

Fabricated Steel Sand Louver
Sightproof Blade

OPTIONAL FILTER RACK
(FACTORY INSTALLED)





**Filter removal is from the rear of the louver. Must have access to the interior of the product in order to remove the filter.*

FINISHES

Finish Type	Description/Application	Color Selection	Standard Warranty (Aluminum)
AAMA 2605 100% Fluoropolymer (FEVE) 2-Coat 70% Kynar® (PVDF) 3-Coat 70% Kynar® (PVDF) 4-Coat 70% Kynar® (PVDF)	"Best." The premier finish for extruded aluminum. Tough, long-lasting coating has superior color retention and abrasive properties. Resists chalking, fading, chemical abrasion and weathering.	Standard Colors: Any of the 27 standard colors shown can be furnished in 70% or 50% Kynar®, 100% Fluoropolymer or Baked Enamel. Mica Colors: Greenheck offers 6 standard Mica colors for 70% Kynar® or 100% Fluoropolymer. Custom Colors: Custom color matching is available. Consult your Greenheck representative for cost and/or lead-time implications if a custom color is required.	10 Years (20 Years Optional)
AAMA 2604 50% Kynar® / Acroflur®	"Better." Tough, long-lasting coating has excellent color retention and abrasive properties. Resists chalking, fading, chemical abrasion and weathering.		5 Years
AAMA 2603 Baked Enamel	"Good." Provides good adhesion and resistance to weathering, corrosion and chemical stain.		1 Year
AA-M10C22A42 Integral Color Anodize	"Two-step" anodizing is produced by following the normal anodizing step with a second, colorfast process.	Light, Medium, Dark or Extra Dark Bronze; Champagne; Black	5 years
AA-M10C22A41 Clear Anodize 215 R-1	Clear, colorless and hard oxide aluminum coating that resists weathering and chemical attack.	Clear	5 years
AA-M10C22A31 Clear Anodize 204	Clear, colorless and hard oxide aluminum coating that resists weathering and chemical attack.	Clear	1 Year
Prime Coat	Louvers or architectural products shall be cleaned, pre-treated and receive a prime coat finish suitable for field painting. Greenheck does not recommend prime coat or field painting of materials.		n/a
Mill	Materials may be supplied in natural aluminum or galvanized steel finish when normal weathering is acceptable and there is no concern for color or color change.		n/a

Finishes meet or exceed AAMA 2605, AAMA 2604, and AAMA 2603 requirements. Please consult www.greenheck.com for complete information on standard and extended paint warranties. Paint finish warranties are not applicable to steel products.

