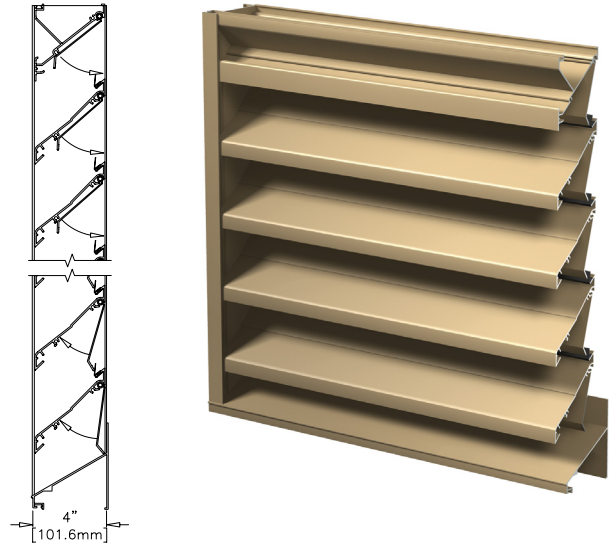


Standard Construction

Frame	Heavy gauge extruded 6063-T5 aluminum, 4 in. (102 mm) x 0.081 in. (2 mm) nominal wall thickness
Blades	Louver blade: J style design, heavy gauge extruded 6063-T5 aluminum, 0.081 in. (2 mm) nominal wall thickness, positioned 45° on approximately 4 in. (102 mm) centers Backdraft damper blade: heavy gauge extruded 6063-T5 aluminum, 0.062 (2 mm) nominal wall thickness
Seals	Dual-durometer extruded vinyl blade seals
Temperature Restrictions	(-20° F) - (+180° F) (-29° C) - (+82° C)
Louver Depth	4 in. (102 mm)
Construction	Mechanically fastened
Finish	Mill
Minimum Size	12 in. W x 12 in. H (305 mm W x 305 mm H)
Maximum Single Section Size	60 in. W x 120 in. H (1524 mm W x 3048 mm H)
Wind Load	25 PSF (1.2 kPa)



Performance Ratings

Performance of 48 in. x 48 in. (1219 mm x 1219 mm) Louver

Free Area	
Area	6.54 sq. ft. (0.608 sq. m)
Percent	40.9%

Options and Accessories

- [Bird Screen](#)
- [Extended Sill](#)
- [Flange Frame](#)
- [Glazing Frame](#)
- [Insect Screen](#)
- [Mounting Angles](#)
- [Variety of Architectural Finishes](#)

Document Links

[Louver Finishes & Colors](#)

[Louver Product Selection Guide](#)

[Louver Products Catalog](#)

[Louver Warranty Statement](#)

Product Details

[GCE-402 Standard Details](#)

Structural reinforcing members may be required to adequately support and install multiple louver sections within a large opening. Structural reinforcing members along with any associated installation hardware is not provided by Greenheck unless indicated otherwise by Greenheck. Options and accessories including, but not limited to, screens, filter racks, louver doors, and blank off panels are not subject to structural analysis unless indicated otherwise by Greenheck.

Free Area Chart

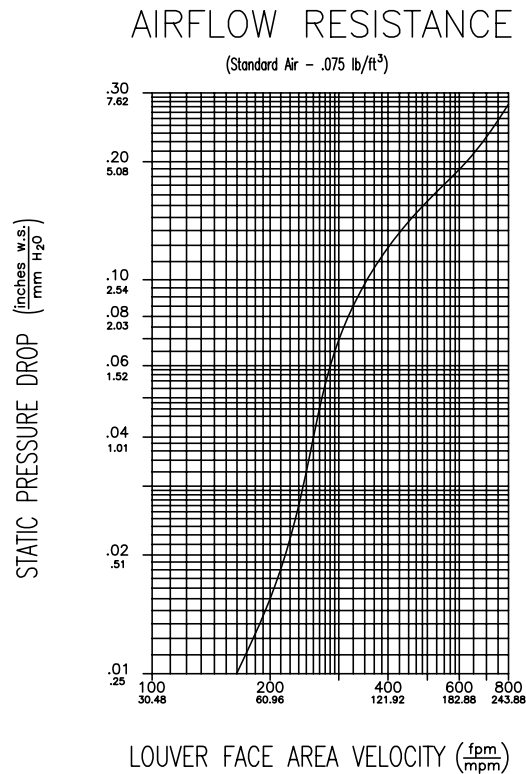
Free Area Chart shows free area in square feet and square meters.

Louver Height Inches (Meters)	Louver Width in Inches (Meters)								
	12	18	24	30	36	42	48	54	60
0.30	0.25	0.41	0.57	0.73	0.89	1.05	1.21	1.33	1.49
0.30	0.02	0.04	0.05	0.07	0.08	0.10	0.11	0.12	0.14
0.46	0.41	0.68	0.94	1.21	1.47	1.74	2.00	2.20	2.47
0.46	0.04	0.06	0.09	0.11	0.14	0.16	0.19	0.20	0.23
0.61	0.58	0.96	1.33	1.71	2.08	2.46	2.84	3.12	3.49
0.61	0.05	0.09	0.12	0.16	0.19	0.23	0.26	0.29	0.32
0.76	0.79	1.31	1.82	2.33	2.85	3.36	3.87	4.26	4.77
0.76	0.07	0.12	0.17	0.22	0.26	0.31	0.36	0.40	0.44
0.91	0.95	1.57	2.19	2.81	3.43	4.05	4.67	5.13	5.75
0.91	0.09	0.15	0.20	0.26	0.32	0.38	0.43	0.48	0.53
1.07	1.12	1.85	2.58	3.31	4.04	4.77	5.50	6.05	6.78
1.07	0.10	0.17	0.24	0.31	0.38	0.44	0.51	0.56	0.63
1.22	1.34	2.20	3.07	3.94	4.81	5.67	6.54	7.19	8.06
1.22	0.12	0.20	0.29	0.37	0.45	0.53	0.61	0.67	0.75
1.37	1.50	2.47	3.44	4.42	5.39	6.36	7.34	8.07	9.04
1.37	0.14	0.23	0.32	0.41	0.50	0.59	0.68	0.75	0.84
1.52	1.67	2.75	3.84	4.92	6.00	7.08	8.17	8.98	10.06
1.52	0.16	0.26	0.36	0.46	0.56	0.66	0.76	0.83	0.93
1.68	1.88	3.10	4.32	5.54	6.76	7.98	9.21	10.12	11.34
1.68	0.17	0.29	0.40	0.51	0.63	0.74	0.86	0.94	1.05
1.83	2.04	3.37	4.70	6.02	7.35	8.67	10.00	11.00	12.32
1.83	0.19	0.31	0.44	0.56	0.68	0.81	0.93	1.02	1.14
1.98	2.21	3.65	5.09	6.52	7.96	9.40	10.83	11.91	13.35
1.98	0.21	0.34	0.47	0.61	0.74	0.87	1.01	1.11	1.24
2.13	2.43	4.00	5.57	7.15	8.72	10.30	11.87	13.05	14.63
2.13	0.23	0.37	0.52	0.66	0.81	0.96	1.10	1.21	1.36
2.29	2.59	4.27	5.95	7.63	9.31	10.99	12.67	13.93	15.61
2.29	0.24	0.40	0.55	0.71	0.86	1.02	1.18	1.29	1.45
2.44	2.76	4.55	6.34	8.13	9.92	11.71	13.50	14.84	16.63
2.44	0.26	0.42	0.59	0.76	0.92	1.09	1.25	1.38	1.54
2.59	2.97	4.90	6.83	8.75	10.68	12.61	14.54	15.98	17.91
2.59	0.28	0.46	0.63	0.81	0.99	1.17	1.35	1.48	1.66
2.74	3.13	5.17	7.20	9.23	11.27	13.30	15.33	16.86	18.89
2.74	0.29	0.48	0.67	0.86	1.05	1.24	1.42	1.57	1.75
2.90	3.30	5.45	7.59	9.73	11.88	14.02	16.16	17.77	19.91
2.90	0.31	0.51	0.71	0.90	1.10	1.30	1.50	1.65	1.85
3.05	3.52	5.80	8.08	10.36	12.64	14.92	17.20	18.91	21.19
3.05	0.33	0.54	0.75	0.96	1.17	1.39	1.60	1.76	1.97

Airflow Resistance

Standard Air - 0.075 lb/ft³ (1.2 kg/m³)

Test size 48 in. x 48 in. (1219 mm x 1219 mm)



Model GCE-402 resistance to airflow (pressure drop) varies depending on louver application (air intake or air exhaust). Free area velocities (shown) are higher than average velocity through the overall louver size. See louver selection information. (Test Figure 5.5-6.5)

Typical Application

