

Application

The GM-30 series is a vertical mounted backdraft damper that is designed to allow horizontal airflow and prevent reverse airflow. The damper is opened by air pressure differential with assistance from fully adjustable counterbalance weights to minimize pressure loss. The damper is closed by gravity.

Ratings

Pressure

Up to 10 in. wg (2.5 kPa) differential pressure

Velocity

3,500 fpm (18 m/s)

Temperature

180°F (82°C)

Construction

	Standard
Frame Material	Galvanized Steel
Frame Thickness	18 ga. (1.3mm)
Blade Material	6063T5 Extruded Aluminum
Blade Thickness	.070 in. (1.8mm)
Axle	½ in. (13mm) nylon
Axle Linkage	⅛ in. (3mm) aluminum
Bearings	Synthetic polycarbonate sleeve type
Blade Seals	Vinyl

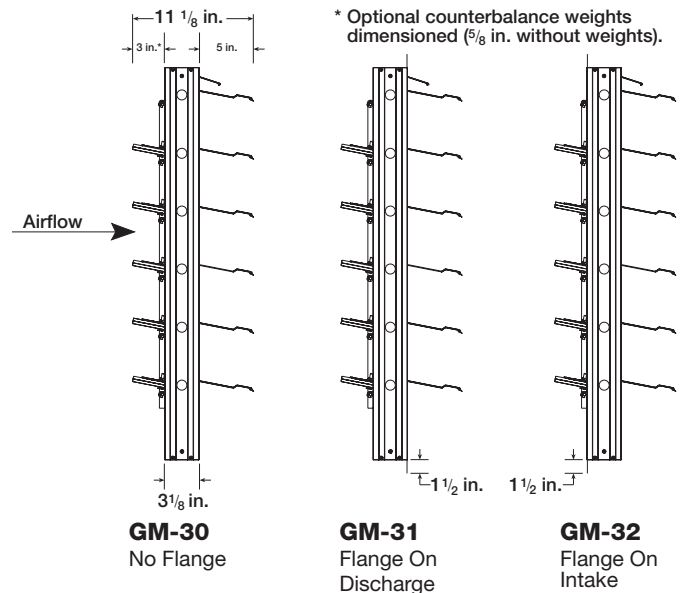
W x H	Minimum Size	Maximum Single	Maximum Multi
	With Weights	Section Size	Section Size
Inches	11 x 11	48 x 74	96 x 74
mm	279 x 279	1219 x 1880	2438 x 1880

Options

- 1½ in. (38mm) flange on discharge: GM-31
- 1½ in. (38mm) flange on intake: GM-32



*W & H dimensions furnished approximately ⅛ in. (3mm) under size.



Counterbalance weights may require field adjustment. Instructions are available at www.greenheck.com.

Performance Data

Test Information

- Air leakage is based on operation between 32°F and 120°F (0°C and 48°C)
- Tests for air leakage were conducted in accordance with ANSI/AMCA Standard 500-D Figure 5.5, in the intake direction
- Air performance testing conducted in accordance with ANSI/AMCA Standard 500-D, Figure 5.5

Air Leakage

Model GM-30 series dampers with a width and height 24 in. (610mm) or greater leak a maximum of:

- 8.9 cfm/ft² or less at 1.0 inches w.g.

Model GM-30 series dampers with a width or height less than 24 in. (610mm) leak a maximum of:

- 35 cfm/ft² or less at 1.0 inches w.g.

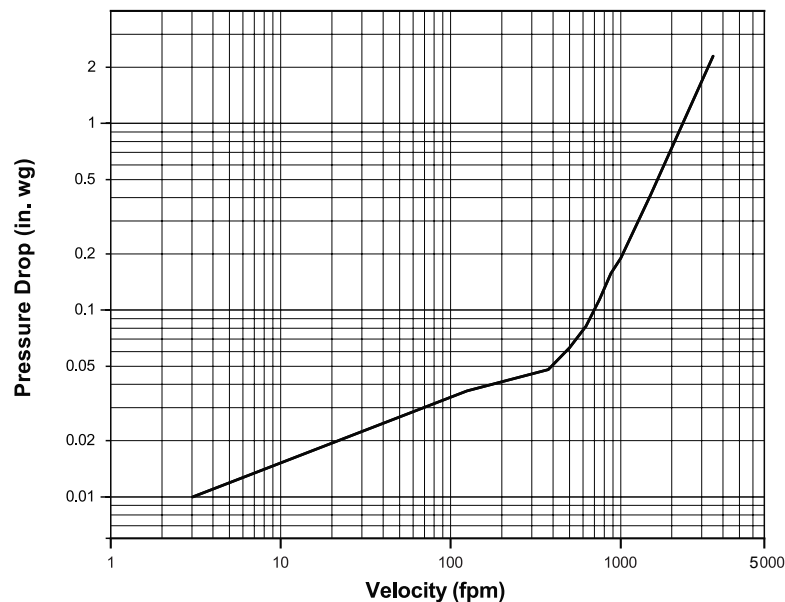
Air Performance

Performance data results from testing a 24 in. x 24 in. damper in accordance with AMCA Standard 500-D using Figure 5.5. All data has been corrected to represent standard air at 0.075 lb/ft³ (1.201 kg/m³).

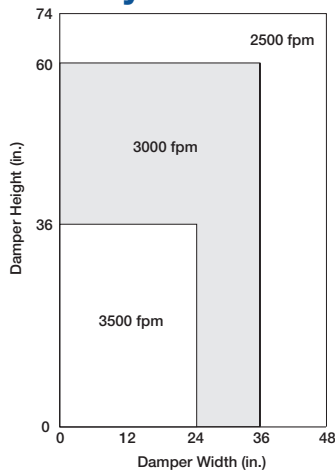
Pressure Drop

24 in. x 24 in. Damper
(610mm x 610mm)

VELOCITY VS. PRESSURE DROP



Velocity Limitations



Operational Data (AMCA Figure 5.3)	ΔP in. wg (Pa)	
	Without Weights	With Weights
Blades Start to Open	0.03 (7.5)	0.01 (2.5)
Blades Fully Open	0.25 (62)	0.055 (13.7)

Operational Data (AMCA Figure 5.5)	ΔP in. wg (Pa)	
	Without Weights	With Weights
Blades Start to Open	0.025 (6.2)	0.01 (3)
Blades Fully Open	0.32 (8)	0.08 (20)

Document Links



[INSTALLATION](#)



[CATALOG](#)



[SELECTION GUIDE](#)



[WARRANTY](#)