

### Application

Greenheck Test Switches (GTS-1, GTS-2, GTS-3, and GTS-4) are used in dynamic smoke management systems containing Combination Fire Smoke Dampers.

The GTS-1 and GTS-2 is a single control panel for use in dynamic smoke management systems to be used on combination fire smoke dampers equipped with TOR.

The GTS-1 control panel has red indicator light for closed damper, green for open damper. GTS-2 has a key switch with red indicator light for closed damper, green for open damper. The LED lights are replaceable.

The GTS-1 and GTS-2 has a three position control switch with the following options:

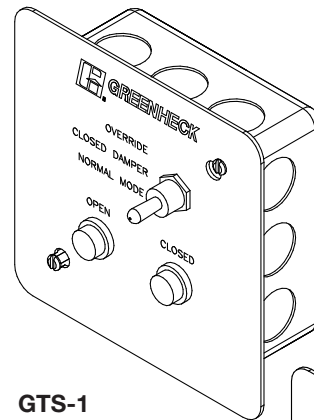
- **Normal position** - The combination fire smoke damper remains open until closed by elevated temperature.
- **Closed position** - The damper closes and remains closed regardless of any sensor signal.
- **Override position** - The damper opens and remains open until any limit sensor signals the damper to close.

The GTS-3 is a control panel that can be used on combination fire smoke dampers with RRL/OCI, OCI or TOR. This test switch has open and close indicator lights with momentary test switch.

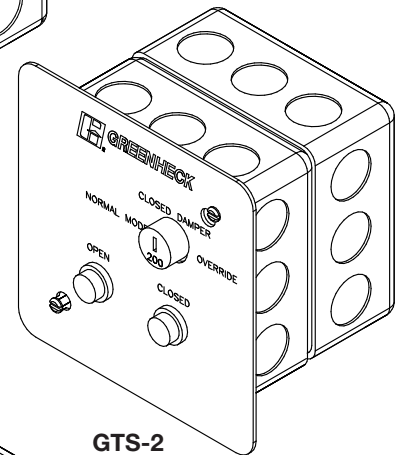
The GTS-4 is a control panel that can be used with combination fire smoke dampers with RRL/OCI, OCI or TOR. This test switch has open and close indicator lights.

The GTS-1, GTS-2, GTS-3 and GTS-4 is only available ship loose.

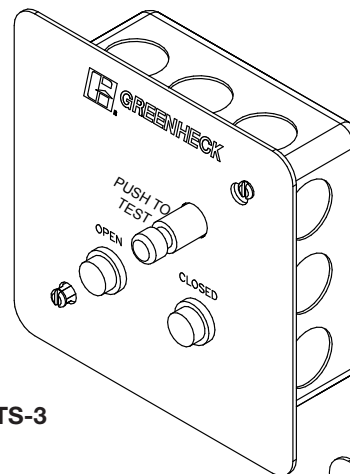
Model (Voltage)	Part Number	316SS Part Number
GTS-1 (120V)	829385	869301
GTS-1 (24V)	843120	869303
GTS-2 (120V)	834500	869305
GTS-2 (24V)	843121	869306
GTS-3 (120V)	837641	869309
GTS-3 (24V)	843122	869307
GTS-4 (120V)	829807	868124
GTS-4 (24V)	843123	869311



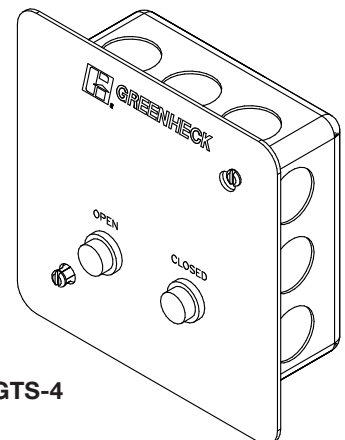
GTS-1



GTS-2



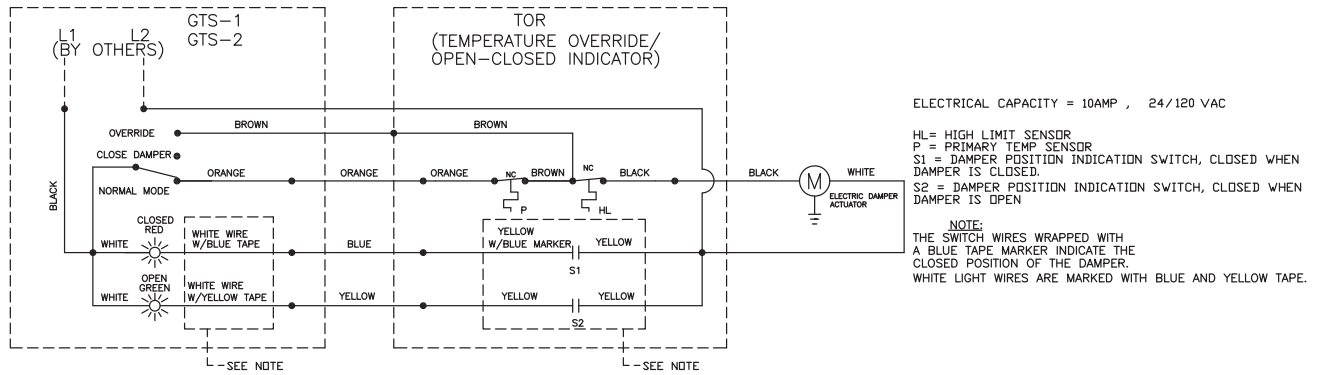
GTS-3



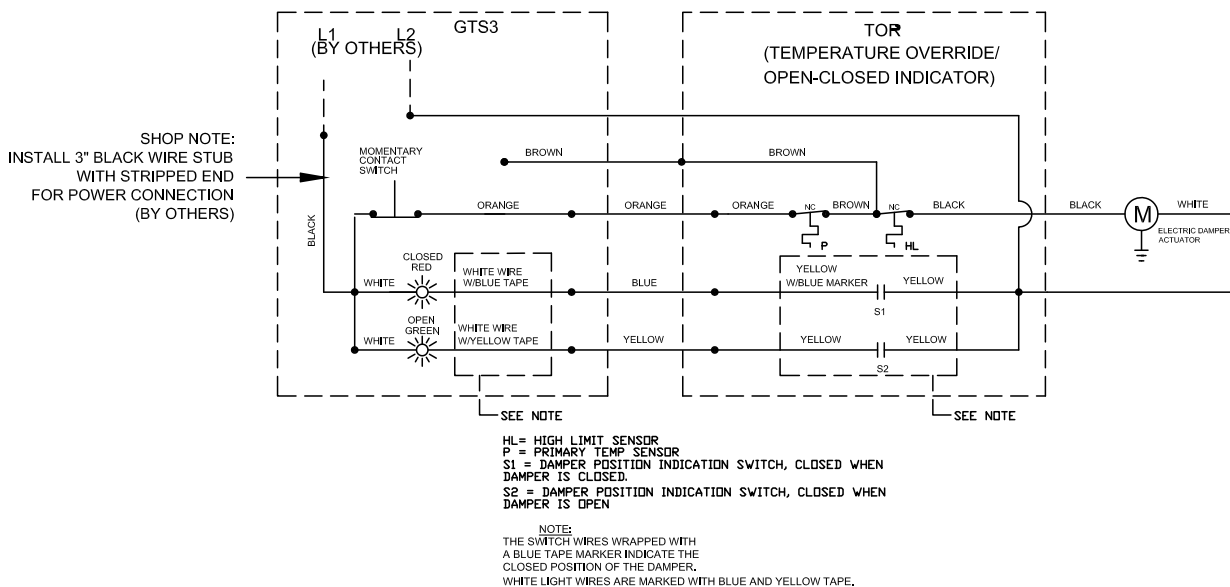
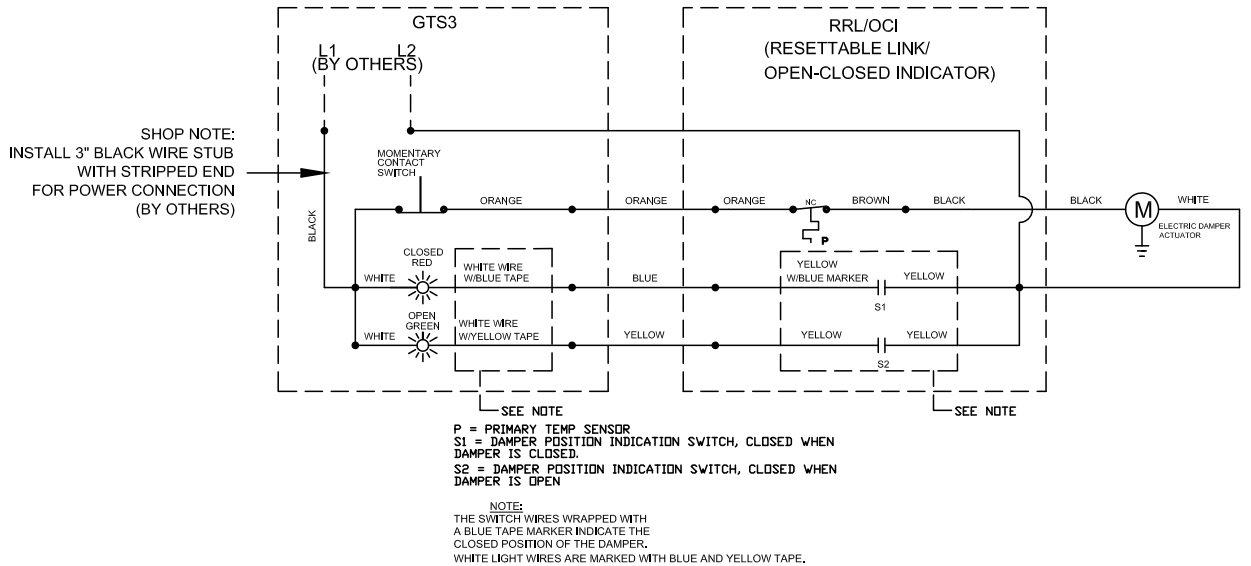
GTS-4

# Wiring Diagrams

## GTS-1 & GTS-2



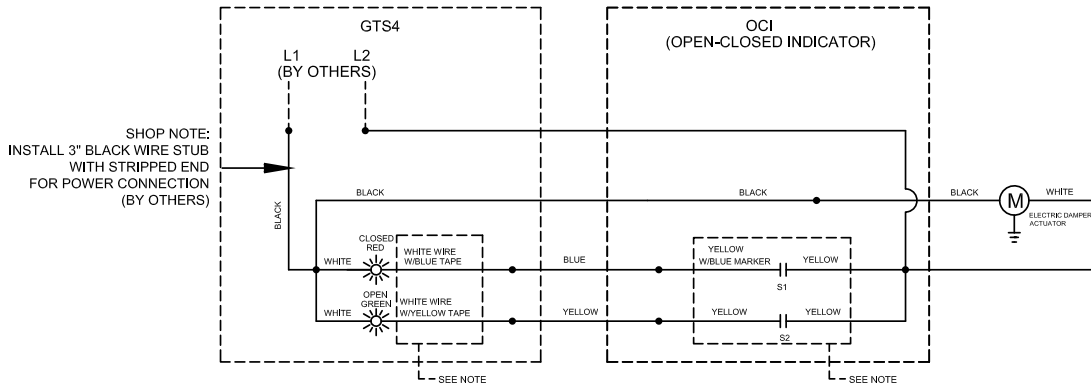
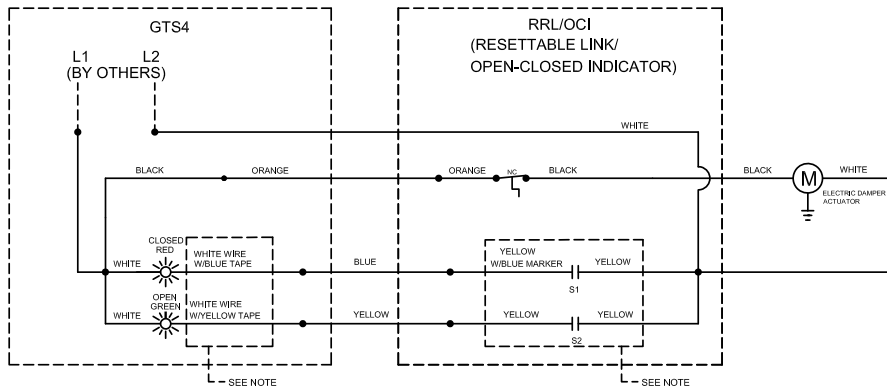
## GTS-3



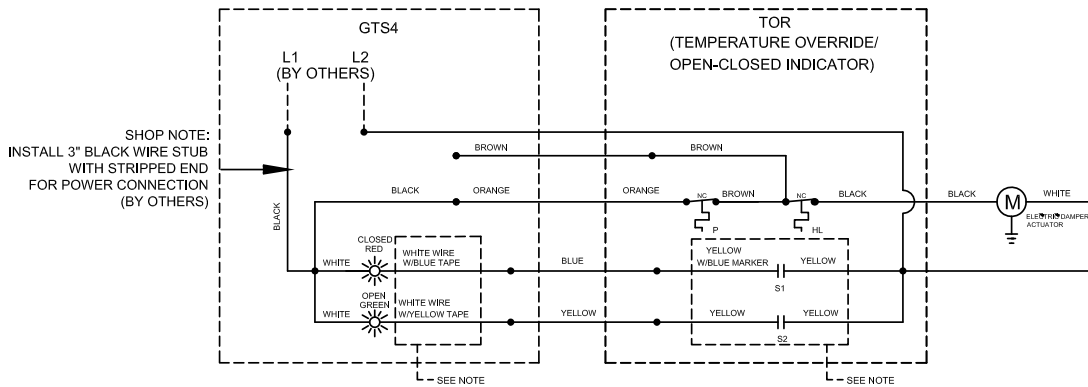
# Greenheck Test Switch

GTS-1, GTS-2, GTS-3, GTS-4

## GTS-4



NOTE:  
THE SWITCH WIRES WRAPPED WITH A BLUE TAPE MARKER INDICATE THE CLOSED POSITION OF THE DAMPER.  
WHITE LIGHT WIRES ARE MARKED WITH BLUE AND YELLOW TAPE.



HL= HIGH LIMIT SENSOR  
P = PRIMARY TEMP SENSOR  
S1 = DAMPER POSITION INDICATION SWITCH, CLOSED WHEN DAMPER IS CLOSED.  
S2 = DAMPER POSITION INDICATION SWITCH, CLOSED WHEN DAMPER IS OPEN

NOTE:  
THE SWITCH WIRES WRAPPED WITH A BLUE TAPE MARKER INDICATE THE CLOSED POSITION OF THE DAMPER.  
WHITE LIGHT WIRES ARE MARKED WITH BLUE AND YELLOW TAPE.

