

### Application

Model HB-330 is a heavy duty backdraft damper with a double flanged galvanized steel channel frame and double thickness fabricated airfoil blades. It is designed to prevent backflow and to provide shutoff in HVAC or industrial process systems. External heavy duty linkage, blade counterbalance, and ball bearings are standard.

### Ratings

#### Velocity

Up to 6400 fpm (32.5 m/s)

#### Pressure

Up to 20 in. wg (5 kPa) - differential pressure

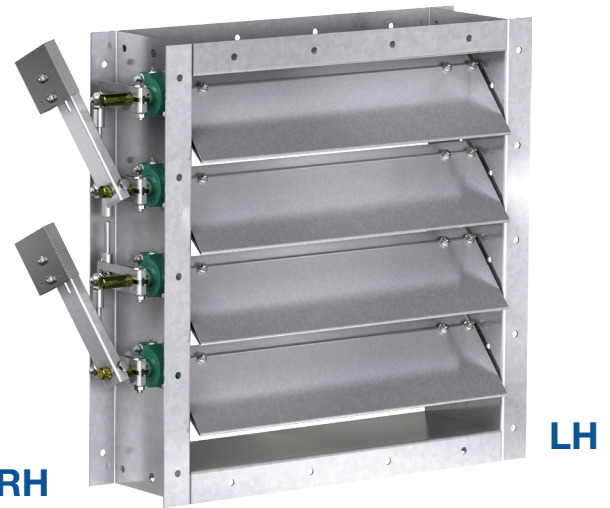
#### Temperature

-40° to 250°F (-40° to 121°C)

Consult factory for temperatures above 250°F (121°C)

### Construction

	Standard	Optional
<b>Frame Depth</b>	8 in. (203 mm)	8 in - 12 in. (203 mm - 305 mm)
<b>Frame Material</b>	Galvanized steel	Painted steel, 304SS, 316SS
<b>Frame Type</b>	Flanged channel	
<b>Frame Thickness</b>	12 ga. (2.7 mm)	10 ga. (3.5mm)
<b>Flange Width (D)</b>	2 in. (51 mm)	1½ in. (38 mm)
<b>Blade Material</b>	Galvanized steel	Painted steel, 304SS, 316SS
<b>Blade Seals</b>	Silicone	EPDM, None
<b>Blade Thickness</b>	16 ga. (1.5mm)	
<b>Blade Type</b>	Fabricated Airfoil	
<b>Linkage</b>	External heavy duty type with steel clevis arms and plated threaded rod with plated tie rod and bearings	304SS, 316SS
<b>Axle Diameter</b>	¼ in. (19mm) square	
<b>Axle Bearing</b>	External ball	
<b>Axle Material</b>	Plated steel	303SS or 316SS
<b>Airflow</b>	Horizontal, Vertical Up, Vertical Down, Anugular Up, Angular Down	
<b>Paint Finishes</b>	Mill finish	Hi Pro Polyester, Industrial Epoxy
<b>Mounting Holes</b>	None	Standard, Standard with corner holes

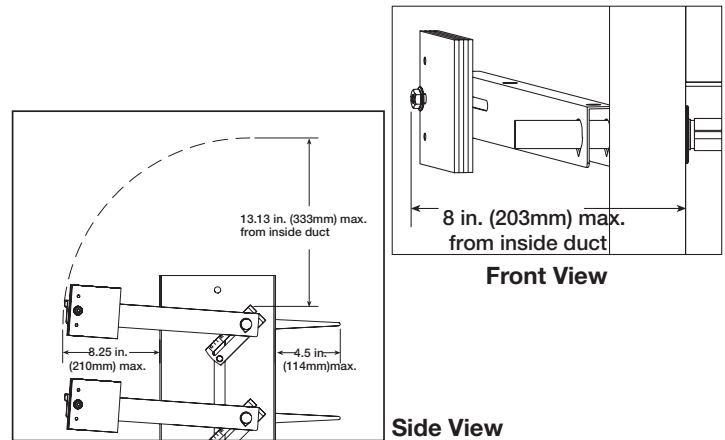


\* Actual inside dimension.

\*\*\* RH counterbalance is standard.

\*\*\*\* Counterbalance weights extend beyond inlet flange in the open position.

### Counterbalance Weight Dimensions



Advise air flow direction & counterbalance weight location when ordering

### Size Limitations

W x H	Minimum Size	Maximum Size	
		Single Section	Multi - Section
Inches	6 x 6	60 x 96	120 x 96
mm	152 x 152	1524 x 2438	3048 x 2438

# Performance Data

## Pressure Limitations

The chart at the right shows conservative pressure limitations based on a maximum blade deflection of  $w/360$ .

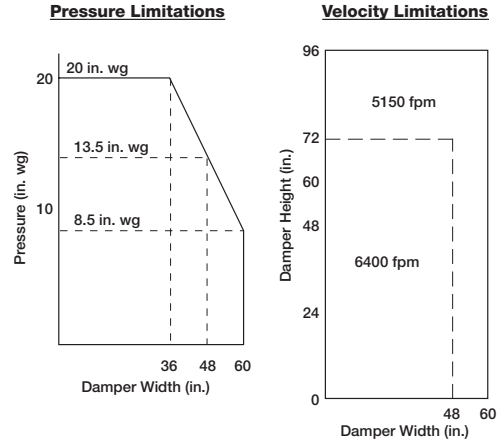
## Temperature Limitations

**Blade seals:** -40° to 250°F (-40° to 121°C)

**For higher temperatures, consult factory.**

## Velocity Limitations

The chart at far right shows velocity limitations based on damper size.



## Pressure Drop Data

This pressure drop data was conducted in accordance with AMCA Standard 500-D using the three configurations shown. All data has been corrected to represent standard air at a density of .075 lb/ft<sup>3</sup> (1.2 kg/m<sup>3</sup>).

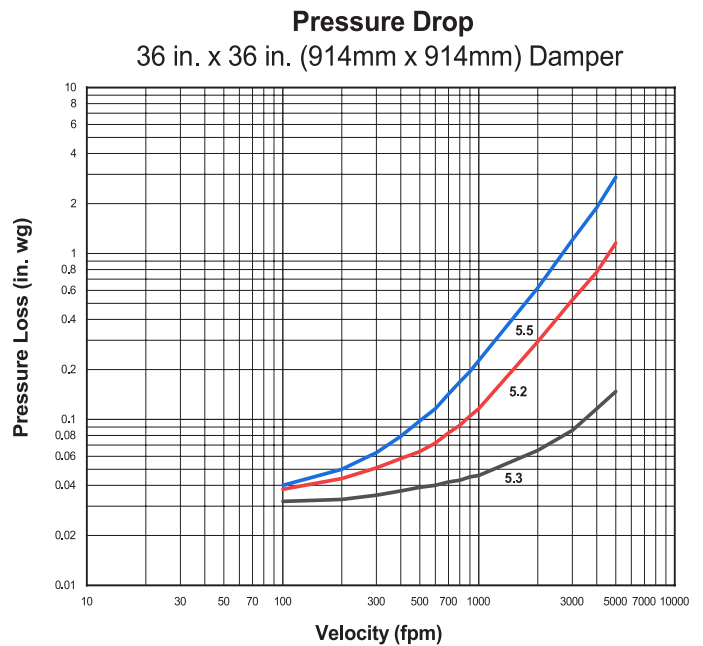
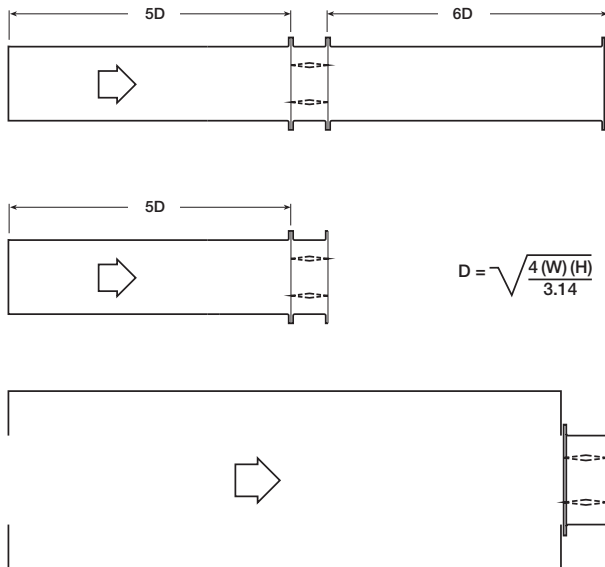
Actual pressure drop found in any HVAC system is a combination of many factors. This pressure drop information along with an analysis of other system influences should be used to estimate actual pressure losses for a damper installed in a given HVAC system.

## AMCA Test Figures

**Figure 5.3** illustrates a fully ducted damper. This configuration has the lowest pressure drop of the three test configurations because the entrance and exit losses are minimized by straight duct runs upstream and downstream of the damper.

**Figure 5.2** illustrates a ducted damper exhausting air into an open area. This configuration has a lower pressure drop than Figure 5.5 because the entrance losses are minimized by a straight duct run upstream of the damper.

**Figure 5.5** illustrates a plenum mounted damper. This configuration has the highest pressure drop because of the high entrance and exit losses due to the sudden changes of area in the system.

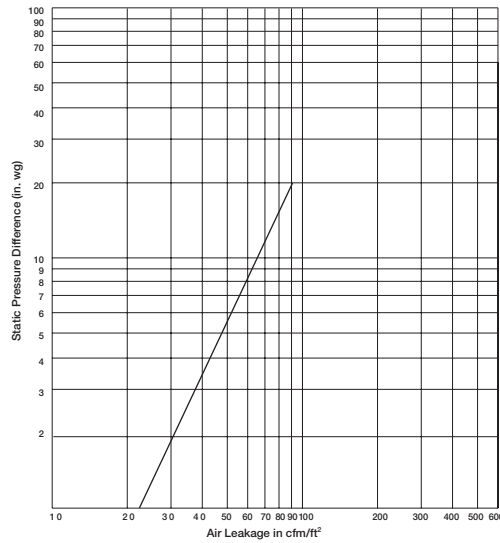


## Leakage Data

Leakage testing was conducted in accordance with AMCA Standard 500-D and is expressed as CFM per sq. ft. of damper face area. All data has been corrected to represent standard air at a density of 0.075 lb/ft<sup>3</sup> (1.2 kg/m<sup>3</sup>).

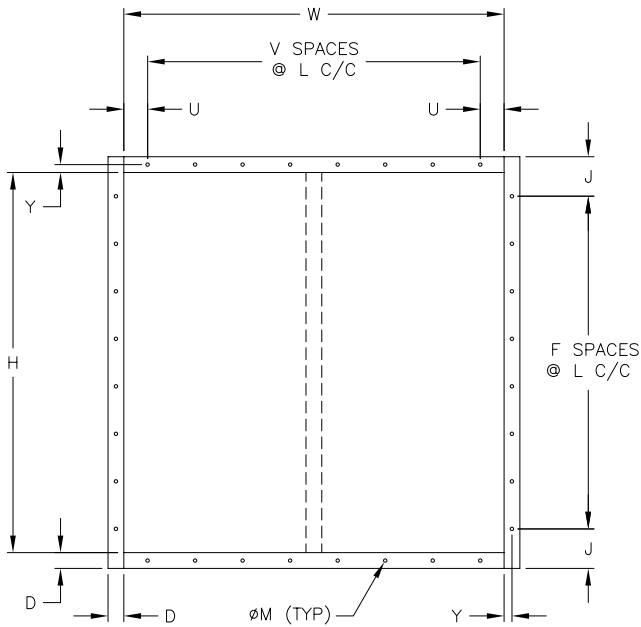
### Leakage

36 in. x 36 in. (914mm x 914mm) Damper

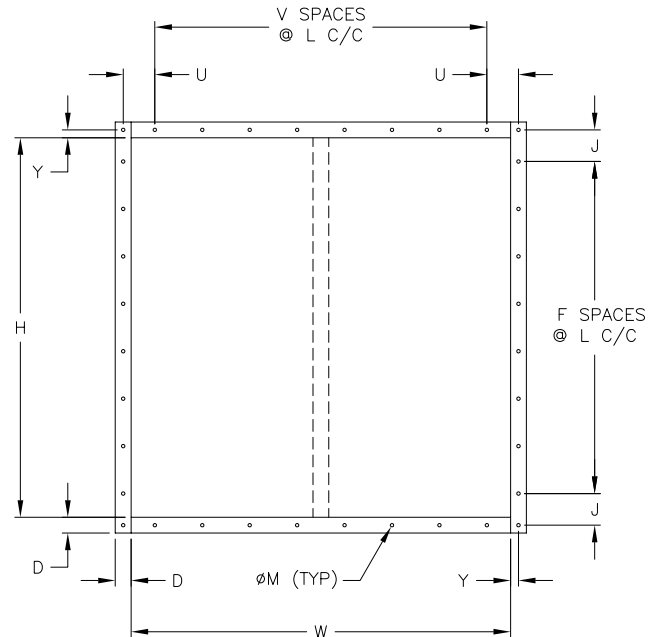


## Mounting Holes

Bolt holes are available as an option. The standard pattern is  $\frac{7}{16}$  in. (11mm) diameter holes (M dimension) spaced 6 in. (152mm) on center (L dimension). Custom bolt hole patterns are available. Contact factory for the limitations.



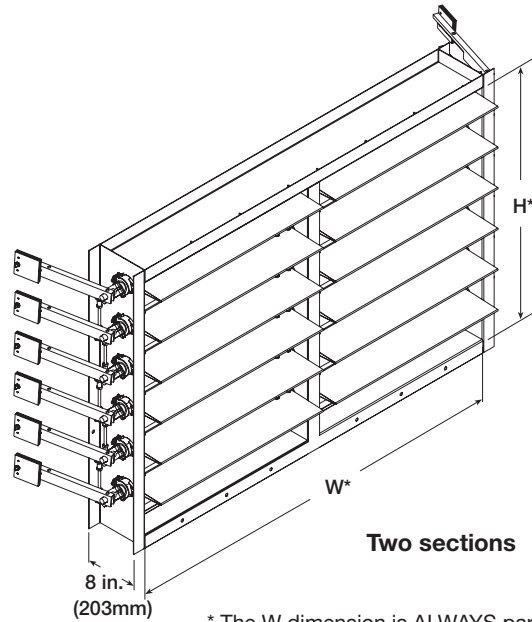
Standard Mounting Hole Pattern  
Typical for single or double wide panel



Standard Mounting Hole Pattern with Corner Holes  
Typical for single or double wide panel

## Multiple Section Assembly

Damper sizes larger than 60 in. x 96 in. (1524mm x 2438mm) and less than 120 in. x 96 in. (3048mm x 2438mm) will be supplied in one frame with two sets of blades separated by a mullion as shown below. Counterbalance weights supplied on right hand and left hand side. For sizes larger than 120 in. x 96 in. (3048mm x 2438mm), consult factory.



\* The W dimension is ALWAYS parallel with the damper blade length.

## Document Links



[INSTALLATION](#)



[CATALOG](#)



[HEAVY DUTY  
SELECTION GUIDE](#)



[SELECTION GUIDE](#)



[SPECIFICATIONS](#)



[WARRANTY](#)