

### Application

Model HCD-130 is a heavy duty industrial control damper with a flanged frame. It is designed to control airflow and provide shut off in HVAC or industrial process control systems. A variety of optional features makes model HCD-130 extremely versatile, allowing its capabilities to be tailored to the application. This model is available with parallel or opposed blade action.

### Ratings (see page 2 and 3 for specific limitations)

#### Velocity

Up to 4000 fpm (20.3 m/s)

#### Pressure

Up to 8.5 in. wg (2.1 kPa) - differential pressure

#### Temperature

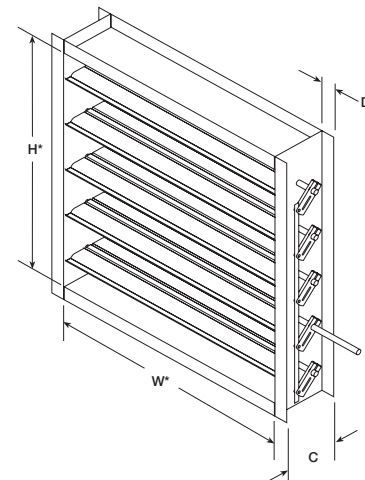
-40° to 400°F (-40° to 204°C). Temperatures over 250°F (121°C) require special blade end clearance. For higher temperatures, consult factory



Optional actuator shown.

### Construction

	Standard	Optional
<b>Frame Depth (C)</b>	8 in. (203 mm)	10 in. (254 mm)
<b>Frame Material</b>	Galvanized steel	304SS, 316SS
<b>Frame Type</b>	Flanged channel	-
<b>Frame Thickness</b>	14 ga. (2 mm) less than or equal to 48 in. (1219 mm) wide; 12 ga. (2.7 mm) if greater than 48 in. (1219 mm) wide	10 ga. (3.5 mm), 12 ga. (2.7 mm)
<b>Flange Width (D)</b>	2 in. (51 mm)	1½ in. (38 mm), 2½ in. (64 mm), 3 in. (76 mm)
<b>Blade Action</b>	Parallel	Opposed
<b>Blade Material</b>	Galvanized steel	304SS, 316SS
<b>Blade Seals</b>	None	EPDM, Silicone
<b>Blade Thickness</b>	20 ga. (1 mm) double skin	-
<b>Blade Type</b>	Fabricated airfoil	-
<b>Linkage</b>	Plated steel	304SS, 316SS
<b>Jamb Seals</b>	None	301SS, 316SS
<b>Axle Diameter</b>	½ in. (12.7 mm)	-
<b>Axle Bearing</b>	Stainless steel sleeve	-
<b>Axle Material</b>	Plated steel	316SS
<b>Axle Seals</b>	None	-
<b>Paint Finishes</b>	None	Hi Pro Polyester, Hi Temp. Silver, Industrial Epoxy
<b>Mounting Holes</b>	None	Standard, Standard with corner holes



\* Actual Inside Dimension. The W dimension is ALWAYS parallel with the damper blade length.

Damper linkage and axles may extend beyond the damper flange based on the configuration of selectable options. Consult factory for dimensions.

### Size Limitations

W x H	Minimum Size	Maximum Size	
		Single Section	Multi - Section
<b>Inches</b>	6½ x 5	60 x 96	120 x 96
<b>mm</b>	165 x 127	1524 x 2438	3048 x 2438

### Options:

- Wide range of actuators available
- Vertical Blade Orientation

# Limitations

## Pressure Limitations

The chart at the right shows conservative pressure limitations based on a maximum blade deflection of  $w/360$ .

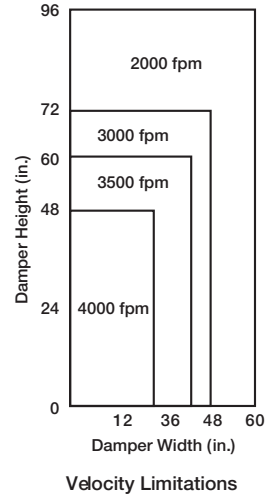
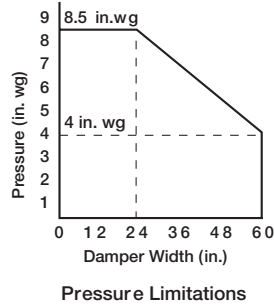
## Temperature Limitations

- Blade seals:** Silicone -40° to 400°F (-40° to 204°C)  
EPDM -20° to 250°F (-29° to 121°C)
- Jamb seals:** Flexible stainless steel -40° to 400°F (-40° to 204°C)

For higher temperatures, consult factory.

## Velocity Limitations

The chart at far right shows velocity limitations based on damper size.



## Pressure Drop Data

This pressure drop data was conducted in accordance with AMCA Standard 500-D using the three configurations shown. All data has been corrected to represent standard air at a density of .075 lb/ft<sup>3</sup> (1.2 kg/m<sup>3</sup>).

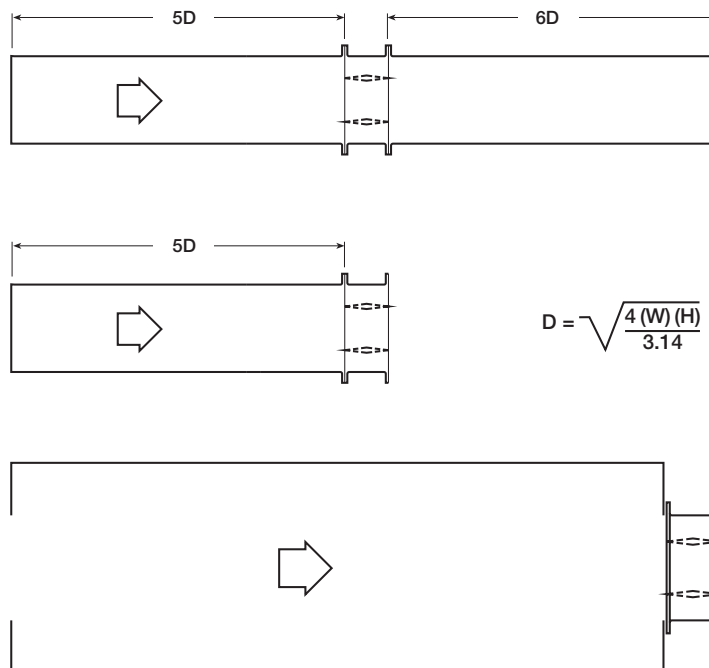
Actual pressure drop found in any HVAC system is a combination of many factors. This pressure drop information along with an analysis of other system influences should be used to estimate actual pressure losses for a damper installed in a given HVAC system.

## AMCA Test Figures

**Figure 5.3** illustrates a fully ducted damper. This configuration has the lowest pressure drop of the three test configurations because the entrance and exit losses are minimized by straight duct runs upstream and downstream of the damper.

**Figure 5.2** illustrates a ducted damper exhausting air into an open area. This configuration has a lower pressure drop than Figure 5.5 because the entrance losses are minimized by a straight duct run upstream of the damper.

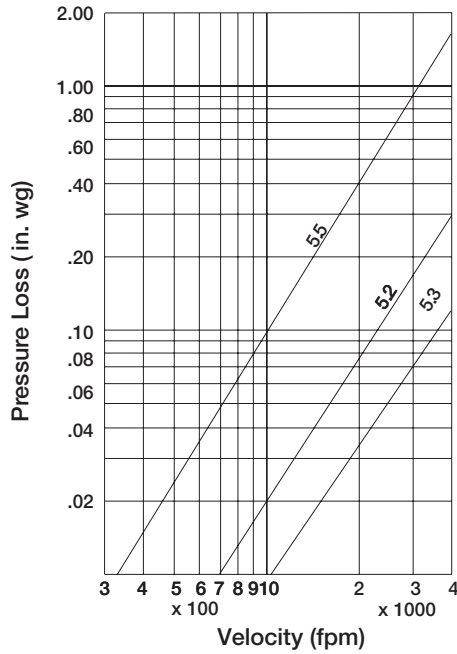
**Figure 5.5** illustrates a plenum mounted damper. This configuration has the highest pressure drop because of the high entrance and exit losses due to the sudden changes of area in the system.



# Pressure Drop and Leakage Data

## Pressure Drop

36 x 36 in. Damper  
(914mm x 914mm)

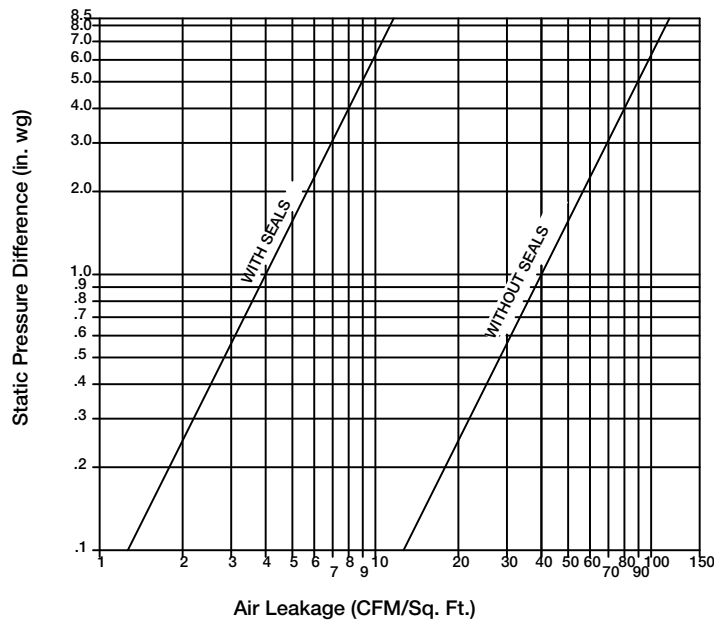


## Leakage Data

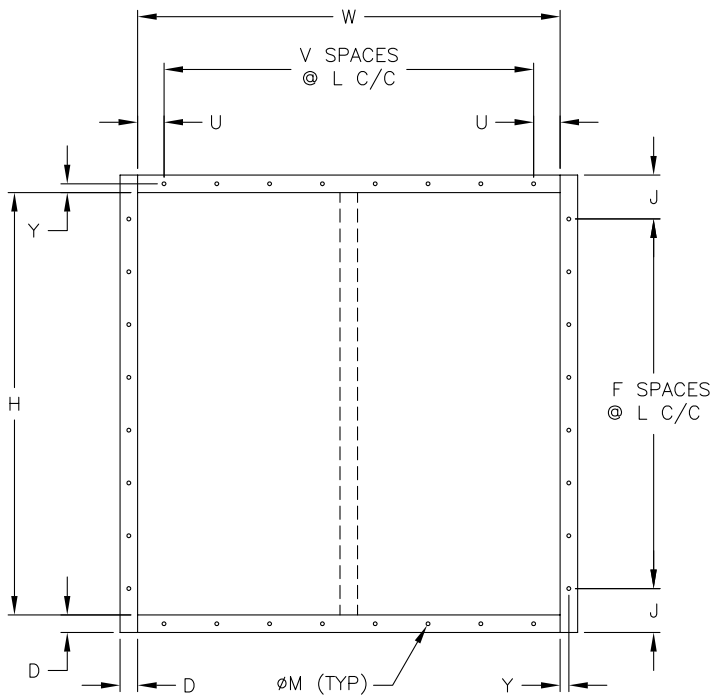
Damper leakage (with blades fully closed) varies based on the type of low leakage seals applied. Model HCD-130 is available with no jamb seals (standard) or with stainless steel jamb seals and EPDM, or silicone rubber blade seals. Leakage testing was conducted in accordance with AMCA Standard 500-D and is expressed as CFM per sq. ft. of damper face area. All data has been corrected to represent standard air at a density of .075 lb/ft<sup>3</sup> (1.2 kg/m<sup>3</sup>).

## Leakage

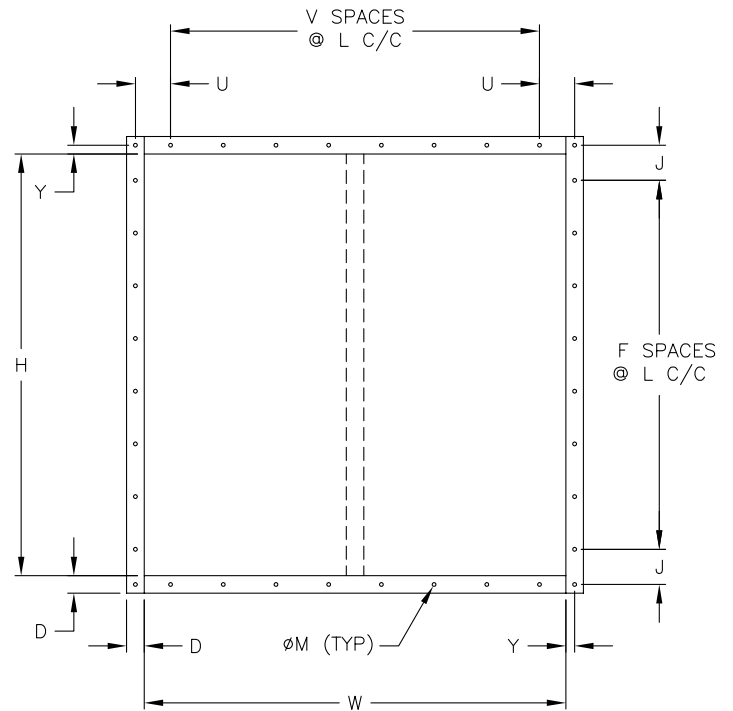
36 x 36 in. (914mm x 914mm) Damper  
(based on 5 in. lb/ft<sup>2</sup> of torque)



Bolt holes are available as an option. The standard pattern is  $\frac{7}{16}$  in. (11mm) diameter holes (M dimension) spaced 6 in. (152mm) on center (L dimension). Custom bolt hole patterns are available. Contact factory for the limitations.



Standard Mounting Hole Pattern  
Typical for single or double wide panel



Standard Mounting Hole Pattern with Corner Holes  
Typical for single or double wide panel

## Document Links



[INSTALLATION](#)



[CATALOG](#)



[HD PRODUCT GUIDE](#)



[SELECTION GUIDE](#)



[WARRANTY](#)