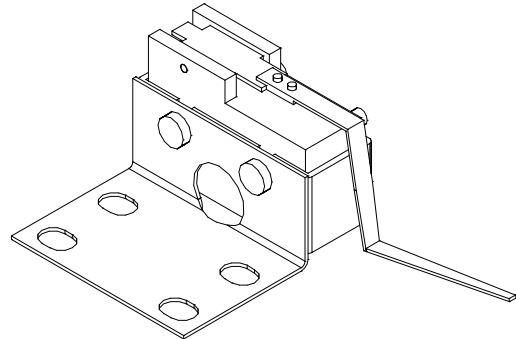
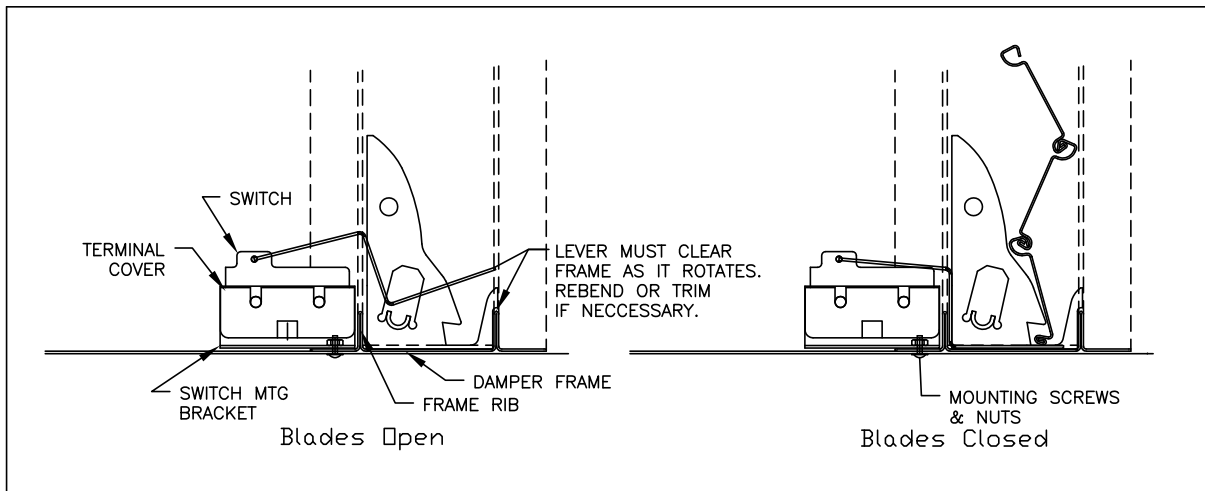


The closed indicator switch is a high sensitivity hinge lever used on curtain fire dampers. When the damper blades close, the closed indicator switch sends a signal that the damper is closed.

Rated Current	15A
Switch Type	Single pole, double throw type
Operating Temperature	-13°F to 176°F (-25°C to 80°C)

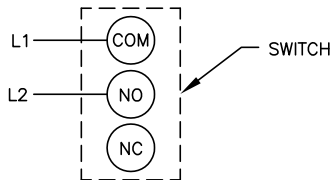


See complete marking on product.
UL 508 Classification E41515

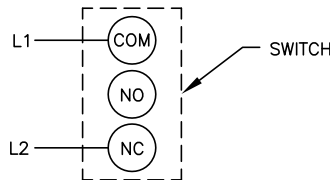


WIRING DIAGRAMS

SYSTEMS REQUIRING INDICATION WHEN DAMPER IS CLOSED



SYSTEMS REQUIRING INDICATION WHEN DAMPER IS OPEN



SYSTEMS REQUIRING INDICATION OF BOTH POSITIONS

