

Application

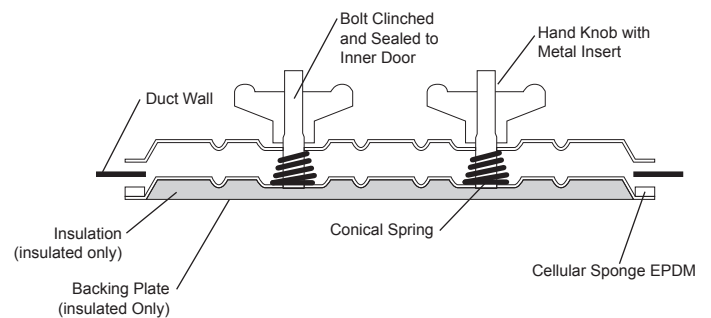
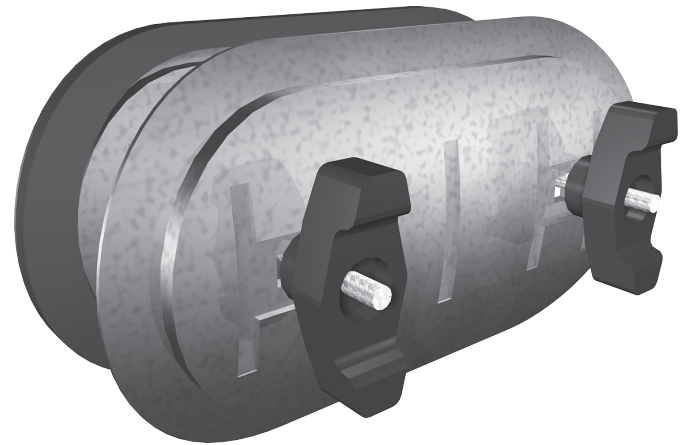
Greenheck round duct access doors provide a durable, practical and inexpensive means of gaining access to components inside the ductwork. Round Duct access door provides a solid leakage proof door that is simple to install. This access door has been tested to 20 in. wg and negative 10 in. wg with no leakage noted.

Construction

	Standard
Panels	Round duct access door consist of three layers of precision, stamped, hot-dipped galvanized steel. Standard access door is non-insulated. Insulated door is optional.
Gasket	Cellular sponge EPDM. The gasket is permanently bonded to the inside of the door to eliminate leakage.
Springs	Conical springs between the two plates provided for easy installation.
Knobs	High impact plastic knobs are designed to avoid stripping and allow a tool-free operation.

Installation

Easy installation. Template is provided for the exact size duct opening required.



Door Size in. (mm)	Duct Sizes in. (mm)
8.625 x 4.188 (219 x 106)	6 - 7 (152 x 178)
8.625 x 4.25 (219 x 108)	8 - 9 (203 - 229)
8.625 x 4.313 (219 x 110)	10 (254)
8.625 x 4.375 (219 x 111)	12-14 (305-356)
13 x 8.375 (330 x 213)	16 (406)
13 x 8.5 (330 x 216)	18 (457)
12 x 8 (305 x 203)	19 - 22 (483 - 559)
16 x 12 (406 x 305)	23-24 (584 - 610)

Document Links

[Damper Warranty](#)
[Damper Product Selection Guide](#)

[Specifications](#)
