

## Application

Model RBD-15 is a remote balancing damper designed to regulate the flow of air in a HVAC system. They are not intended to be used in applications as a positive shut off or for automatic control. The design incorporates heavy gauge galvanized steel construction for durability and longevity.

## Ratings

### Pressure

Up to 4 in. wg (1 kPa) - pressure differential

### Velocity

Operational rated up to 2000 fpm (10.2 m/s)

### Temperature

Maximum: 250°F (121°C) with all actuators

### Pressure

Maximum; 6 in. wg (1.5 kPa)

## Construction

	Standard	Optional
<b>Frame Material</b>	Galvanized Steel	-
<b>Frame Thickness</b>	16 ga. (1.5mm)	-
<b>Frame Type</b>	5 in. x 1 in. (127mm x 25mm) Channel	-
<b>Blade Material</b>	Galvanized steel	-
<b>Blade Thickness</b>	16 ga. (1.5mm)	-
<b>Blade Type</b>	3V	-
<b>Blade Operation</b>	Opposed	Parallel
<b>Axles</b>	Integral ½ in. (13mm) dia.	-
<b>Axle Bearings</b>	Synthetic (acetal) sleeve	-
<b>Linkage Material</b>	Plated Steel	-
<b>Operator</b>	9 volt actuator (shipped as a kit for field installation)	-

## Size Limitations

W x H	Minimum Size*	Maximum Size
		Single Section
<b>Inches</b>	6 x 6	4 sq. ft.**
<b>mm</b>	152 x 152	.372 sq. meters
* Note: If the height is less than 9 in. (229mm) or less, the damper will have one blade.		
** Width and Height limited to 48 in. (1219mm).		



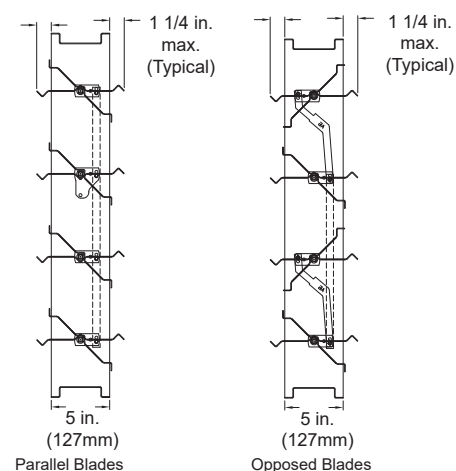
\*W & H dimension furnished approximately ¼ in. (6mm) undersize.  
 Actuator kit is shipped loose for field assembly.

## Features

- Linkage concealed in jamb

## Options

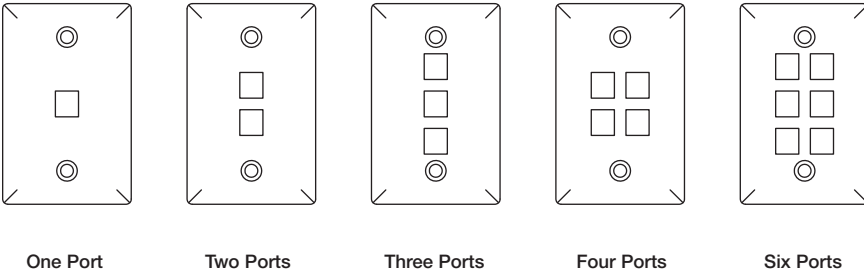
- Clean wrap



## Accessories

- Diffuser connectors
- Single gang wall plates with ports (1,2, 3, 4 or 6 port)
  - Colors: white, or stainless steel
- Round wall/ceiling mounting plate with one port
- Single gang outlet box
- ‘EZ Balance’ remote control device (9 volt battery and 5 foot (1524mm) of cable included)
- 5, 14, 25 or 50 foot (1524, 4267, 7620 or 15,240mm) plenum rated cable
- Cable connectors

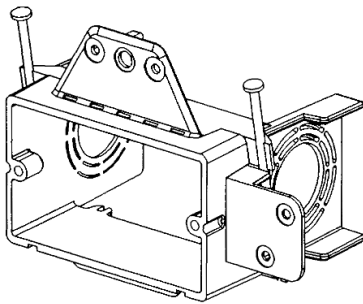
### Wall plates with ports



White wall plate dimension is 3¼ in. x 4¾ in. (83mm x 121mm).

Stainless steel wall plate dimension is 2¾ in. x 4½ in. (70mm x 114mm).

### Single gang box

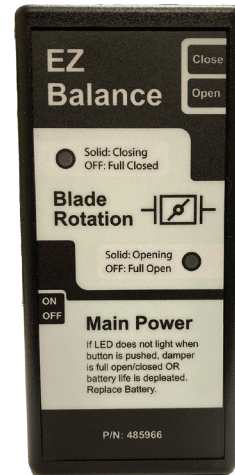


### Round wall/ceiling plate



3¼ in. (83mm) diameter

### EZ Balance remote



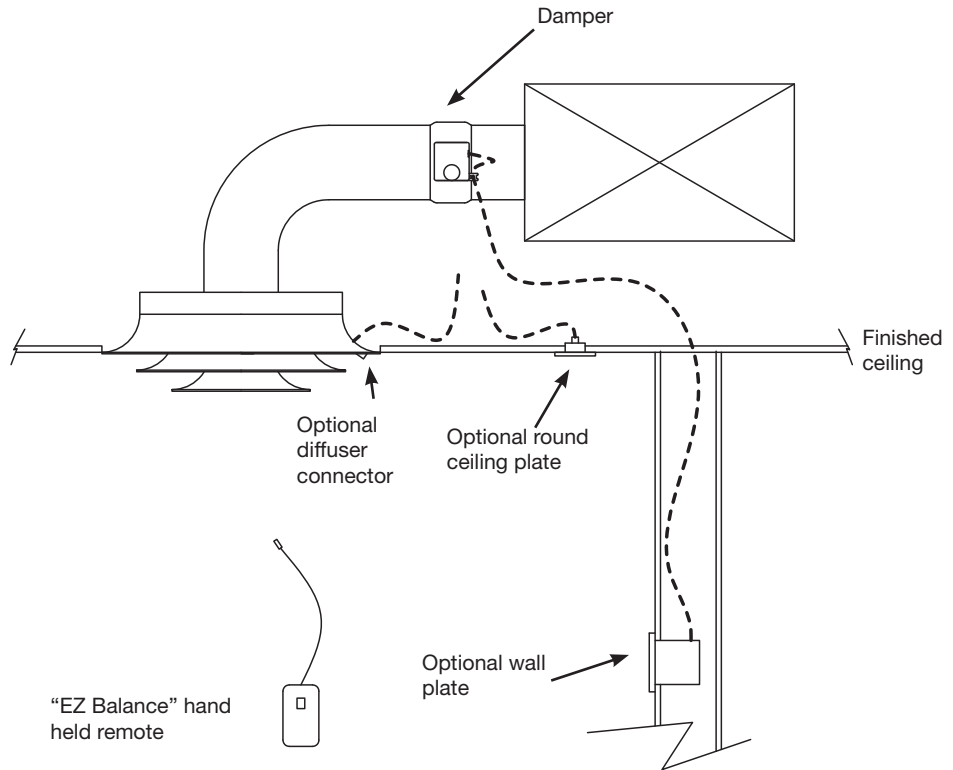
## Performance Data

Maximum recommended system pressure and velocity ratings are conservative to prevent misapplication. Dampers are structurally capable of withstanding higher limits, however it is recommended that Greenheck be contacted for an engineering evaluation before exceeding these limits.

Temperature: Applications above 180°F (82°C) may require special considerations.

Damper Width in. (mm)	Maximum System Pressure in. wg (kPa)	Maximum System Velocity fpm (m/s)
48 (1219)	2 (.5)	2000 (10.2)
36 (914)	2.5 (.63)	
24 (610)	3 (.75)	
12 (305)	4 (1)	

**Note:**  
All wire connections are made with prewired RJ11 plugs and sockets. No additional wiring or tools required.



**Note:** Utilizing any controller other than 'EZ Balance' remote to adjust the RBD-15 damper voids the actuator warranty.

## Document Links



[INSTALLATION](#)



[CATALOG](#)



[SPECIFICATIONS](#)



[SELECTION GUIDE](#)



[RBD ACCESSORIES](#)



[WARRANTY](#)

