

Application

Model SSDFD-150 is a dynamic rated fire damper approved for use in walls and partitions with fire resistance ratings less than 3 hours. This model carries a 1½ hour UL fire damper label. UL 555 classifies dynamic rated fire dampers for use in HVAC systems that are operational in the event of fire.

Ratings

UL 555 Fire Resistance

Fire Rating: 1½ hours

Velocity

2000 fpm (10.2 m/s) vertical mount

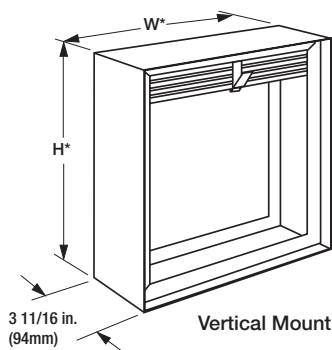
Pressure

Maximum: 4 in. wg (1 kPa)

Construction

Construction	Standard	Optional
Frame Depth	3 11/16 in. (94mm)	-
Frame Material	304SS*	-
Blade Material	304SS*	-
Closure Spring	Stainless steel	-
Fusible Link	165°F (74°C)	212°F or 286°F (100°C or 141°C)
Mounting	Vertical	-

* in gauges required by UL listing R13317



* These dimensions are furnished approximately ¼ in. (6mm) undersize.



See complete marking on product.

UL 555 Classification R13317

Model SSDFD-150 meets the requirements for fire dampers established by:

National Fire Protection Association
(NFPA Standards 80, 90A & 101)

Underwriters Laboratories Standard 555
(Listing #R13317)

IBC International Building Codes

California State Fire Marshall

(Listing #3225-981:102)

Options

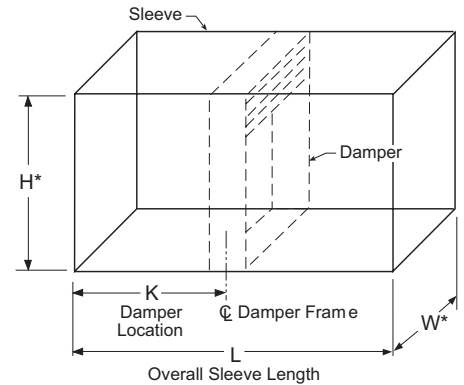
- Sealed transitions (sleeve required) and sleeves
- [One piece retaining angles \(POC\)](#)
- Transitions (B, C, CO, CR, R)
- Flanges

Factory Sleeve Option

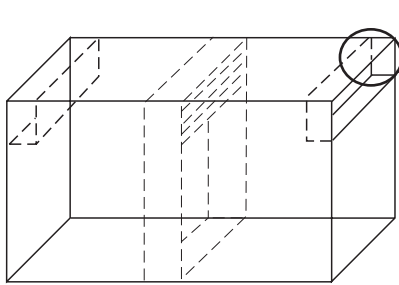
SSDFD-150 Fire Dampers are available in factory furnished sleeves. Sleeves are 304SS and are available in 10 thru 20 ga. (1mm- 3.5mm) thicknesses and lengths up to 36 in. (914mm).

“K” dimension specifies location of damper within the sleeve. Minimum is 4 in. (102mm), maximum is “L” less 4 in. (102mm), which allows for mounting angle installation and duct connection at each end of the sleeve. If “K” dimension is not specified, the damper will be centered in the sleeve.

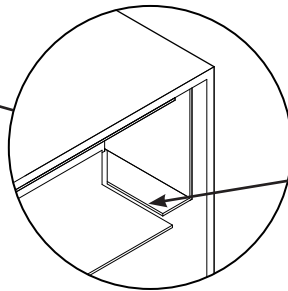
Note: If using access doors, the door should be installed on the “K” side of the damper.



Sealed Sleeves and Transitions Option



Type B with sleeve



Type B corner profile

When sealed option is selected, B transitions will need to be field sealed in the area where duct to sleeve connection is made.

Document Links



[INSTALLATION](#)



[CATALOG](#)



[SELECTION GUIDE](#)



[ALTERNATE INSTALLATIONS](#)



[SPECIFICATIONS](#)



[WARRANTY](#)

Type A, B, & B2

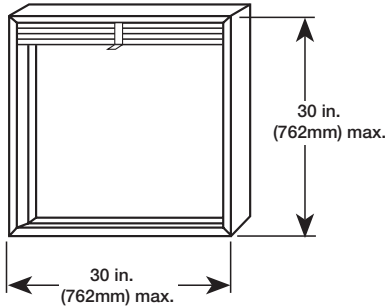
The following chart shows minimum and maximum damper sizes. Dimensions are in inches (mm in parentheses).

Size Limitations

Inches (mm)	Single Section	
	Minimum	Maximum
Type A	4 x 4 (102 x 102)	30 x 30 (762 x 762)
Type B2	4 x 3 (102 x 76)	30 x 26 (762 x 660)

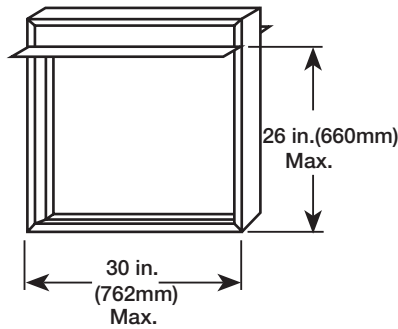
Type A

Maximum Single Section Dimensions

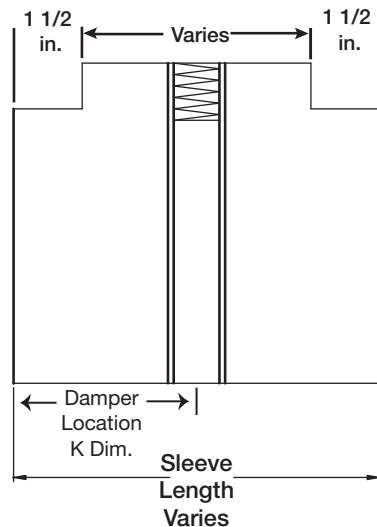


Type B

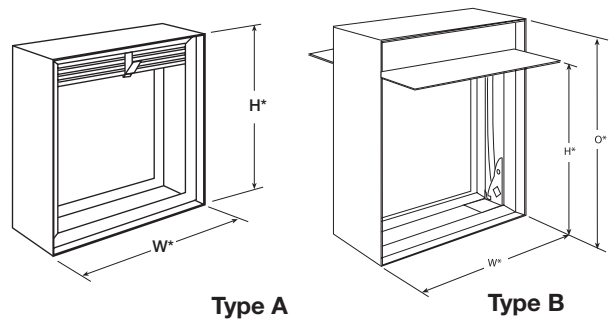
Maximum Single Section Dimensions



Type B2 side view

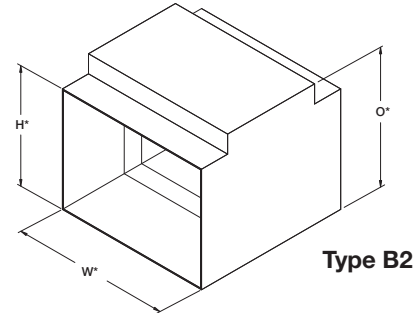


Overall Damper Dimensions



Type A

Type B



Type B2

H*	O*
3 (76)	5 (127)
4 (102)	6 (152)
5 (127)	7 (178)
6 (152)	8 (203)
7 (178)	9 (229)
8 (203)	10 (254)
9 (229)	11 (279)
10 (254)	12 (305)
11 (279)	13 (330)
12 (305)	14 (356)
13 (330)	15 (381)
14 (356)	16 (406)
15 (381)	18 (457)
16 (406)	19 (483)
17 (432)	20 (508)
18 (457)	21 (533)
19 (483)	22 (559)
20 (508)	23 (584)
21 (533)	24 (610)
22 (559)	26 (660)
23 (584)	27 (686)
24 (610)	28 (711)
25 (635)	29 (737)
26 (660)	30 (762)

* These dimensions are furnished approximately 1/4 in. (6mm) undersize.

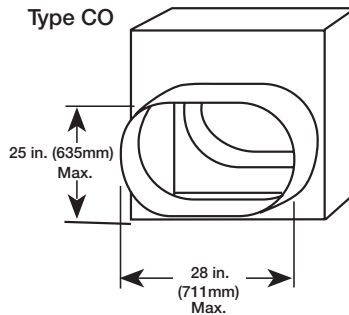
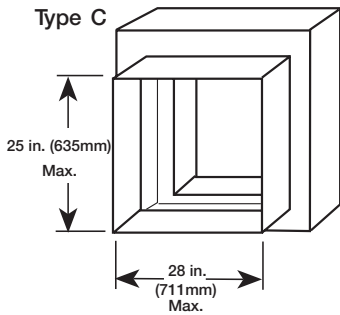
The following chart show minimum and maximum damper size. Dimensions are in inches (mm in parentheses).

Size Limitations

Inches (mm)	Single Section	
	Minimum	Maximum
Type CR	3 (76)	25 (635)
Type C & CO	3 x 3 (76 x 76)	28 x 25 (711 x 635)
Type R*	3 (76)	28 (711)

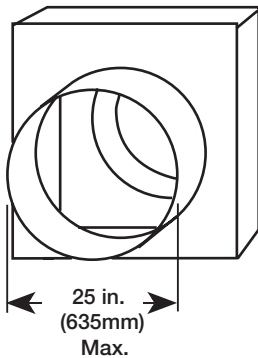
* With 2 in. (50mm) offset. Sizes adjust with 0 offset & 1 in. (25mm) offset.

Maximum Single Section Dimensions

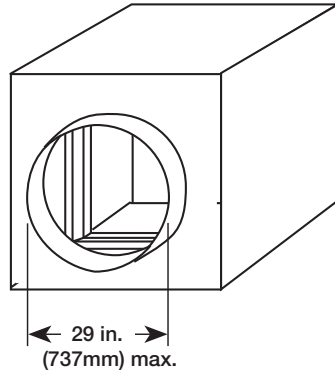


C, CO, CR transitions are positioned 1 in.(25mm) from bottom of sleeve.

Type CR

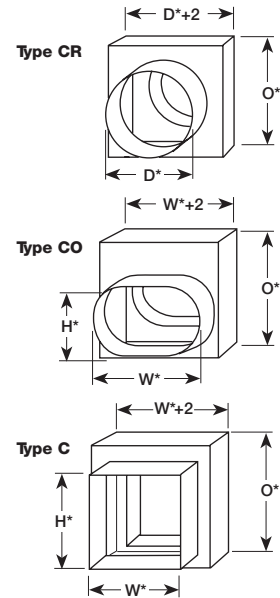


Type R



Type R transition is centered on damper frame. Dimensions are with 2 in. (50mm) offset.

Overall Damper Dimensions



H* or D*	O*
3 (76)	6 (152)
4 (102)	7 (178)
5 (127)	8 (203)
6 (152)	9 (229)
7 (178)	10 (254)
8 (203)	11 (279)
9 (229)	12 (305)
10 (254)	13 (330)
11 (279)	14 (356)
12 (305)	15 (381)
13 (330)	16 (406)
14 (356)	18 (457)
15 (381)	19 (483)
16 (406)	20 (508)
17 (432)	21 (533)
18 (457)	22 (559)
19 (483)	23 (584)
20 (508)	24 (610)
21 (533)	26 (660)
22 (559)	27 (686)
23 (584)	28 (711)
24 (610)	29 (737)
25 (635)	30 (762)

* Dimensions are in inches (mm). These dimensions are furnished approximately 1/4 in. (6mm) undersize.