

## Application

Model SSFD-350 is a static rated fire damper approved for use in walls and partitions with fire resistance ratings of 3 hours or more. This model carries a 3 hour UL 555 fire damper label and is static rated for use in HVAC systems that are automatically shut down in the event of fire

## Ratings

### UL 555 Fire Resistance Rating

Fire Rating: 3 hours

## Construction

	Standard	Optional
<b>Frame Depth</b>	3 <sup>11</sup> / <sub>16</sub> in. (94mm)	
<b>Frame Material</b>	304SS*	-
<b>Blade Material</b>	304SS*	-
<b>Closure Spring</b>	Stainless steel	-
<b>Fusible Link</b>	165°F (74°C)	212°F (100°C)
<b>Mounting</b>	Vertical	-

\* in gauges required by UL listing R13317



\* These dimensions are furnished approximately 1/4 in. (6mm) undersize.



See complete marking on product.  
 UL 555 Classification R13317

Model SSFD-350 meets the requirements for fire dampers established by:

**National Fire Protection Association**

(NFPA Standards 80, 90A & 101)

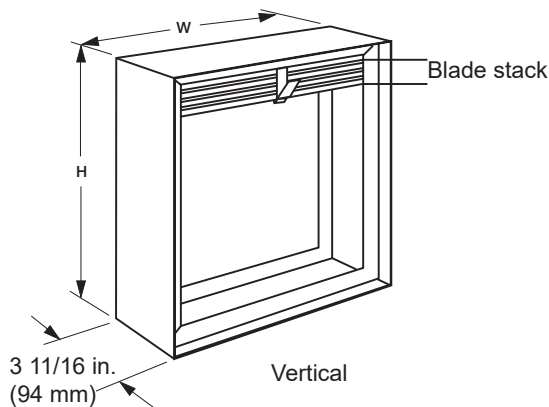
**Underwriters Laboratories Standard 555**

(Listing #R13317)

**IBC International Building Codes**

**California State Fire Marshall**

(Listing #3225-981:102)



## Options

---

- Sealed transitions (sleeve required) and sleeves
- [One piece retaining angles \(POC\)](#)
- Transitions (B, C, CO, CR, R)
- Flanges

## Document Links

---



[INSTALLATION](#)



[CATALOG](#)



[SELECTION GUIDE](#)



[ALTERNATE INSTALLATIONS](#)



[SPECIFICATIONS](#)



[WARRANTY](#)

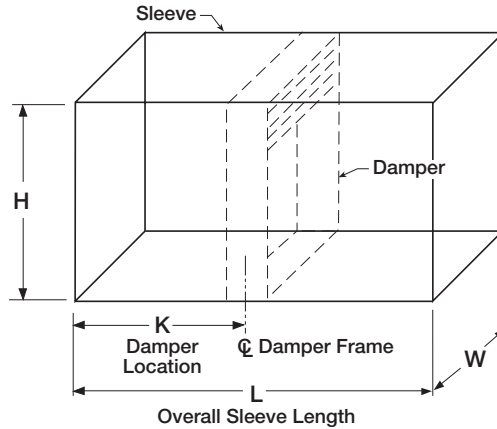
## Factory Sleeve Option

All fire damper installations require the use of sleeves, angles and methods described in the installation instructions. Sleeves can be field fabricated or factory furnished as a completed damper/sleeve assembly.

Sleeves are galvanized steel and are available in 20 through 10 ga. (1mm - 3.5mm) thicknesses and lengths up to 36 in. (914mm).

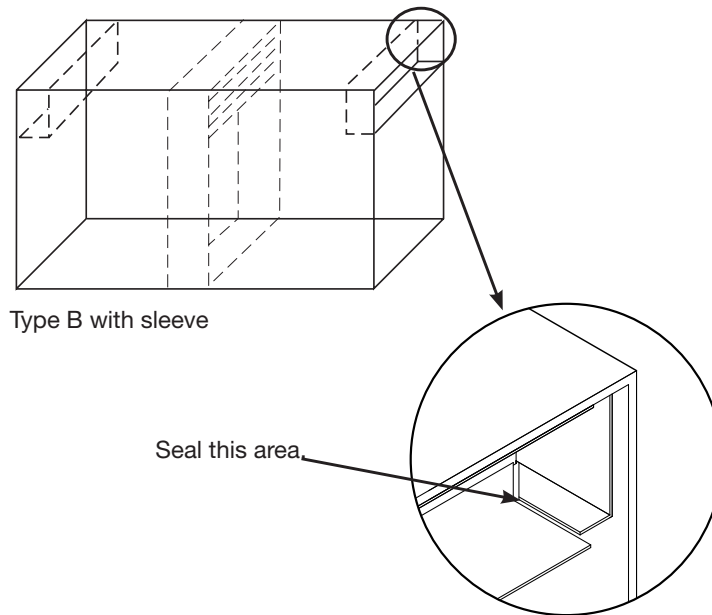
“K” dimension specifies location of damper within the sleeve. Minimum is 4 in. (102mm), maximum is “L” less 4 in. (102mm), which allows for retaining angle installation, and duct connection at each end of the sleeve. If “K” dimension is not specified, it will be provided as one half of “L” dimension (damper centered in sleeve).

**Note: If using access doors, the door should be installed on the “K” side of the damper.**



## Sealed Option

When sealed option is selected, damper sleeve will be sealed to the damper frame or selected transition using UL approved sealant. For B transitions, the corners will need to be field sealed in the area where the duct to sleeve connection is made.

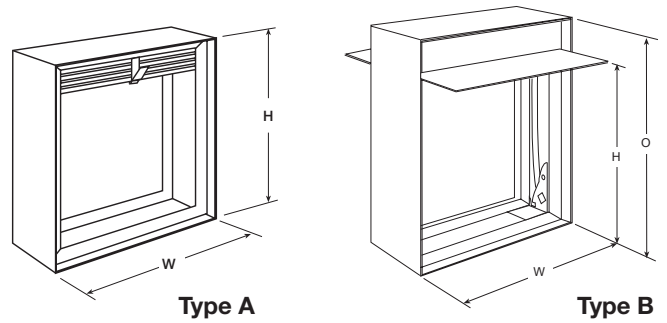


# Type A, B, & B2

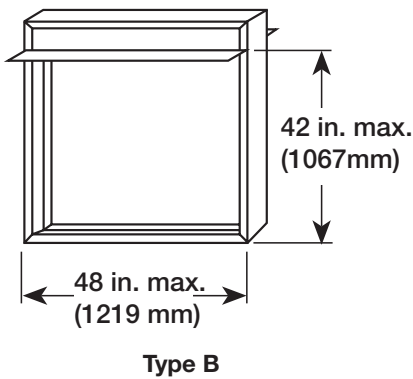
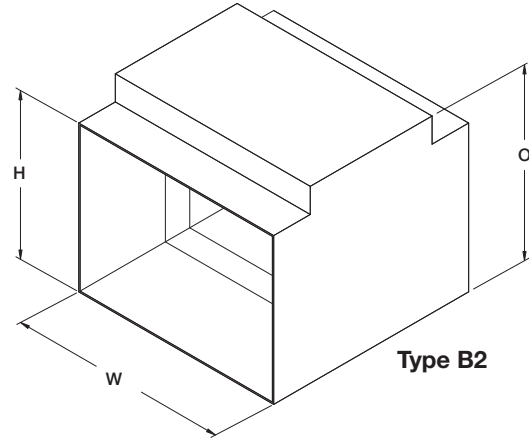
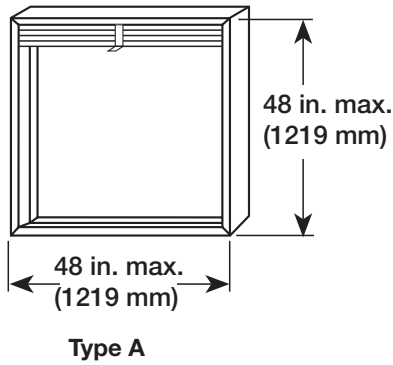
Dampers are supplied as single section only.

## Size Limitations

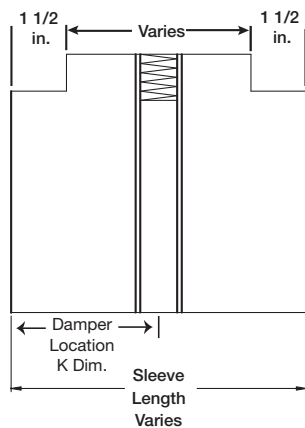
Inches (mm)	Single Section	
	Minimum	Maximum
Type A	4 x 4 (102 x 102)	48 x 48 (1219 x 1067)
Type B & B2	4 x 3 (102 x 76)	48 x 42 (1219 x 1067)



## Maximum Single Section Dimensions



## Type B2 side view



H*	O*	H*	O*
3 (76)	5 (127)	23 (584)	27 (686)
4 (102)	6 (152)	24 (610)	28 (711)
5 (127)	7 (178)	25 (635)	29 (737)
6 (152)	8 (203)	26 (660)	30 (762)
7 (178)	9 (229)	27 (686)	31 (787)
8 (203)	10 (254)	28 (711)	32 (813)
9 (229)	11 (279)	29 (737)	33 (838)
10 (254)	12 (305)	30 (762)	34 (864)
11 (279)	13 (330)	31 (787)	36 (914)
12 (305)	14 (356)	32 (813)	37 (940)
13 (330)	15 (381)	33 (838)	38 (965)
14 (356)	16 (406)	34 (864)	39 (991)
15 (381)	18 (457)	35 (889)	40 (1016)
16 (406)	19 (483)	36 (914)	41 (1041)
17 (432)	20 (508)	37 (940)	42 (1067)
18 (457)	21 (533)	38 (965)	44 (1118)
19 (483)	22 (559)	39 (991)	45 (1143)
20 (508)	23 (584)	40 (1016)	46 (1168)
21 (533)	24 (610)	41 (1041)	47 (1194)
22 (559)	26 (660)	42 (1067)	48 (1219)

\* Dimensions are in inches (mm). These dimensions are furnished approximately 1/4 in. (6mm) undersize.

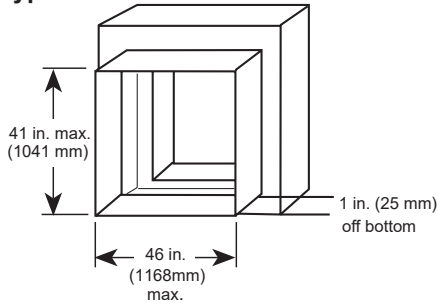
# Type C, CO, & CR

Dampers are supplied as single section only.  
 Dimensions are in inches (mm in parentheses).

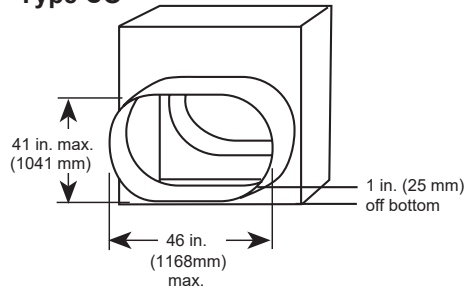
Inches (mm)	Single Section	
	Minimum	Maximum
Type CR	3 (76)	41 (1041)
Type C & CO	3 x 3 (76 x 76)	46 x 41 (1168 x 1041)

## Maximum Single Section Dimensions

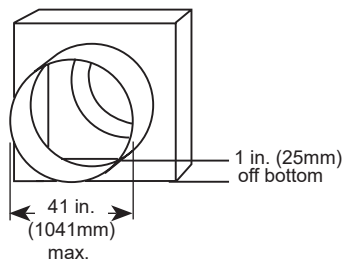
### Type C



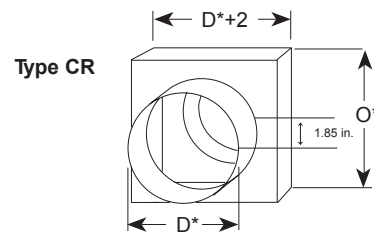
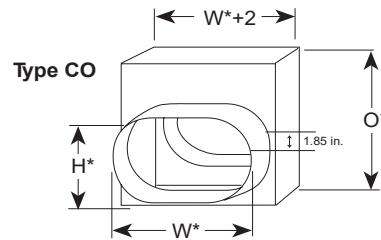
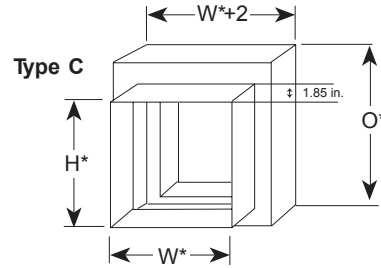
### Type CO



### Type CR



## Overall Damper Dimensions



\*See page 6 for O dimension information.

C, CO, CR transitions are positioned 1 in. (25mm) from bottom of sleeve.

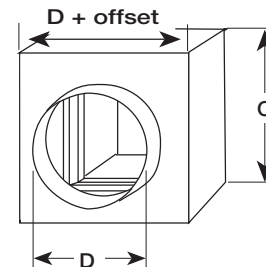
H* or D*	O*	H* or D*	O*
3 (76)	6 (152)	23 (584)	28 (711)
4 (102)	7 (178)	24 (610)	29 (737)
5 (127)	8 (203)	25 (635)	30 (762)
6 (152)	9 (229)	26 (660)	31 (787)
7 (178)	10 (254)	27 (686)	32 (813)
8 (203)	11 (279)	28 (711)	33 (838)
9 (229)	12 (305)	29 (737)	34 (864)
10 (254)	13 (330)	30 (762)	36 (914)
11 (279)	14 (356)	31 (787)	37 (940)
12 (305)	15 (381)	32 (813)	38 (965)
13 (330)	16 (406)	33 (838)	39 (991)
14 (356)	18 (457)	34 (864)	40 (1016)
15 (381)	19 (483)	35 (889)	41 (1041)
16 (406)	20 (508)	36 (914)	42 (1067)
17 (432)	21 (533)	37 (940)	44 (1118)
18 (457)	22 (559)	38 (965)	45 (1143)
19 (483)	23 (584)	39 (991)	46 (1168)
20 (508)	24 (610)	40 (1016)	47 (1194)
21 (533)	26 (660)	41 (1041)	48 (1219)
22 (559)	27 (686)	-	-

\* Dimensions are in inches (mm). These dimensions are furnished approximately ¼ in. (6mm) undersize, except round and oval dimensions (D, H, W) are approximately ⅛ in. (3mm) undersize.

Type R

Inches (mm)	Single Section		
	Minimum	Maximum with 1 in. offset	Maximum with 2 in. offset
Type R*	3 (76)	47 (1194)	46 (1168)

Overall Damper Dimensions



Type R transition is centered in damper sleeve.

To calculate O Dimension:

Diameter + offset (1 or 2 in.) = O Dimension