

Application

Model SSWDR-53 is a round backdraft damper that can be mounted horizontally for vertical up or down airflow. This model can also be mounted vertically for horizontal airflow.

Ratings

Pressure

3 in. wg (0.7 kPa)

Velocity

2000 fpm (10.2 m/s)

Temperature

180°F (82°C)

Start open pressure for a 12 inch SSWDR-53

0.08 in. wg (0.02 kPa)



Damper is approximately 1/8 in. (3mm) undersize.

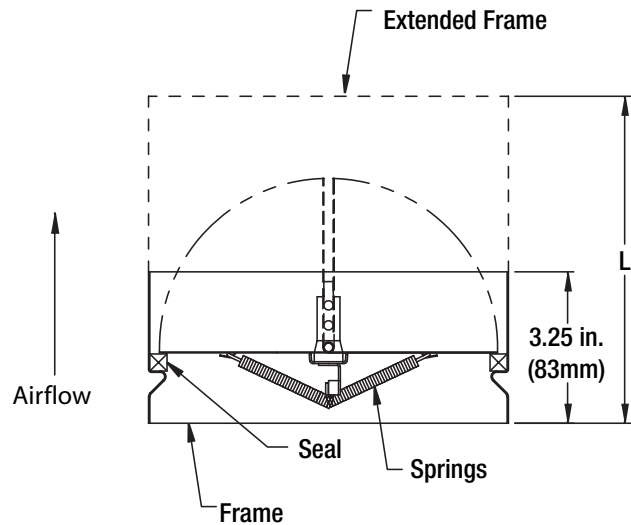
Construction

	Standard	Optional
Frame Material	304 Stainless Steel	-
Frame Thickness	20 ga. (1mm)	-
Frame Type	Standard	Extended Frame
Blade Material	304 Stainless Steel	-
Blade Thickness	24 ga. (0.7mm)	-
Blade Type	Round	-
Blade Seals	Closed cell neoprene/ EPDM/SBR blend	-
Flow Direction	Vertical Up	Horizontal, Vertical Down

W x H	Minimum Size	Maximum Size
Inches	4	24
mm	102	610

Options and Accessories

- Clean Wrap



Frame Dimensions	
Damper Model	Length
SSWDR-53 Standard Frame	3.25 in. (83mm)

SSWDR-53 Extended Frame	
Damper Diameter	Length "L"
5 in. - 10.999 in. (127mm - 279mm)	7.25 in. (184mm)
11 in. - 16.999 in. (279mm - 432mm)	10.25 in. (260mm)
17 in. - 24 in. (432mm - 610mm)	13.25 in. (336mm)

Pressure Drop Data

Ducted Inlet Ducted Outlet

6 in.		12 in.		24 in.	
Velocity (fpm)	Pressure (in. wg)	Velocity (fpm)	Pressure (in. wg)	Velocity (fpm)	Pressure (in. wg)
500	.233	500	.07	500	.045
1000	.321	1000	.135	1000	.132
1500	.444	1500	.228	1500	.252
2000	.601	2000	.392	2000	.448

Free Inlet Ducted Outlet

6 in.		12 in.		24 in.	
Velocity (fpm)	Pressure (in. wg)	Velocity (fpm)	Pressure (in. wg)	Velocity (fpm)	Pressure (in. wg)
500	.236	500	.072	500	.049
1000	.317	1000	.105	1000	.136
1500	.414	1500	.205	1500	.274
2000	.549	2000	.35	2000	.484

Leakage

Vertical Up Flow		
WDR-53	Leakage (cfm/ft ²)	
Damper Diameter	1 in. wg (0.25 kPa)	3 in. wg (.75 kPa)
12 in.	5.7	5.1
24 in.	4	5.4

Vertical Down Flow		
WDR-53	Leakage (cfm/ft ²)	
Damper Diameter	1 in. wg (0.25 kPa)	3 in. wg (.75 kPa)
12 in.	9.4	5.8
24 in.	3.9	5.5

Horizontal Flow		
WDR-53	Leakage (cfm/ft ²)	
Damper Diameter	1 in. wg (0.25 kPa)	3 in. wg (.75 kPa)
12 in.	4.9	4.9
24 in.	3.4	4.9



[INSTALLATION](#)



[CATALOG](#)



[SELECTION GUIDE](#)



[SPECIFICATIONS](#)



[WARRANTY](#)