

Application

TB-24 is a non-asbestos mineral wool thermal blanket. This mineral wool thermal blanket material is listed with UL to be used as an accessory to Greenheck's ceiling radiation dampers or to be used as a batt and blanket material.

Specifications

Size

24 in. x 24 in. x 1 1/2 in. (610mm x 610mm x 38mm)

Cut-out

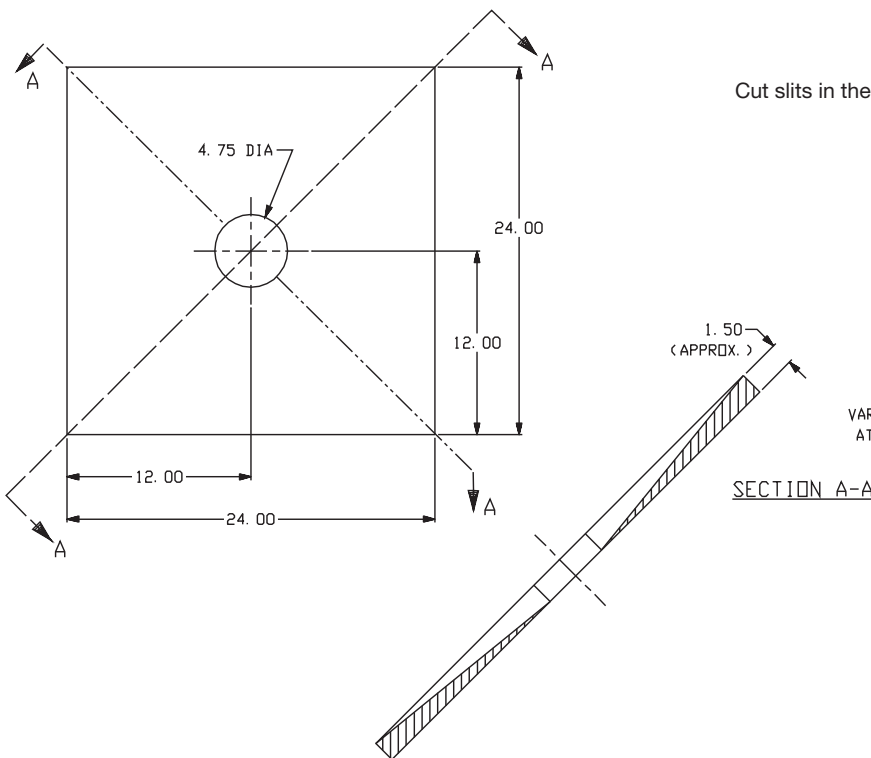
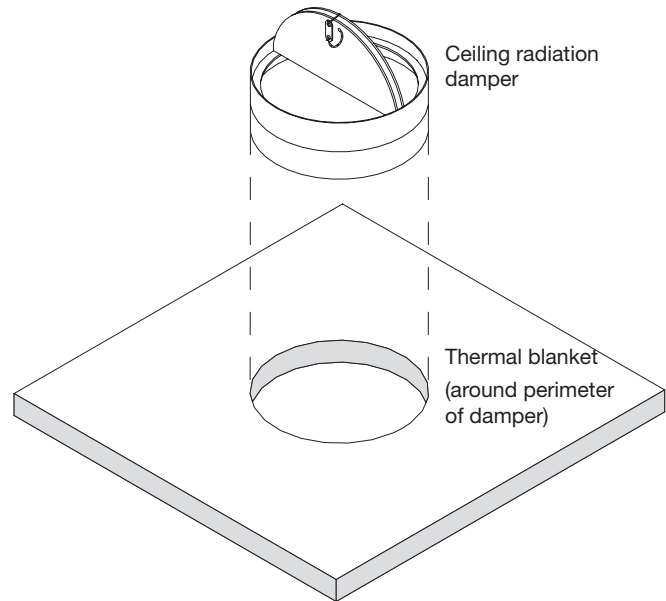
5 in. (127mm) diameter. May be cut for larger diffuser necks.

Material

Non-asbestos mineral wool

Density

3 1/2 lb/ft³ (56 kg/m³)



Cut slits in the blanket so it lays flat on top of the diffuser.